



Rev 09-08

Part No. 02983326P

# PART'S MANUAL



## ¡ATENCIÓN!

LEA EL INSTRUCTIVO

Si No Lee Ingles, Pida Ayuda a Alguien  
Que Si Lo Lea Para Que le Traduzca las  
Medidas de Seguridad.



An Operator's Manual was shipped with the equipment in the Manual Canister. This Operator's Manual is an integral part of the safe operation of this machine and must be maintained with the unit at all times. **READ, UNDERSTAND, and FOLLOW** the Safety and Operation Instructions contained in this manual before operating the equipment. If the Operator's Manual is not with the equipment, contact your dealer or Servis-Rhino (800-446-5158) to obtain a Free copy before operating the equipment.

## ALAMO INDUSTRIAL

1502 E. Walnut  
Seguin, Texas 78155  
210-372-3551





# TO THE OWNER/OPERATOR/DEALER

All implements with moving parts are potentially hazardous. There is no substitute for a cautious, safe-minded operator who recognizes the potential hazards and follows reasonable safety practices. The manufacturer has designed this implement to be used with all its safety equipment properly attached to minimize the chance of accidents.

## BEFORE YOU START!!

Read the safety messages on the implement and shown in your manual.  
Observe the rules of safety and common sense!

# ! DANGER

FAILING TO FOLLOW SAFETY MESSAGES AND OPERATING INSTRUCTION CAN CAUSE SERIOUS BODILY INJURY OR EVEN DEATH TO OPERATOR AND OTHERS IN THE AREA.

<b>1.</b> 	<b>2. NO RIDERS. NO CHILDREN OPERATORS</b> 	<b>3. USE SAFETY SHOES, HARD HAT, SAFETY GLASSES, SEAT BELTS, ROPS &amp; OPS.</b> 	<b>4. BLOCK UP SECURELY BEFORE WORKING UNDER.</b> 
------------------------------------------------------------------------------------------------	---------------------------------------------------------------------------------------------------------------------------------	-------------------------------------------------------------------------------------------------------------------------------------------------------------------------	------------------------------------------------------------------------------------------------------------------------------------------

1. Study and understand Operator's Manuals, Safety Decals, and Instructional Decals for tractor and implement to prevent misuse, abuse, and accidents. Practice before operating in a confined area or near passersby.
  - Learn how to stop engine suddenly in an emergency. Be alert for passersby and especially children.
2. Allow no children on or near folding mower or tractor. Allow no riders on tractor or implement. Falling off may cause serious injury or death from being run over by tractor or mower or contact with rotating blades.
3. Operate only with tractor having Roll-Over Protective Structure (ROPS) and with seat belt securely fastened to prevent injury and possible death from falling off or tractor overturn.
  - Personal Protective Equipment such as Hard Hat, Safety Glasses, Safety Shoes, & Ear Plugs are recommended.
4. Block up or support raised machine and all lifted components securely before putting hands or feet under or working underneath any lifted component to prevent crushing injury or death from sudden dropping or inadvertent operation of controls. Make certain area is clear before lowering or folding.
5. Before transporting, put Lift Lever in detent or full-lift position. Install Transport Safety Devices securely on folding mowers. Put Booms securely in Transport Rest.
  - Folding and Boom Mowers have raised center of gravity. Slow down when turning and on hillsides.
6. Make certain that SMV sign, warning lights, and reflectors are clearly visible. Follow local traffic codes.
7. Never operate with Cutting Head or Folding Section raised if passersby, bystanders, or traffic are in the area to reduce possibility of injury or death from objects thrown by Blades under Guards or mower structure.
8. Before dismounting, secure implement in transport position or lower to ground.
  - Put tractor in park or set brake, disengage PTO, stop engine, remove key, and wait until noise of rotation has ceased to prevent crushing by entanglement in rotating parts which could cause injury or death.
  - Never mount or dismount a moving vehicle. Crushing from runover may cause serious injury or death.

<b>5. TRANSPORT SAFELY, LOCK UP.</b> 	<b>6. USE SMV, LIGHTS, &amp; REFLECTORS.</b> 	<b>7. DO NOT OPERATE WITH CUTTER OR WING RAISED</b> 	<b>8. DO NOT MOUNT OR DISMOUNT WHILE MOVING.</b> 
-----------------------------------------------------------------------------------------------------------------------------	-------------------------------------------------------------------------------------------------------------------------------------	---------------------------------------------------------------------------------------------------------------------------------------------	-------------------------------------------------------------------------------------------------------------------------------------------

02967827

## WARRANTY INFORMATION:

Read and understand the complete Warranty Statement found in this Manual. Fill out the Warranty Registration Form in full and return it within 30 Days. Make certain the Serial Number of the Machine is recorded on the Warranty Card and on the Warranty Form that you retain. The use of "will-fit" parts will void your warranty and can cause catastrophic failure with possible injury or death.

# **PARTS SECTION**

## PARTS ORDERING GUIDE

The following instructions are offered to help eliminate needless delay and error in processing purchase orders for the equipment in this section.

1. The Parts Section is prepared in logical sequence and grouping of parts that belong to the basic machine featured in this manual. Part Numbers and Descriptions are given to help locate the parts and quantities required.
2. The Purchase Order must include the name and address of the person or organization ordering the parts, who should be charged, and if possible, the serial number of the machine for which the parts are ordered.
3. The Purchase Order must clearly list the quantity of each part, the complete and correct part number (be sure to include all periods), and the basic name of the part.
4. The Manufacturer reserves the right to substitute parts where applicable.
5. Some parts are unlisted items which are special production items not normally stocked and are subject to special handling. Request a quotation for such parts before sending a Purchase Order.
6. The Manufacturer reserves the right to change prices without prior notice.

**NOTE:** Please refer to The Safety Section in the front of this Manual for the proper Part Number when ordering Replacement Safety Decals.



For maximum safety and to guarantee optimum product reliability, always use genuine Servis-Rhino Parts. The use of inferior replacement parts may cause premature or catastrophic failure which could result in serious injury or death. Direct any questions regarding parts to:

**ALAMO INDUSTRIAL**

**ALAMO INDUSTRIAL**

1502 E. Walnut  
Seguin, Texas 78155  
830-379-1480



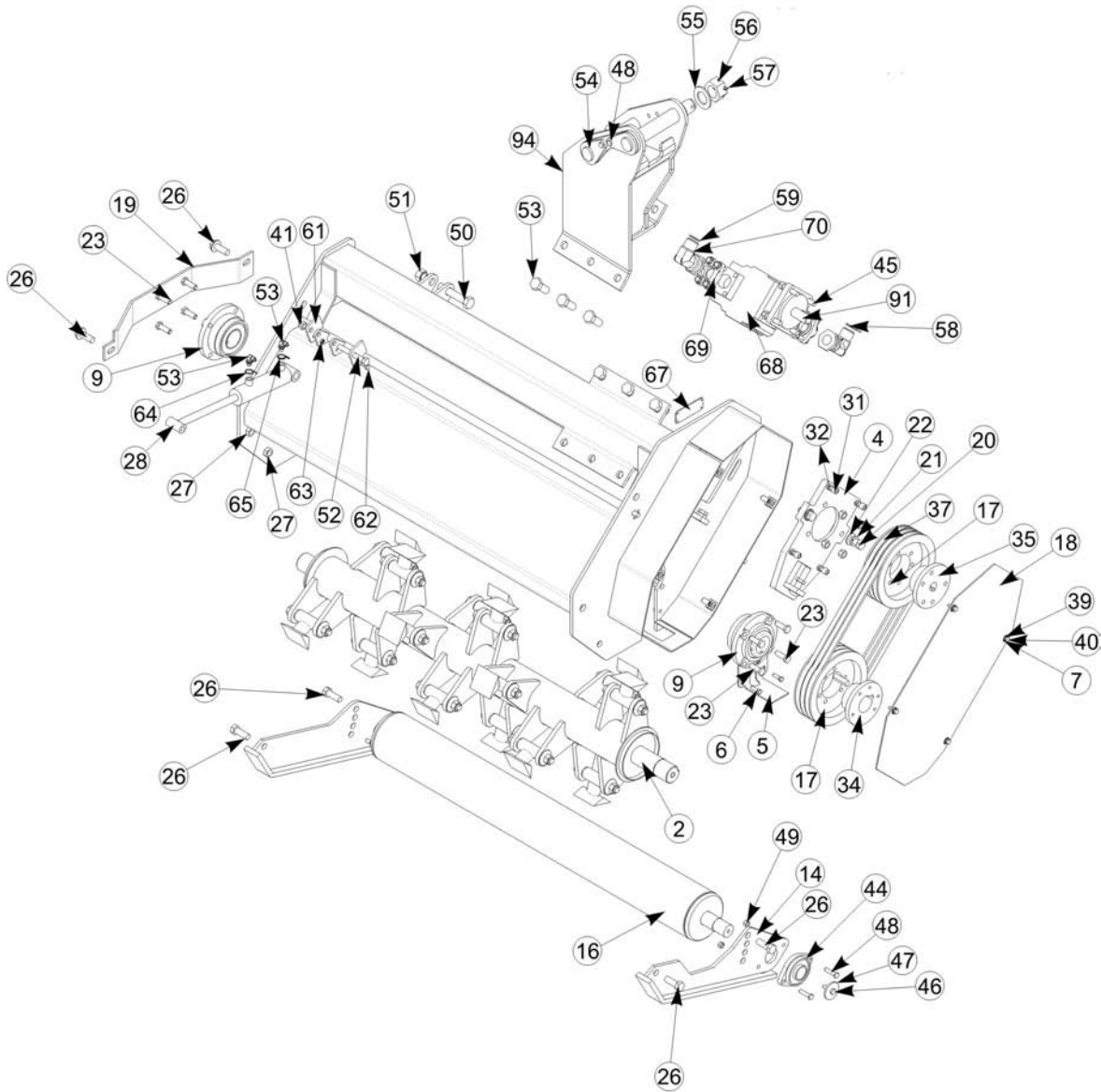
## PART NAME INDEX

48 IN FLAIL - HEAD ASY (SOLID MNT) (PART 1).....	5
48 IN FLAIL - HEAD ASY (SOLID MNT) (PART 2).....	7
48 IN FLAIL - HEAD ASY (SWIVEL MNT) (PART 1).....	9
48 IN FLAIL - HEAD ASY (SWIVEL MNT) (PART 2).....	11
48 IN FLAIL - HEAD ASY (SWIVEL MNT) (PART 3).....	13
48 IN FLAIL - HEAD ASY DECALS.....	15
60 IN ROTARY - BLADE BAR ASY.....	17
60 IN ROTARY - HEAD ASY (SOLID MNT).....	19
60 IN ROTARY - HEAD ASY (SWIVEL MNT).....	21
60 IN ROTARY - HEAD SUB-ASY (SOLID MNT).....	23
60 IN ROTARY - HEAD SUB-ASY (SWIVEL MNT).....	25
60 IN ROTARY - MOTOR (PARTS) - PN 02961747.....	27
60 IN ROTARY - MOTOR (W-FITTINGS) - PN 02961747.....	29
BOOM ASY - 18 FT BOOM - PN 02982733 (PART 1).....	31
BOOM ASY - 18 FT BOOM - PN 02982733 (PART 2).....	33
BOOM ASY - 22 FT BOOM - PN 02982736 (PART 1).....	35
BOOM ASY - 22 FT BOOM - PN 02982736 (PART 2).....	37
BOOM ASY - 25 FT BOOM - PN 02982739 (PART 1).....	39
BOOM ASY - 25 FT BOOM - PN 02982739 (PART 2).....	41
COMMON CRATE COMPONENTS - ELECT VALVE (PART 1).....	43
COMMON CRATE COMPONENTS - ELECT VALVE (PART 2).....	45
COMMON CRATE COMPONENTS - MAN VALVE (PART 1).....	47
COMMON CRATE COMPONENTS - MAN VALVE (PART 2).....	49
COUNTER WEIGHT W-DECALS.....	51
CUTTER CONTROL VALVE BLOCK - PN 02982553.....	52
DECALS - 18-22-25 FT BOOM.....	53
DECALS - 60 IN ROTARY HEAD - SOLID MNT.....	54
DECALS - 60 IN ROTARY HEAD - SWIVEL MNT.....	55
DECALS - HYD TANK & PUMP - ELECT VALVE.....	56
DECALS - HYD TANK & PUMP - MAN VALVE.....	57
DECALS - JOYSTICK OPERATION - PN 02983489.....	58
DECALS - SAFETY BOOK LISTING.....	59
DECALS - VALVE MAN HANDLE OPERATION - PN 02983408.....	61
DIVERTER VALVE - DOOR & SWIVEL - PN 02977622.....	62
FILTER ASY - RETURN - PN 02964748.....	63
FILTER ASY - PRESSURE - PN 02976066.....	64
FILTER ASY - PRESSURE - PN 02985280.....	65
HOSE ROUTING - 18 FT BOOM.....	67
HOSE ROUTING - 22 FT BOOM.....	69
HOSE ROUTING - 25 FT BOOM.....	71

## PART NAME INDEX

HOSE ROUTING - SWING CYL (18-22-25 FT BOOM).....	73
HYD CYL ASY - DIPPER (18 FT BOOM) - PN 02979920.....	75
HYD CYL ASY - HEAD SWIVEL (OPTIONAL) - PN 02981315.....	76
HYD CYL ASY - LIFT (18-22-25 FT BOOM) - PN 02981279.....	77
HYD CYL ASY - SWING W/ SPHERICAL ROD END - PN 02981275A.....	78
HYD CYL ASY - SWING W/ TUBE ROD END - PN 02981275.....	79
HYD CYL ASY - TILT (18-22-25 FT BOOM) - PN 02981280.....	80
HYD OIL COOLER & FAN ASY - PN 02981377.....	81
HYD SCHEMATIC - SOLID MNT HEAD (STD) - 18-22-25 FT BOOM.....	82
HYD SCHEMATIC - SWIVEL MNT HEAD (OPT) - 18-22-25 FT BOOM.....	83
HYD TANK SUB-ASY - PN 02982882.....	85
HYD TANK W-PUMP & ELECT VALVE ASY - P/N 02983488.....	87
HYD TANK W-PUMP & MAN VALVE ASY - P/N 02983487.....	89
HYD VALVE CABLE & MOUNTING KIT.....	91
JOYSTICK CONSOLE ASY - PN 02983014.....	93
PUMP ASY (PARTS) - PN 02982575.....	95
PUMP-TANK-VALVE COVER - PN 02981381.....	97
UNDER MOUNT FRAME ASY - PN 02981779.....	99
VALVE ASSEMBLY - ELECTRO-HYDRAULIC VALVE - P/N 02982576.....	101
VALVE ASSEMBLY - MANUAL-HYDRAULIC VALVE - P/N 02985870.....	102
WIRE HARNESS (ELECT-HYD VALVE OPT) - PN 02982923.....	103
WIRE HARNESS (MAN-HYD VALVE STD) - PN 02982922.....	105
WIRE HARNESS - JOYSTICK RESISTER (OPT) - PN 02981990.....	107

# 48 IN FLAIL - HEAD ASY (SOLID MNT) (PART 1)





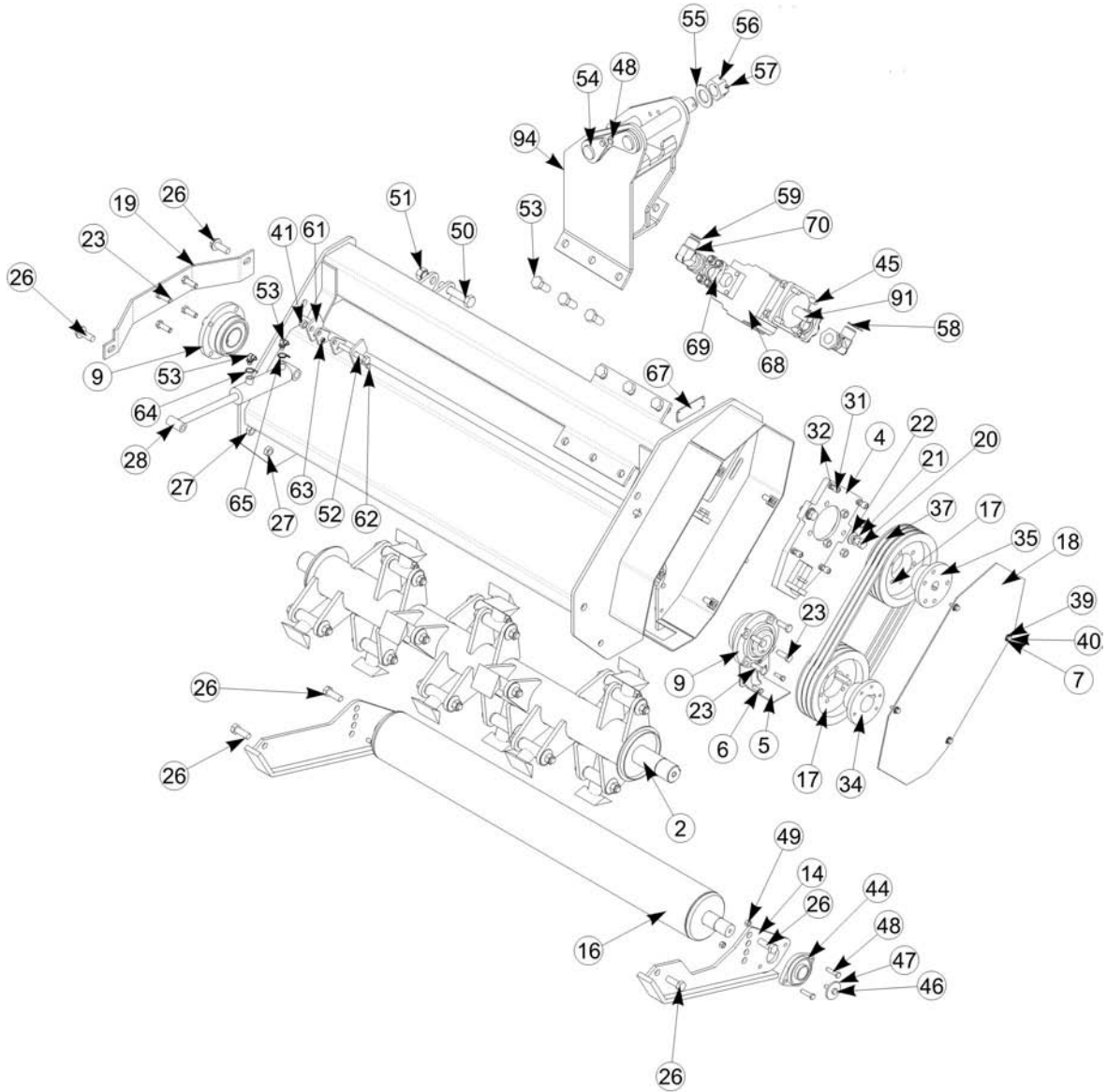
## 48 IN FLAIL - HEAD ASY (SOLID MNT) (PART 1)

Continued...

ITEM	PART NO.	QTY.	DESCRIPTION
	02983542	1	ASY,48" FLAIL AXE, GEAR
1	02970301	1	WLDMT, FLAIL AXE HEAD
2	02957655M	1	ASY, CUTTERSHAFT, 48" F/A
3	02970465	1	WLDMT DOOR, 48" FLAIL AXE
4	02973544	1	WLDMT, MOTOR MOUNT
5	02970709	1	PLATE, COVER FLAIL AXE
6	10119000	2	HHCS 5/16 NC 1 PL5
7	00023500	6	FLATWASHER 5/16, TYPE AW, ZP
8	00750940	2	NUT, TOPLOCK 5/16 NC PL B
9	02958131A	2	FLANG BEARING ASY
10	02956714	1	CLAMP BAR
11	02956712	1	RUBBER FLAP
12	02970326	1	ROD-HINGE, F/A DOOR
13	02958198	1	1/2 X 1/2 X 1 7/8 LG
14	02970585	1	WLDM SKIDSHOE INSIDE FLAIL AXE
15	02956748	1	SKID SHOE WLDMT
16	02970540	1	WLDMT - REAR ROLLER
17	02967325	2	PULLEY, 3G5V - 8.50 DIA
18	02970325	1	PLATE-BELT & PULLEY COVER
19	02972442	1	FLAIL AXE BEARING GUARD
20	02675800	2	HHCS 5/8 X 1-1/2 PL GR5
21	00010300	2	LOCKWASHER 5/8
22	00001400	4	FLATWASHER 5/8 PL STD
23	00019300	8	HHCS 1/2 X 1-1/2 NF GR5 PL
24	000642	8	LOCKNUT TLM 1/2 NC PLB
25	00752670	1	GREASE FITTING 1/4-28 BOLT THD
26	00008300	6	BOLT, HHCS 5/8" NC X 1-3/4" PL5
27	00695100	5	LOCKNUT TOPLOCK 5/8NC PLB
28	02970710A	1	CYL, DOOR, 48" F/A
29	02970324	1	PLATE-CLAMP, HITCHPOST
30	000941	1	GREASE ZERK 1/4-28 90 BOLT THD
31	02970583	4	SHCS 3/8 NF 1-1/2 PL GR5
32	23504500	8	JAMNUT 3/8 NF
33	03200925	1	CARR 5/8 NC X 3 PL GR5
34	02967328	1	BUSHIN, QD HUB SF 1-15/16 ID
35	02970537	1	BUSHING, QD HUB SF 1 ID
36	00013500	3	NUT, 3/8 NC JAMNUT
37	02970539	3	V BELT
38	02956768	2	PIN, ROLL 5/32X1
39	00011700	4	LOCKWASHER 5/16 PL STD
40	00035900	4	HHCS 5/16 NC X 3/4 GR5

Axtreme Boom 18-22-25 ft (08-06) Rev 09-08

# 48 IN FLAIL - HEAD ASY (SOLID MNT) (PART 2)

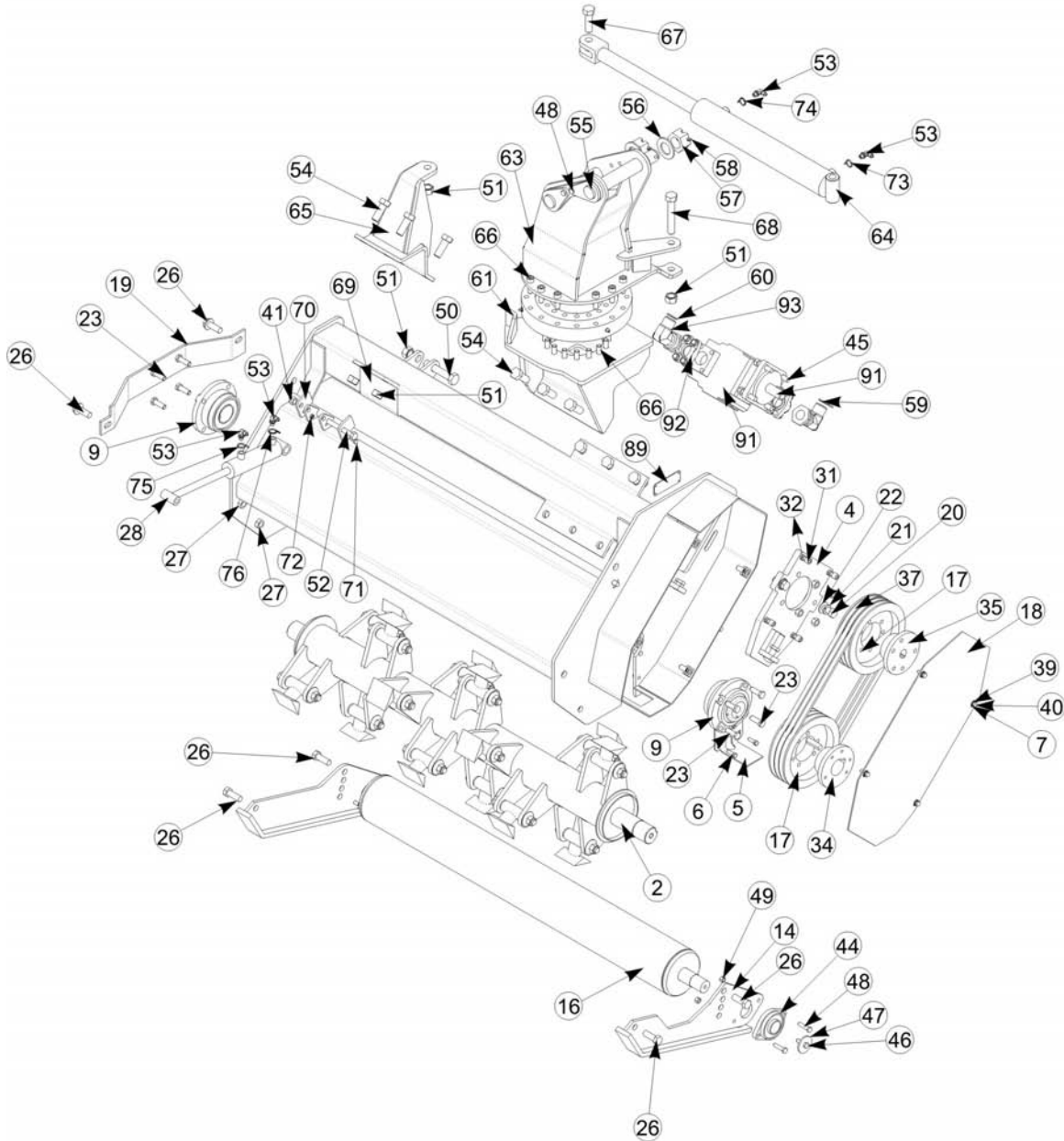


## 48 IN FLAIL - HEAD ASY (SOLID MNT) (PART 2)

Continued...

ITEM	PART NO.	QTY.	DESCRIPTION
41	00001800	12	LOCKNUT TLM 1/2 NC PLB
42	00002700	7	FLATWASHER, 1/2 PL STD
43	02892000	7	HHCS 1/2 X 1-1/2 NC GR8 PL
44	02957041	2	ROLLER BEARING & FLANGE
45	00013300	4	BOLT, HHCS 1/2" NC X 2" PL5
46	00753642	2	HHCS 3/8 NC 1-1/4 PL5
47	02970586	2	WASHER, 2 X 7/16 X 3/16
48	00023100	6	HHCS 3/8 X 1-1/2 NC PL GR5
49	00015800	6	LOCKNUT TLM 3/8 NC PLC
50	00003300	1	HHCS 3/4" X 4" LG
51	00037200	8	NUT 3/4 NC LOCKNUT
52	00008200	1	BOLT, HHCS 1/2" NC X 3-3/4" PL5
54	02918600	6	HHCS 3/4 NC 2 PL8
55	02981757	2	WELDMENT, PIN, HITCH POST
56	02971702	2	FLATWASHER, 1-3/8 TYPE B PL NARROW
57	02971701	2	NUT, SLOTTED 1-3/8 12NF PLB
58	165020	2	PIN, COTTER 5/16 X 2-1/2 PL
59	02968896	1	PLASTIC TIE, ORANGE, 11LG
60	02968894	1	PLASTIC TIE, RED, 11LG
70	02984470	2	STOP, FLAIL AXE SWIVEL
71	00021400	2	BOLT, HHCS 1/4" NC X 3/4" PL
72	02959924	2	NUT, TOPLOCK 1/4 NC PLB
75	02968836	1	PLASTIC TIE, YELLOW
76	02968837	1	PLASTIC TIE, YELLOW & WHITE
88	3710151	4	METAL TACK
89	02971498	1	PLATE, S/N FLAIL AXE 48"
91	02987315	1	MOTOR, GEAR 3.0 CU/IN F/A
92	00749103	2	#20 SPLIT FLANGE KIT
93	02985030	2	ADP HYD 20FL-20MJ FLANGE

# 48 IN FLAIL - HEAD ASY (SWIVEL MNT) (PART 1)

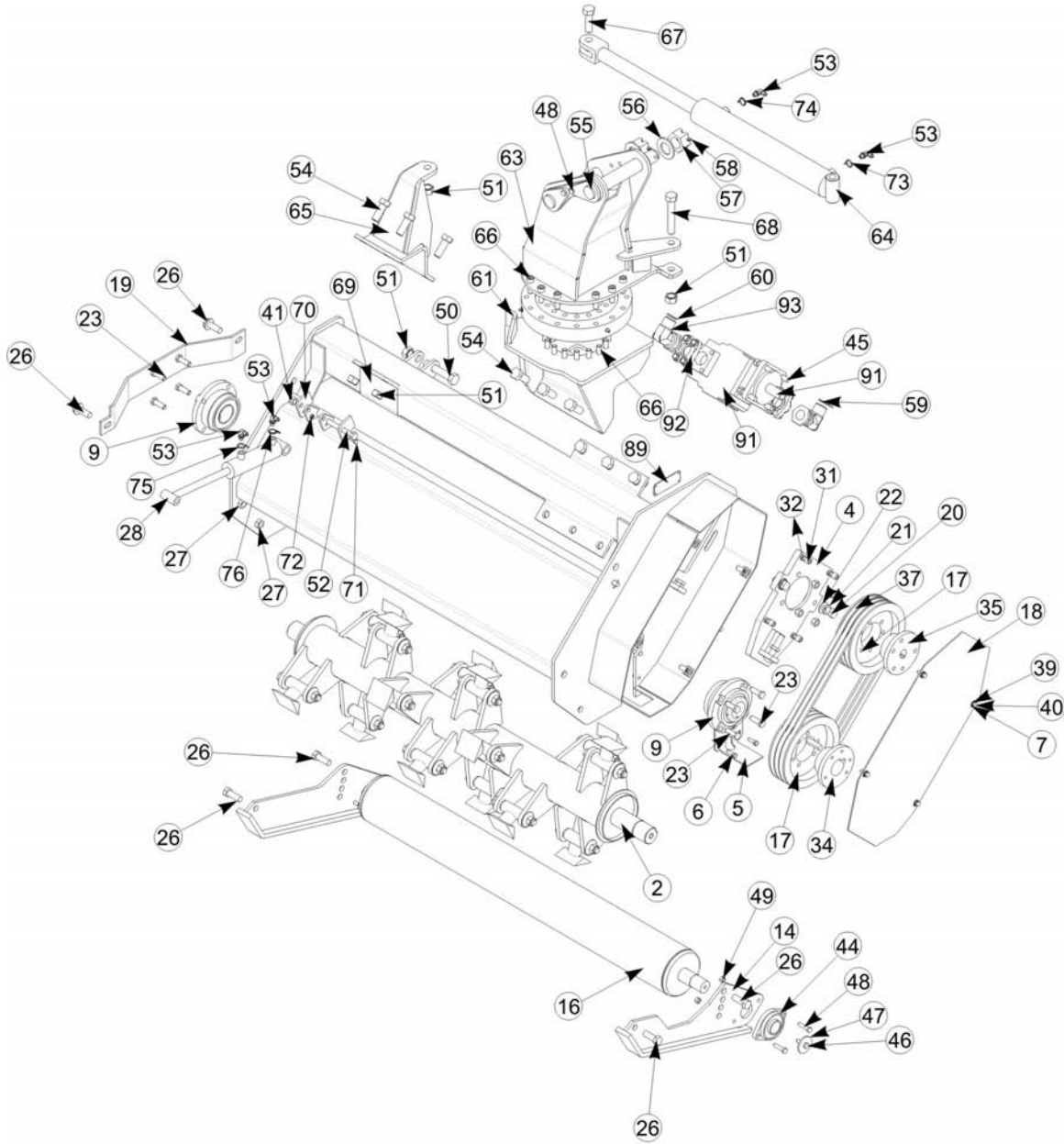


## 48 IN FLAIL - HEAD ASY (SWIVEL MNT) (PART 1)

Continued...

ITEM	PART NO.	QTY.	DESCRIPTION
1	02970301	1	WLDMT, FLAIL AXE HEAD
2	02957655M	1	ASY, CUTTERSHAFT, 48" F/A
3	02970465	1	WLDMT DOOR, 48" FLAIL AXE
4	02973544	1	WLDMT, MOTOR MOUNT
5	02970709	1	PLATE, COVER FLAIL AXE
6	10119000	2	HHCS 5/16 NC 1 PL5
7	00023500	6	FLATWASHER 5/16, TYPE AW, ZP
8	00750940	2	NUT, TOPLOCK 5/16 NC PL B
9	02958131A	2	FLANG BEARING ASY
10	02956714	1	CLAMP BAR
11	02956712	1	RUBBER FLAP
12	02970326	1	ROD-HINGE, F/A DOOR
13	02958198	1	1/2 X 1/2 X 1 7/8 LG
14	02970585	1	WLDM SKIDSHOE INSIDE FLAIL AXE
15	02956748	1	SKID SHOE WLDMT
16	02970540	1	WLDMT - REAR ROLLER
17	02967325	2	PULLEY, 3G5V - 8.50 DIA
18	02970325	1	PLATE-BELT & PULLEY COVER
19	02972442	1	FLAIL AXE BEARING GUARD
20	02675800	2	HHCS 5/8 X 1-1/2 PL GR5
21	00010300	2	LOCKWASHER 5/8
22	00001400	4	FLATWASHER 5/8 PL STD
23	00019300	8	HHCS 1/2 X 1-1/2 NF GR5 PL
24	000642	8	LOCKNUT TLM 1/2 NC PLB
25	00752670	1	GREASE FITTING 1/4-28 BOLT THD
26	00008300	6	BOLT, HHCS 5/8" NC X 1-3/4" PL5
27	00695100	5	LOCKNUT TOPLOCK 5/8NC PLB
28	02970710A	1	CYL, DOOR, 48" F/A
29	02970324	1	PLATE-CLAMP, HITCHPOST
30	000941	1	GREASE ZERK 1/4-28 90 BOLT THD
31	02970583	4	SHCS 3/8 NF 1-1/2 PL GR5
32	23504500	8	JAMNUT 3/8 NF
33	03200925	1	CARR 5/8 NC X 3 PL GR5
34	02967328	1	BUSHIN, QD HUB SF 1-15/16 ID
35	02970537	1	BUSHING, QD HUB SF 1 ID
36	00013500	3	NUT, 3/8 NC JAMNUT
37	02970539	3	V BELT
38	02956768	2	PIN, ROLL 5/32X1
39	00011700	4	LOCKWASHER 5/16 PL STD
40	00035900	4	HHCS 5/16 NC X 3/4 GR5

# 48 IN FLAIL - HEAD ASY (SWIVEL MNT) (PART 2)

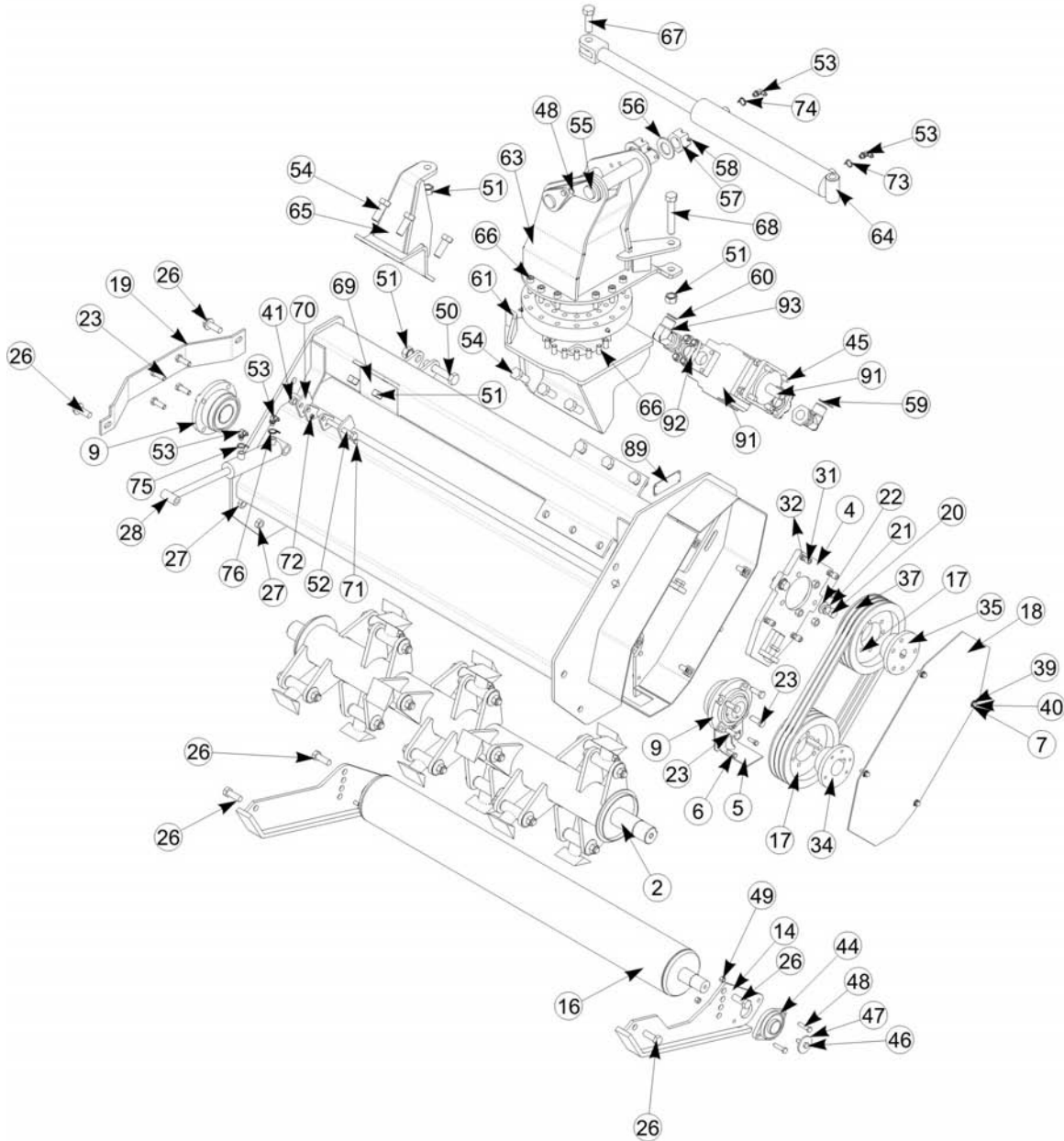


## 48 IN FLAIL - HEAD ASY (SWIVEL MNT) (PART 2)

Continued...

ITEM	PART NO.	QTY.	DESCRIPTION
41	00001800	12	LOCKNUT TLM 1/2 NC PLB
42	00002700	7	FLATWASHER, 1/2 PL STD
43	02892000	7	HHCS 1/2 X 1-1/2 NC GR8 PL
44	02957041	2	ROLLER BEARING & FLANGE
45	00013300	4	BOLT, HHCS 1/2" NC X 2" PL5
46	00753642	2	HHCS 3/8 NC 1-1/4 PL5
47	02970586	2	WASHER, 2 X 7/16 X 3/16
48	00023100	6	HHCS 3/8 X 1-1/2 NC PL GR5
49	00015800	6	LOCKNUT TLM 3/8 NC PLC
50	00003300	1	HHCS 3/4" X 4" LG
51	00037200	13	NUT 3/4 NC LOCKNUT
52	00008200	1	BOLT, HHCS 1/2" NC X 3-3/4" PL5
53	02960018	4	ADP, HYD, ELBOW, 4MB-4MJ90
54	02918600	10	HHCS 3/4 NC 2 PL8
55	02981757	2	WELDMENT, PIN, HITCH POST
56	02971702	2	FLATWASHER, 1-3/8 TYPE B PL NARROW
57	02971701	2	NUT, SLOTTED 1-3/8 12NF PLB
58	165020	2	PIN, COTTER 5/16 X 2-1/2 PL
59	02968896	1	PLASTIC TIE, ORANGE, 11LG
60	02968894	1	PLASTIC TIE, RED, 11LG
61	02984370	1	ADP, SWIVEL, FLAIL AXE
62	02981318	1	BEARING, 12OD X 5.8ID
63	02981741	1	WELDMENT, HITCH POST, MAVERICK
64	02981315	1	CYLINDER, 2.5B X 1.5R X 14.38S
65	02984374	1	WLDMNT, SWIVEL, CYL BRKT
66	02981820	28	SHCS 1/2 NC X 1 1/2" LG PL8
67	02963646	1	HHCS 3/4 NC 2-1/2 PL8
68	00754105	1	HHCS 3/4 NC 4 1/2 PL8
69	02984382	1	CLAMP, PLATE, SWIVEL
70	02984470	2	STOP, FLAIL AXE SWIVEL
71	00021400	2	BOLT, HHCS 1/4" NC X 3/4" PL
72	02959924	2	NUT, TOPLOCK 1/4 NC PLB
73	02968832	1	PLASTIC TIE, GREEN
74	02968833	1	PLASTIC TIE, GREEN & WHITE
75	02968836	1	PLASTIC TIE, YELLOW
76	02968837	1	PLASTIC TIE, YELLOW & WHITE
77	002369	1	DECAL, DANGER, MULTI-HAZARD
78	02965141	1	DECAL, DANGER THROWN OBJ
79	02967668	1	DECAL, DANGER, SAFETY SHIELD
80	02967867	1	DECAL, DANGER SAFETY SHIELD
81	00725739	1	DECAL WARN. SHEILD&GUARDS

# 48 IN FLAIL - HEAD ASY (SWIVEL MNT) (PART 3)



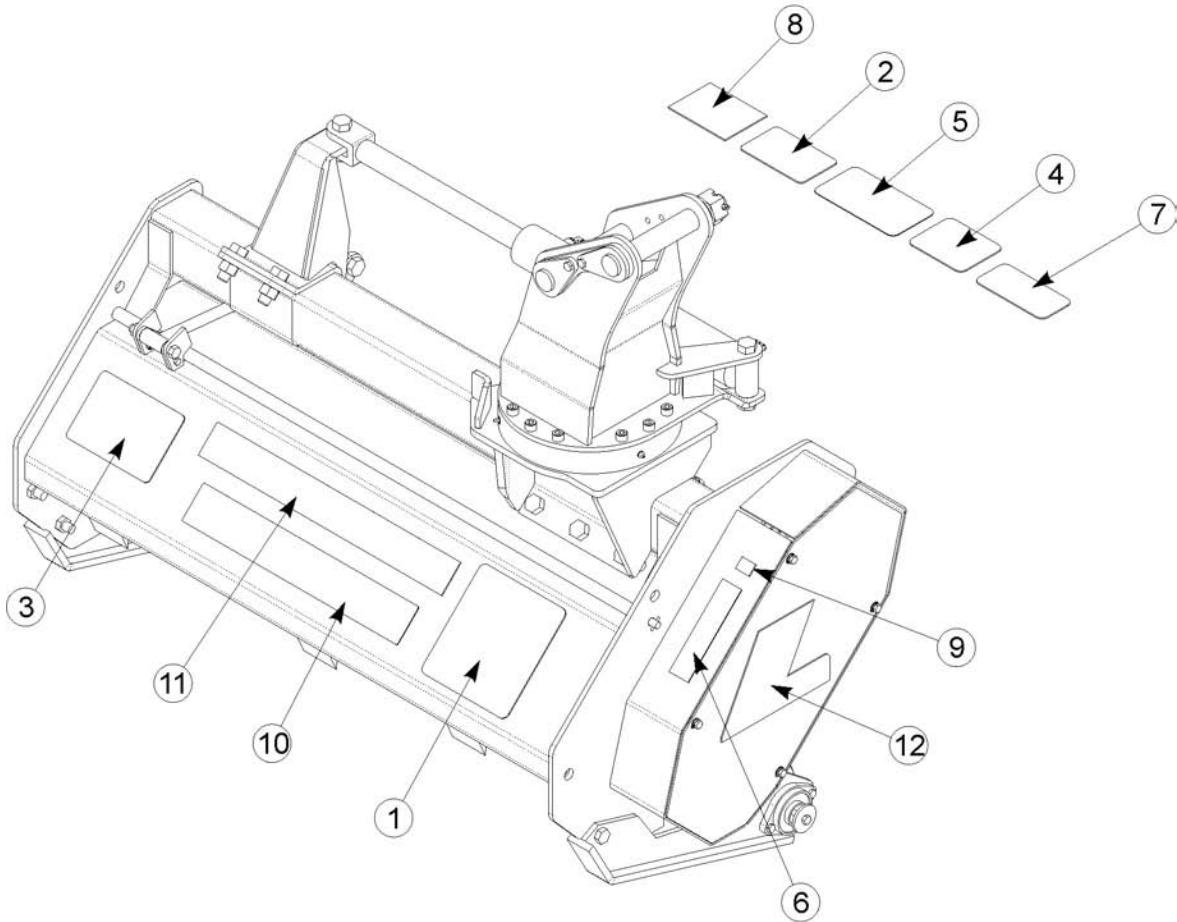


## 48 IN FLAIL - HEAD ASY (SWIVEL MNT) (PART 3)

Continued...

ITEM	PART NO.	QTY.	DESCRIPTION
82	00758194	1	DECAL,WARNING BELT SHIELD
83	02925100	1	DECAL-REPLACEMENT PARTS
84	000108	1	DECAL-OPERATING INSTRUCTIONS
85	000678	1	DECAL- GREASE FITTING INSIDE
86	00757139	1	DECAL, ALAMO INDUSTRIAL
87	02970887	1	DECAL, FLAIL AXE 48
88	3710151	4	METAL TACK
89	02971498	1	PLATE,S/N 48 FLAIL AXE
90	02979551	1	DECAL, ALAMO IND. SQ. GREEN &
91	02987315	1	MOTOR, GEAR 3.0 CU/IN F/A
92	00749103	2	SPLIT FLG KIT #20
93	02985030	2	ADP HYD 20FL-20MJ FLANGE

# 48 IN FLAIL - HEAD ASY DECALS

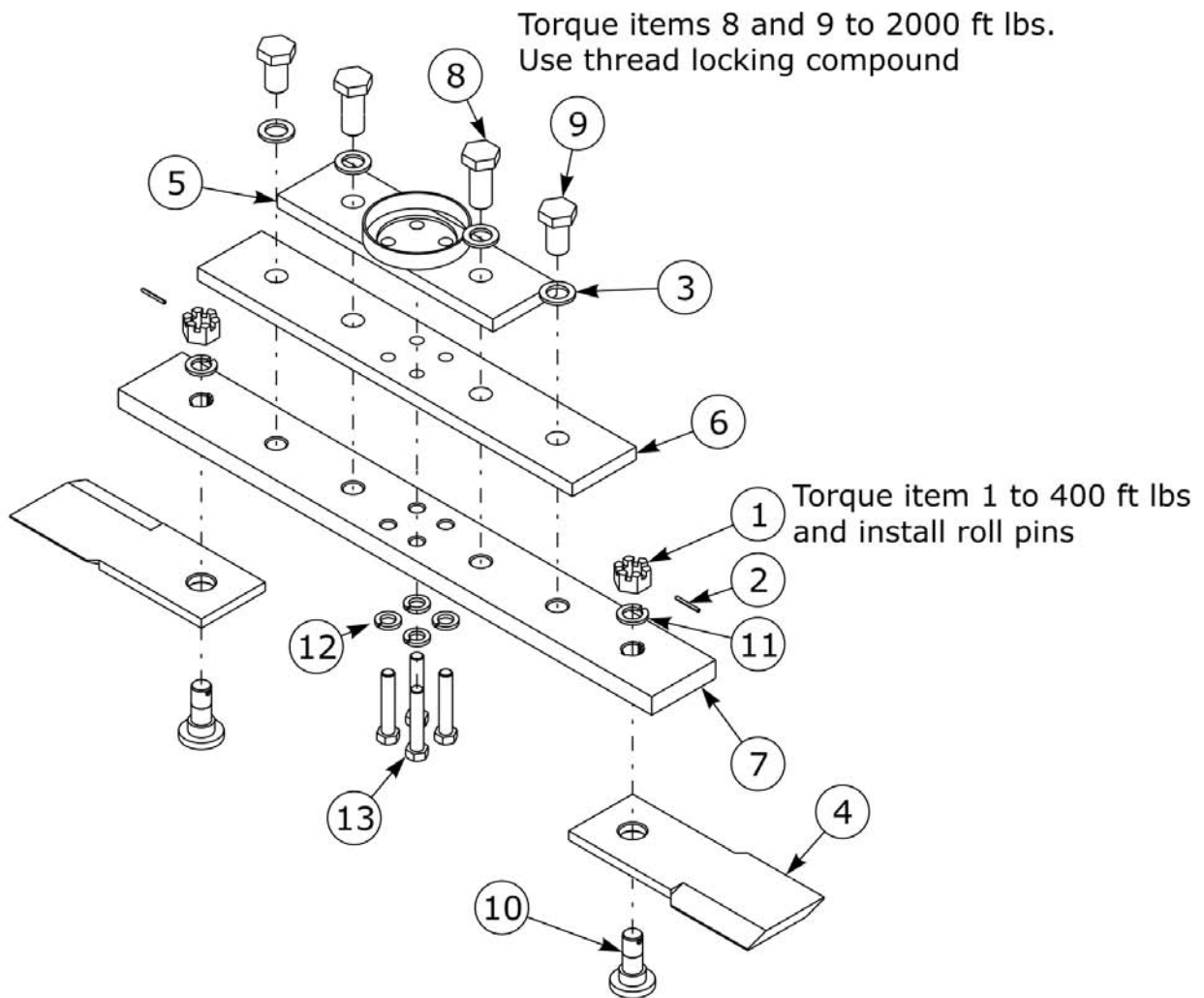


## 48 IN FLAIL - HEAD ASY DECALS

Continued...

ITEM	PART NO.	QTY.	DESCRIPTION
1	002369	1	DECAL, DANGER, MULTI-HAZARD
2	02965141	1	DECAL, DANGER THROWN OBJ
3	02967668	1	DECAL, DANGER, SAFETY SHIELD
4	02967867	1	DECAL, DANGER SAFETY SHIELD
5	00725739	1	DECAL WARN. SHEILD&GUARDS
6	00758194	1	DECAL, WARNING, BELT SHIELD
7	02925100	1	DECAL, REPLACEMENT PARTS
8	000108	1	DECAL, INSTRUC, FLAIL OPER
9	000678	1	DECAL, GREASE FITTING INSIDE
10	00757139	1	DECAL, LOGO (ALAMO BY T.K.)
11	02970887	1	DECAL, LOGO, FLAIL AXE 48"
12	3710151	4	METAL TACK
13	02971498	1	PLATE, S/N FLAIL AXE 48"
14	02979551	1	DECAL, ALAMO INDUSTRIAL LOGO

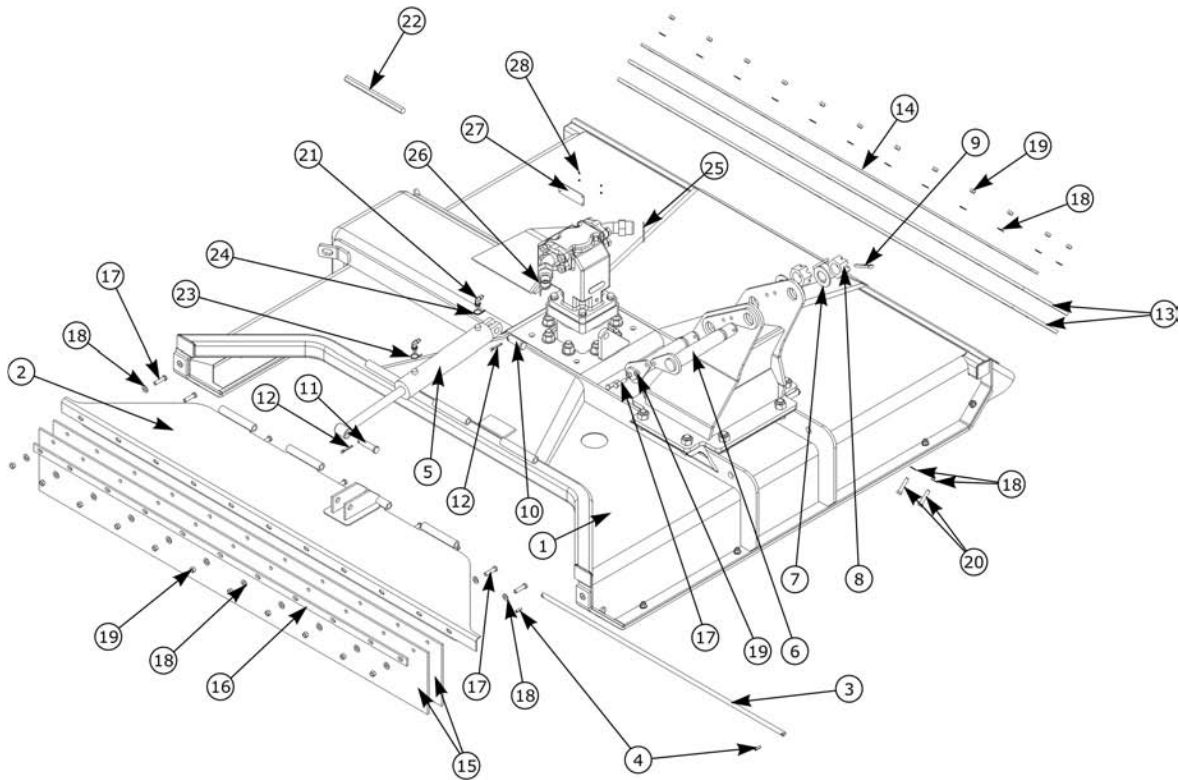
# 60 IN ROTARY - BLADE BAR ASY



ITEM	PART NO.	QTY.	DESCRIPTION
	02969230	1	BLADE BAR ASY, W/ BLADES
1	00020900	2	HEX SLOTTED NUT, HVY 1-1/8"-NF PL GR5
2	00023200	2	ROLL PIN, 3/16" X 1-3/4"
3	02969234	4	FLATWASHER, 1-1/4" HARDENED PL
4	02761500	1	BLADE SET, MATCHED SET OF TWO
5	02971387	1	LEAF BLADE BAR, TOP
6	02969232	1	LEAF BLADE BAR, MIDDLE
7	02969233	1	LEAF BLADE BAR, BOTTOM
8	02969235	2	BOLT, HEX HEAD 1-1/4"-NC X 3" PL GR8
9	02969236	2	BOLT, HEX HEAD 1-1/4"-NC X 2-1/4" PL GR8
10	02782900	2	BLADE BOLT, SHOULDERED
11	02957089	2	LOCKWASHER, 1-1/8" PL STD
12	00003901	4	LOCKWASHER, 3/4" PL HEAVY
13	02964861	4	BOLT, SOCKET HEAD 3/4"-NC X 4" PL GR8
14	02984572	1	BLADE BOLTS, NUTS, ROLLPIN KIT (INCLUDES 2 EACH OF ITEMS 1, 2, & 10)

**THIS PAGE INTENTIONAL LEFT BLANK**

# 60 IN ROTARY - HEAD ASY (SOLID MNT)

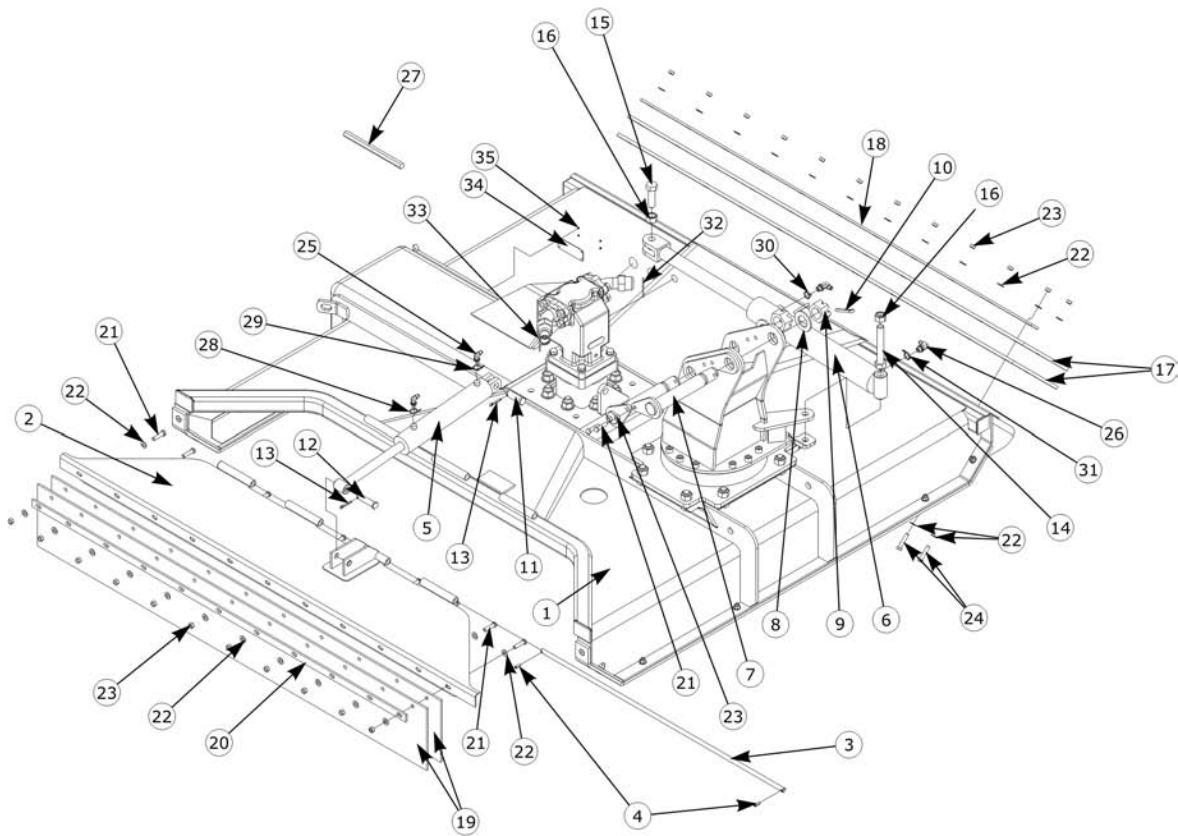


## 60 IN ROTARY - HEAD ASY (SOLID MNT)

Continued...

ITEM	PART NO.	QTY.	DESCRIPTION
	02983222	1	60 IN ROTARY HEAD ASY, W/ STD SOLID MOUNT
1	02983221	1	60 IN HEAD SUB-ASY
2	02971963	1	DOOR WELDMENT
3	02967782	1	HINGE ROD
4	99338S	2	ROLL PIN, 1/4" X 3/4"
5	02961480A	1	CYL ASY, 2" BORE X 9-1/4" STROKE
6	02981757	2	PIN WELDMENT, HITCH POST
7	02971702	2	FLATWASHER, 1-3/8" TYPE B NARROW
8	02971701	2	HEX SLOTTED NUT, 1-3/8"-12NF PLB
9	165020	2	COTTER PIN, 5/16" X 2-1/2" PL
10	651102	1	PIN, DRILLED
11	02976448	1	PIN, 5/8" X 2-1/2" DRILLED
12	00755153	2	COTTER PIN, 3/16" X 1-1/2" PLATED
13	02885700	2	REAR FLAP 10" X 63" X 3/8" THK
14	02885800	1	REAR CLAMP BAR
15	00759862	2	SHIELD, DEBRIS DEFLECTOR REAR C
16	00756875	1	FLAP, HOLD DOWN BAR
17	00023100	13	BOLT, HEX HEAD 3/8"-16NC X 1-1/2" PL GR5
18	00011100	46	FLATWASHER, 3/8" PL STD
19	00015800	25	LOCKNUT, 3/8"-NC PLB
20	00007000	12	BOLT, HEX HEAD 3/8"-NC X 1-3/4" PL GR5
21	02960018	2	ADAPTER, HYD ELBOW
22	02767500	1	HEX WRENCH, 5/8" MODIFIED
23	02968836	1	PLASTIC TIE, 4" LG - YELLOW
24	02968837	1	PLASTIC TIE, 4" LG - YELLOW & WHITE
25	02968894	1	PLASTIC TIE, 11" LG - RED
26	02968896	1	PLASTIC TIE, 11" LG - ORANGE
27	----N/S----	1	S/N PLATE (NON-SALEABLE ITEM)

# 60 IN ROTARY - HEAD ASY (SWIVEL MNT)



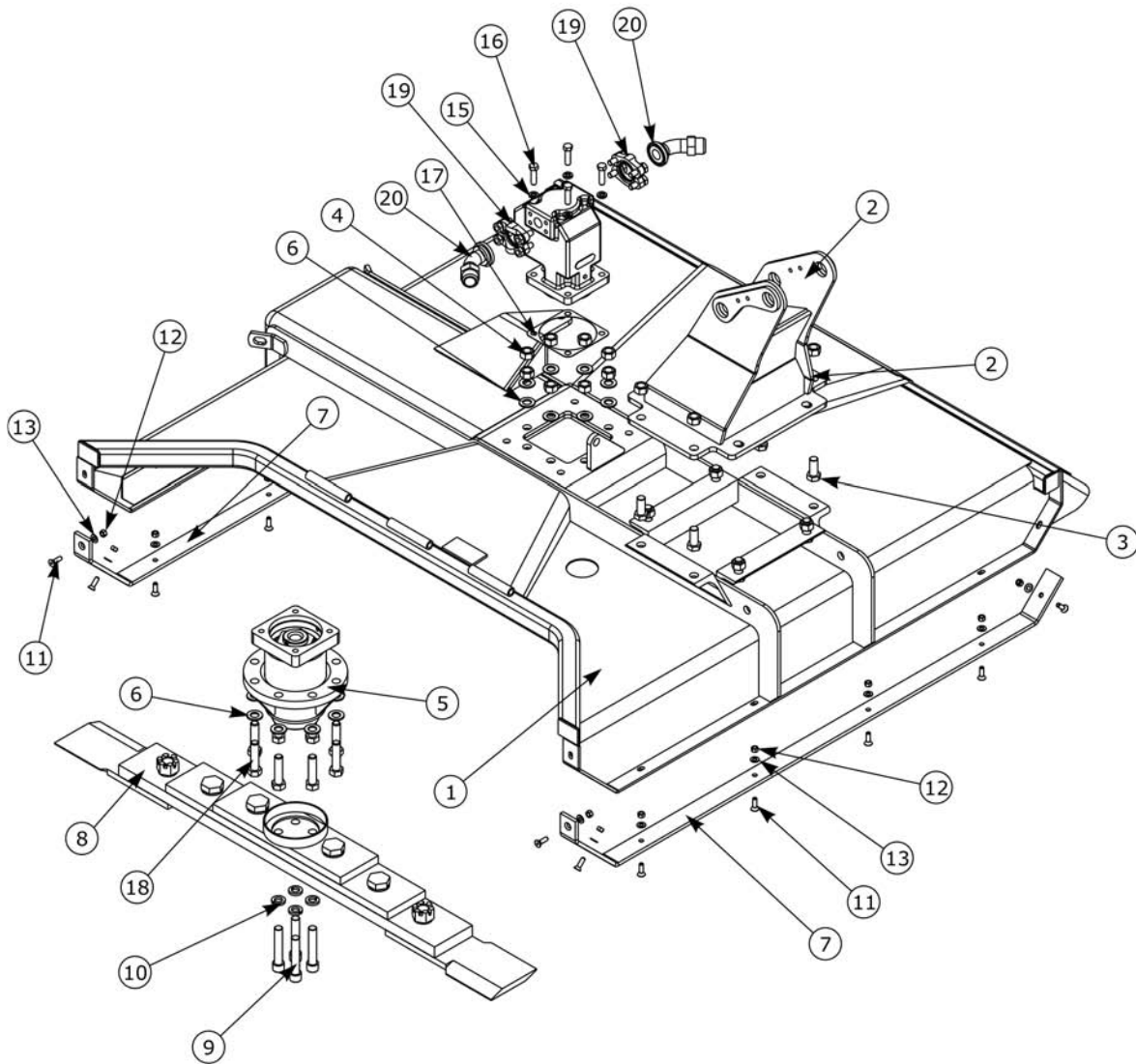


## 60 IN ROTARY - HEAD ASY (SWIVEL MNT)

Continued...

ITEM	PART NO.	QTY.	DESCRIPTION
	02983208	1	60" ROTARY HEAD ASY, OPT SWIVEL MOUNT
1	02983207	1	60" ROTARY HEAD SUB ASY
2	02971963	1	DOOR WELDMENT
3	02967782	1	HINGE ROD
4	99338S	2	ROLL PIN, 1/4" X 3/4"
5	02961480A	1	CYL ASY, 9-1/4" STROKE
6	02981315	1	CYL ASY, 14-3/4" STROKE
7	02981757	2	PIN WELDMENT, HITCH POST
8	02971702	2	FLATWASHER, 1-3/8" TYPE B NARROW
9	02971701	2	HEX SLOTTED NUT, 1-3/8"-12NF PLB
10	165020	2	COTTER PIN, 5/16" X 2-1/2" PL
11	651102	1	PIN, DRILLED
12	02976448	1	PIN, DRILLED 5/8" X 2-1/2"
13	00755153	2	COTTER PIN, 3/16" X 1-1/2" PLATED
14	02960916	1	BOLT, HEX HEAD 3/4"-NC X 5" PL GR8
15	02963646	1	BOLT, HEX HEAD 3/4"-NC X 2-1/2" PL GR8
16	00037200	2	LOCKNUT, 3/4"-NC PLC
17	02887500	2	REAR FLAP, 10" X 63" X 3/8" THK
18	02885800	1	REAR CLAMP BAR
19	00759862	2	SHIELD, DEBRIS DEFLECTOR REAR C
20	00756875	1	FLAP HOLD DOWN BAR
21	00023100	13	BOLT, HEX HEAD 3/8"-16NC X 1-1/2" PL GR5
22	00011100	46	FLATWASHER, 3/8" PL STD
23	00015800	25	LOCKNUT, 3/8"-NC PLB
24	00007000	12	BOLT, HEX HEAD 3/8"-NC X 1-3/4" PL GR5
25	02960018	2	ADAPTER, HYD ELBOW
26	03200762	2	ADAPTER, HYD ELBOW 6MB - 4MJ 90 DEG
27	02767500	1	HEX WRENCH, 5/8" MODIFIED
28	02968836	1	PLASTIC TIE, 4" LG - YELLOW
29	02968837	1	PLASTIC TIE, 4" LG - YELLOW & WHITE
30	02968832	1	PLASTIC TIE, 4" LG - GREEN
31	02968833	1	PLASTIC TIE, 4" LG - GREEN & WHITE
32	02968894	1	PLASTIC TIE, 11" LG - RED
33	02968896	1	PLASTIC TIE, 11" LG - ORANGE
34	----N/S----	1	S/N PLATE (REF ONLY NON-SALEABLE ITEM)

# 60 IN ROTARY - HEAD SUB-ASY (SOLID MNT)

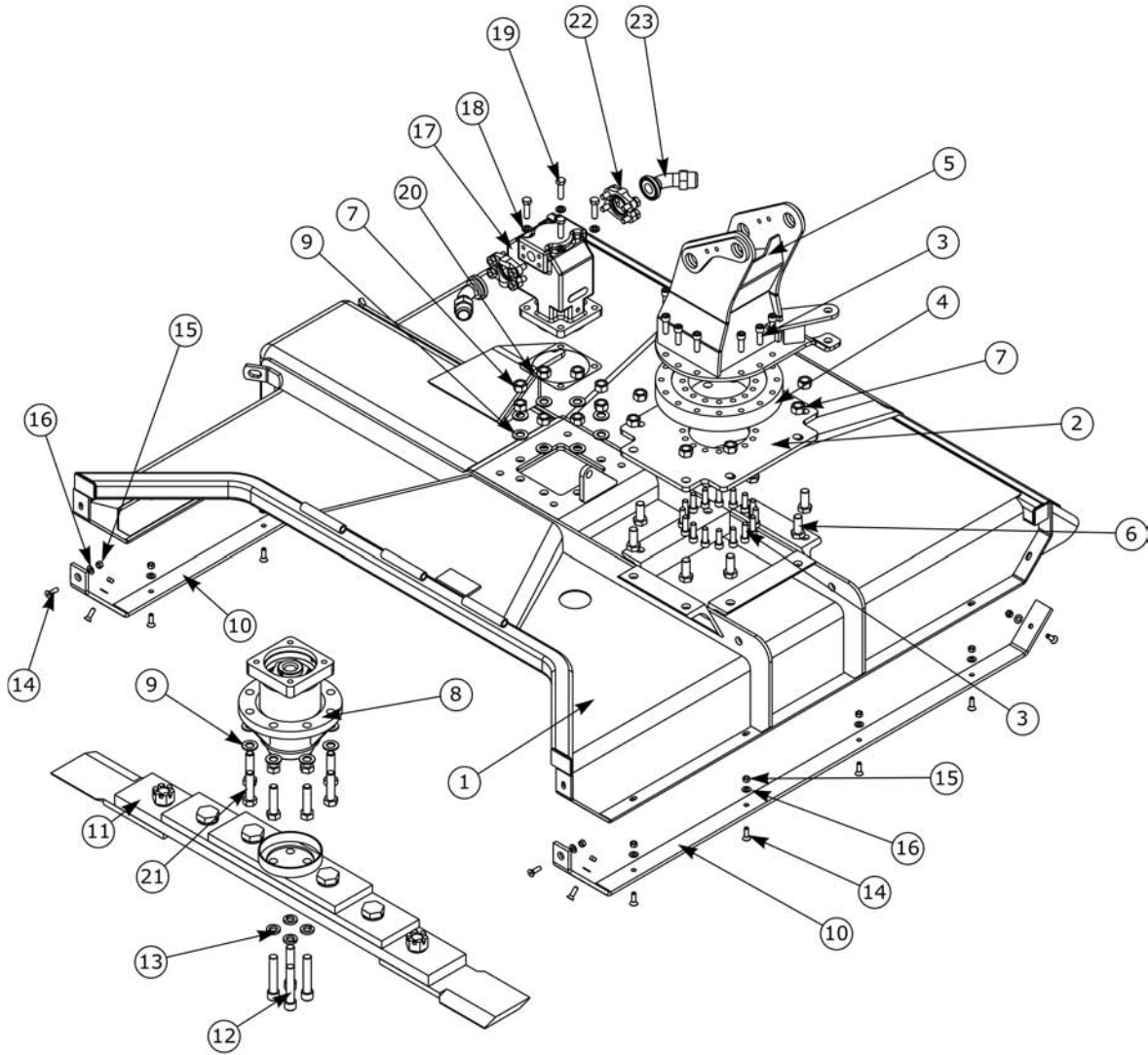


## 60 IN ROTARY - HEAD SUB-ASY (SOLID MNT)

Continued...

ITEM	PART NO.	QTY.	DESCRIPTION
	02983221	1	60" ROTARY HEAD SUB-ASY. W/ STR SOLID MOUNT
1	02981410	1	DECK WELDMENT
2	02982749	1	HITCH POST WELDMENT, STD SOLID MOUNT
3	02892100	8	BOLT, HEX HEAD 3/4"-NC X 1-3/4" PL GR5
4	00037200	16	LOCKNUT, 3/4"-NC PLC
5	02968859A	1	SPINDLE HOUSING ASY, SPLINED
6	5312316	16	WASHER, (SPECIAL)
7	02966899	2	SKID SHOE
8	02969230	1	BLADE BAR ASY, W/ BLADES
9	02964861	4	BOLT, SOCKET HEAD 3/4"-NC X 4" PL GR8
10	00003901	4	LOCKWASHER, 3/4 PL HEAVY
11	00059700	14	BOLT, FLAT SOCKET HEAD 3/8"-NC X 1-1/4"
12	00015800	14	LOCKNUT, 3/8"-NC PLB
13	15B600	14	WASHER, 3/8" SAE P
14	02961747	1	MOTOR ASY, CAST IRON W/SPLINED SHAFT
15	00019600	4	LOCKWASHER, 1/2" HEAVY
16	02891800	4	BOLT, HEX HEAD 1/2"-NC X 1-3/4" PL GR8
17	02961038	1	GASKET, SPINDLE TO MOTOR
18	03200269	8	BOLT, HEX HEAD 3/4"-NC X 3" PL GR8
19	00749101	2	SPLIT FLANGE KIT, 1-1/2"
20	02962774	2	ADAPTER, HYD ELBOW

# 60 IN ROTARY - HEAD SUB-ASY (SWIVEL MNT)

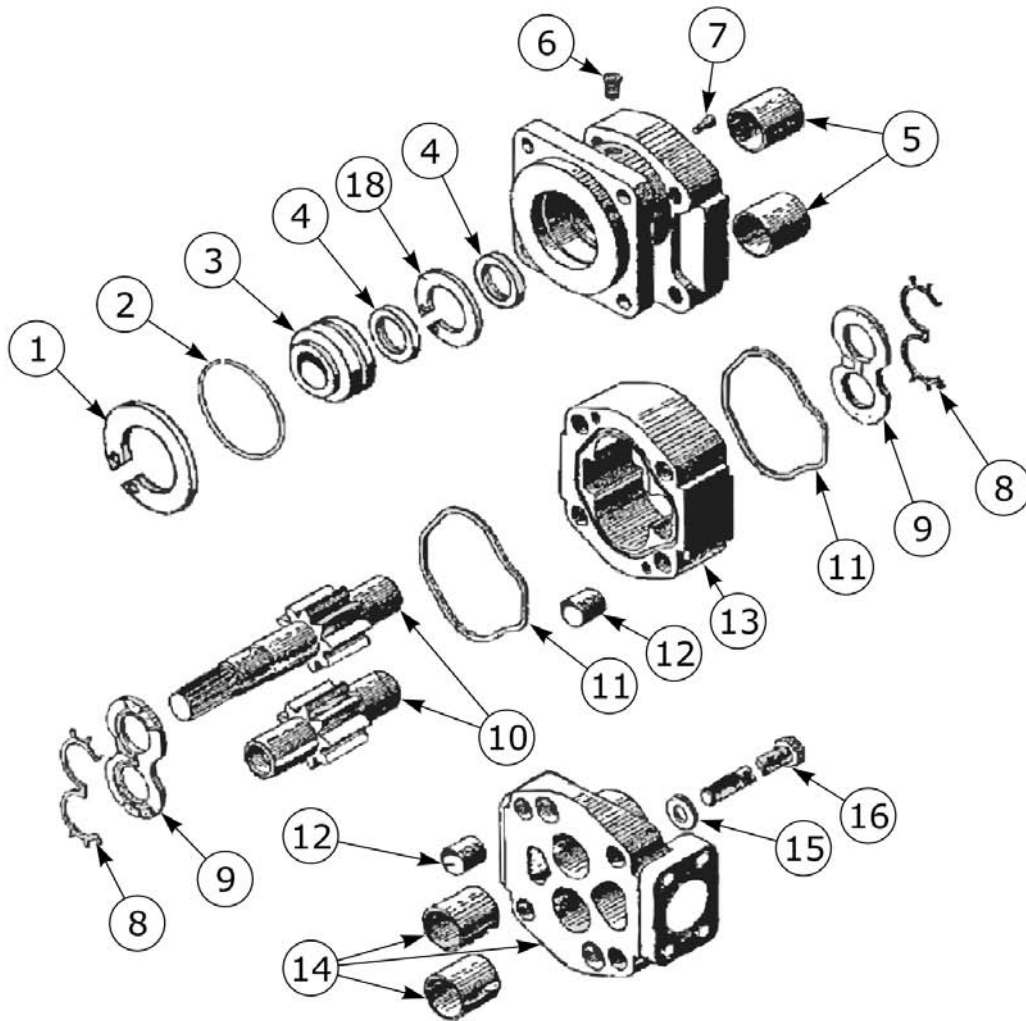


## 60 IN ROTARY - HEAD SUB-ASY (SWIVEL MNT)

Continued...

ITEM	PART NO.	QTY.	DESCRIPTION
	02983207	1	60" HEAD SUB-ASY, W/ OPT SWIVEL MOUNT
1	02981410	1	DECK WELDMENT
2	02981752	1	PLATE, HITCH POST BOTTOM
3	02981820	28	BOLT, SOCKET HEAD 1/2"-NC X 1-1/2" PL GR8
4	02981318	1	SLEWING BEARING
5	02981741	1	HITCH POST WELDMENT, (OPT SWIVEL MOUNT)
6	02892100	8	BOLT, HEX HEAD 3/4"-NC X 1-3/4" PL GR5
7	00037200	16	LOCKNUT, 3/4"-NC PLC
8	02968859A	1	SPINDLE HOUSING ASY, SPLINED SHAFT
9	5312316	16	WASHER, (SPECIAL)
10	02966899	2	SKID SHOE
11	02969230	1	BLADE BAR ASY, W/ BLADES
12	02964861	4	BOLT, SOCKET HEAD 3/4"-NC X 4" PL GR8
13	00003901	4	LOCKWASHER, 3/4" PL HEAVY
14	00059700	14	BOLT, FLAT SOCKET HEAD 3/8"-NC X 1-1/4"
15	00015800	14	LOCKNUT, 3/8"-NC PLB
16	15B600	14	WASHER, 3/8" SAE P
17	02961747	1	MOTOR ASY, CAST IRON W/ SPLINED SHAFT
18	00019600	4	LOCKWASHER, 1/2" HEAVY
19	02891800	4	BOLT, HEX HEAD 1/2"-NC X 1-3/4" PL GR8
20	02961038	1	GASKET, SPINDLE TO MOTOR
21	03200269	8	BOLT, HEX HEAD 3/4"-NC X 3" PL GR8
22	00749101	2	SPLIT FLANGE KIT, 1-1/2"
23	02962774	2	ADAPTER, HYD ELBOW

# 60 IN ROTARY - MOTOR (PARTS) - PN 02961747



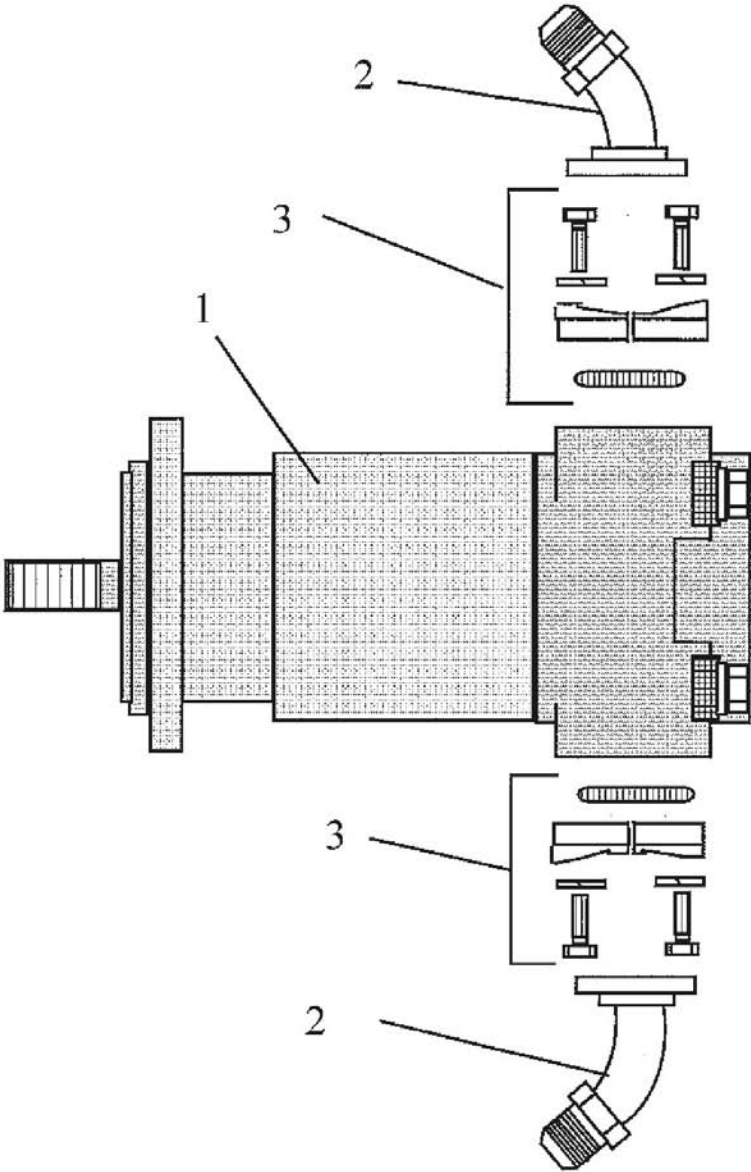
ITEM	PART NO.	QTY.	DESCRIPTION
	02961747	1	MOTOR ASY, CAST IRON W/ SPLINED SHAFT
1	02962200	1	SNAP RING
2	-----	1	O-RING (SEE SEAL KIT)
3	02962199	1	SEAL RETAINER
4	-----	2	SEAL (SEE SEAL KIT)
5	02962192	1	MOUNTING FLANGE
6	02961940	1	PLUG, HEX SOCKET HEAD 4MB
7	02961931	2	CHECK ASY
8	-----	4	SEAL END (SEE SEAL KIT)
9	-----	2	THRUST PLATE (SEE SEAL KIT)
10	02962195	1	GEAR SET
11	-----	2	SQUARE SEAL, (SEE SEAL KIT)
12	02962201	4	DOWEL PIN
13	02962194	1	GEAR HOUSING

## 60 IN ROTARY - MOTOR (PARTS) - PN 02961747

Continued...

ITEM	PART NO.	QTY.	DESCRIPTION
14	02962193	1	PORTING FLANGE
15	02962196	4	WASHER
16	02962197	4	BOLT, HEX HEAD
17	-----	4	SIDE SEAL, (SEE SEAL KIT) NOT SHOWN
18	02962291	1	SEAL RETAINER
19	02962540	1	SEAL KIT, MINOR REBUILD (ITEMS 2,4,8,11&17)
	02962202	1	SEAL KIT, MAJOR REBUILD (ITEMS 2,4,8,9,11&17)

**60 IN ROTARY - MOTOR (W-FITTINGS) - PN 02961747**

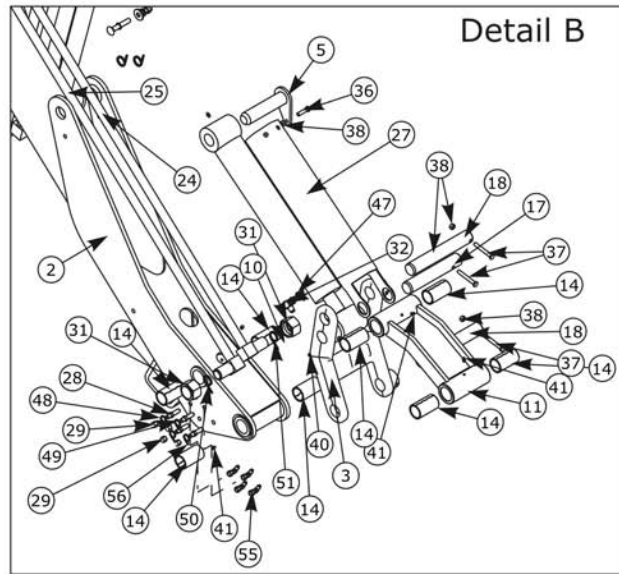
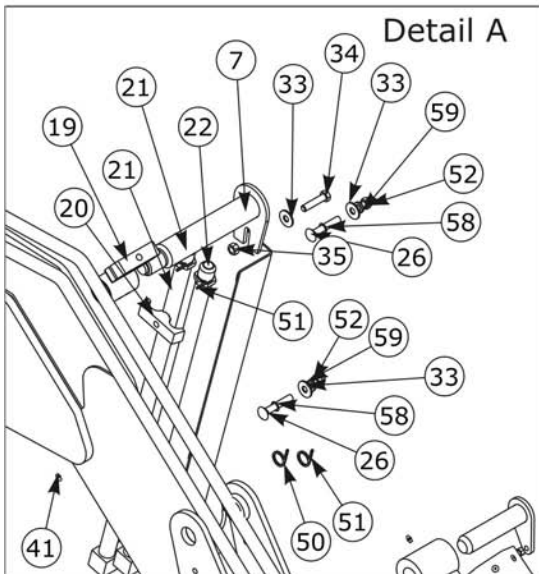
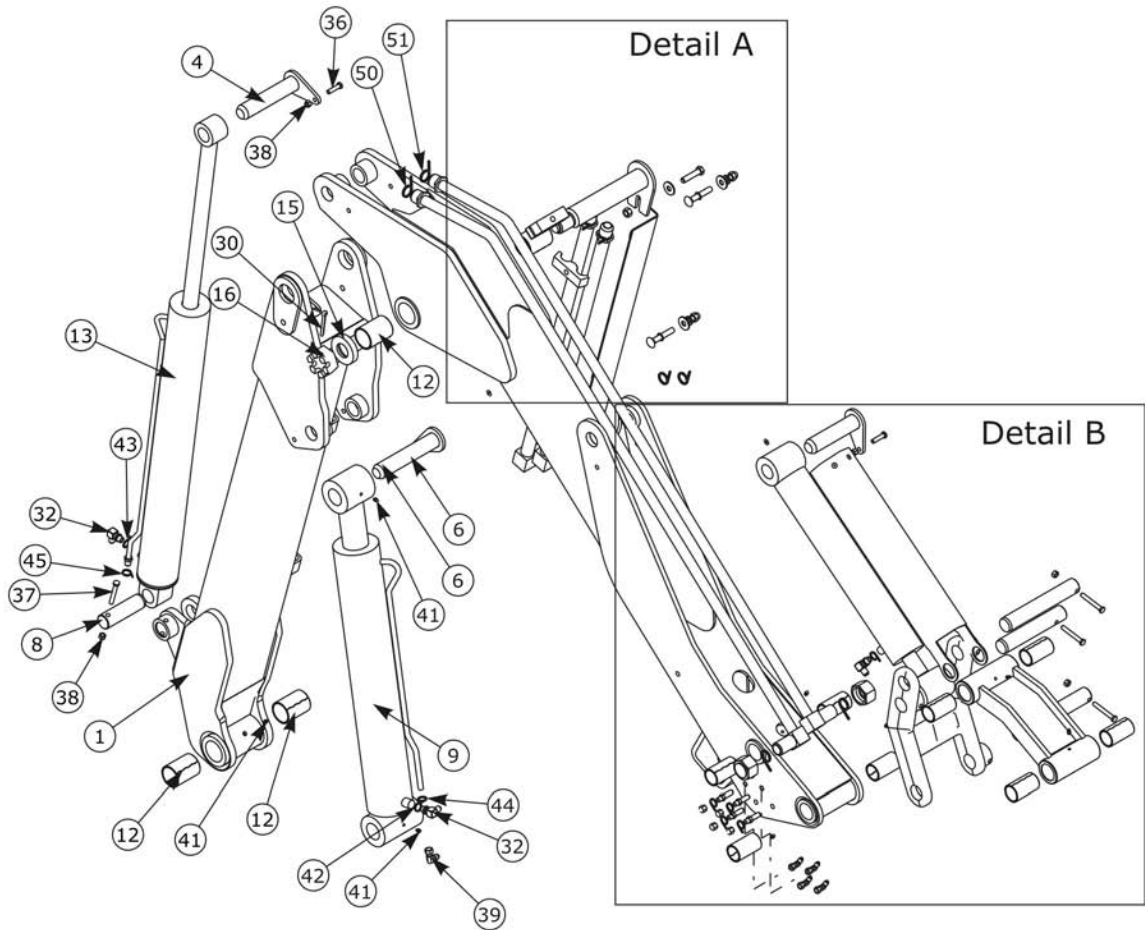


ITEM	PART NO.	QTY.	DESCRIPTION
1	02961747	1	MOTOR ASY, CAST IRON W/ SPLINED SHAFT
2	02962774	2	ADAPTER, HYD ELBOW 24FL - 20MJ45
3	00749101	2	SPLIT FLANGE KIT, 1-1/2"



**THIS PAGE INTENTIONAL LEFT BLANK**

# BOOM ASY - 18 FT BOOM - PN 02982733 (PART 1)



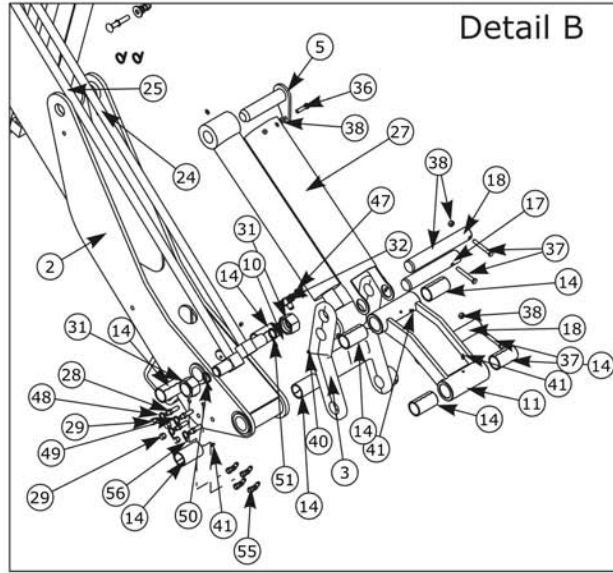
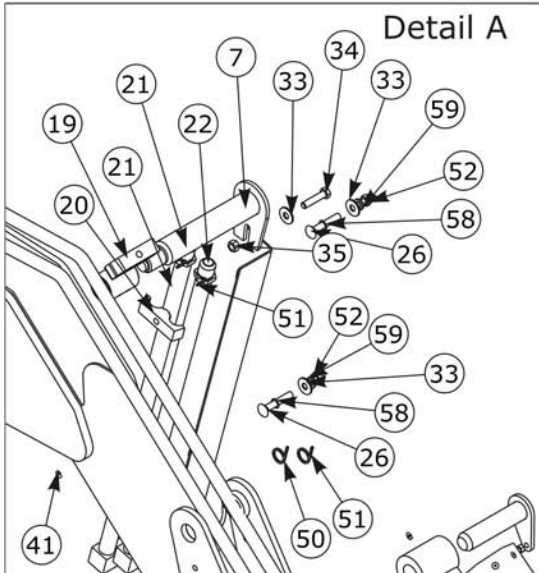
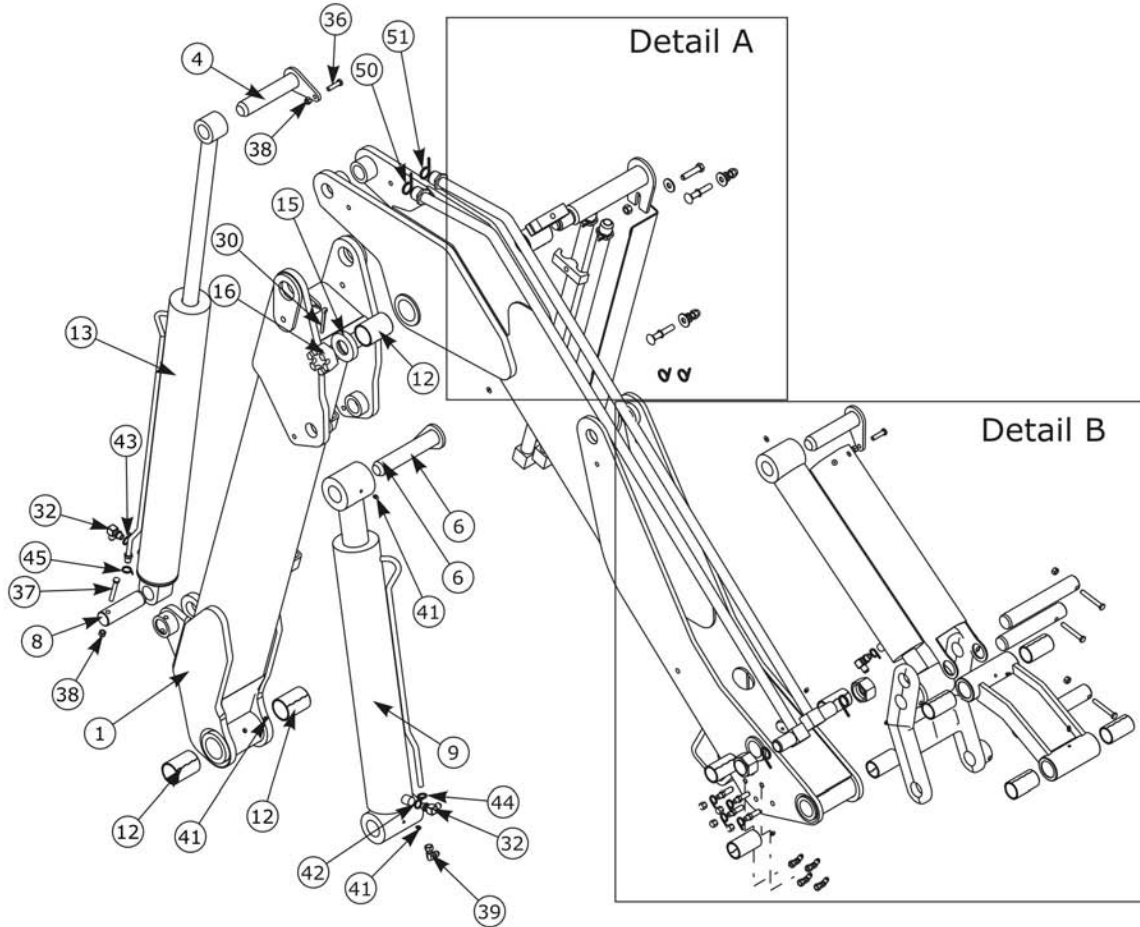
## BOOM ASY - 18 FT BOOM - PN 02982733 (PART 1)

Continued...

ITEM	PART NO.	QTY.	DESCRIPTION
1	02982731	1	WELDMENT, LIFT, 18` AXTREME
2	02982732	1	WELDMENT, DIPPER, 18` AXTREME
3	02972816	1	WELDMENT, LINK ARM
4	02982979	1	WELDMENT, CYLINDER PIN, NEW BOOM
5	02982980	1	WELDMENT, CYLINDER PIN SHORT, NEW BOOM
6	02982981	1	WELDMENT, CYLINDER PIN LONG, NEW BOOM
7	02981294	1	WELDMENT, PIN, LIFT/ DIPPER
8	02971751	1	PIN, 1-1/2 X 5-3/16 & 13/32 HOLE
9	02981279	1	CYLINDER, 4.0B X 2.25R X 24.63S
10	02981280	1	CYLINDER, 3.0B X 1.5R X 16.0S
11	02981695	1	WELDMENT, LINKAGE ARM, MAVERICK
12	02981420	4	CONNEX BUSHING, 2 1/4 X 2 X 3
13	02983320	1	CYL, 3.5B X 1.5R X 30.0S
14	02981424	8	CONNEX BUSHING, 1 3/4 X 1 1/2 X 3
15	02981273	1	SPACER, PIN, DIPPER, MAVERICK
16	02981702	1	SLOTTED NUT, 1-1/2 NF
17	02971754	1	PIN 1-1/2 X 8-5/16 & 13/32 HOLE
18	02971755	2	PIN, 1-1/2 X 9-9/16 & 13/32 HOLE
19	02960869	1	1 1/4" TUBE TWIN SET
20	02963154	2	CLAMP, 1.25 TUBING
21	02982712	1	TUBING, 18` LIFT
22	02982713	1	TUBING, 18` LIFT
23	02983266	1	PLATE, LIFT TUBE COVER, 18` AXTREME
24	02982714	1	TUBING, 18` DIPPER
25	02982715	1	TUBING, 18` DIPPER
26	281324	2	CARB 1/2 - 13 X 3
27	02981735	1	ASSEMBLY, TILIT CYLINDER COVER, MAVERICK
28	02965448	4	ADP, HYD 4MJ -4MJ BULKHEAD
29	02919600	4	CAP, HYD 4FJ
30	165020	1	PIN, COTTER 5/16 X 2-1/2 PL
31	02960506	2	CAP, #20FJIC
32	63149100	3	ADP, HYD ELBOW 6MB-6MJ 90
33	00002700	3	FLATWASHER, 1/2 PL STD
34	02975436	1	HHCS 1/2 NC X 2 1/4 PL8
35	00001800	1	LOCKNUT TLM 1/2 NC PLB
36	00023100	3	HHCS 3/8 X 1-1/2 NC PL GR5
37	02970595	4	HHCS 3/8 NC 2-3/4 PL8
38	00015800	7	LOCKNUT TLM 3/8 NC PLC
39	001921	1	ADAPTER 6MJ - 6FJX 90
40	000941	1	GREASE ZERK 1/4-28 90 BOLT THD
41	00752670	9	GREASE FITTING 1/4-28 BOLT THD

Axtreme Boom 18-22-25 ft (08-06) Rev 09-08

# BOOM ASY - 18 FT BOOM - PN 02982733 (PART 2)

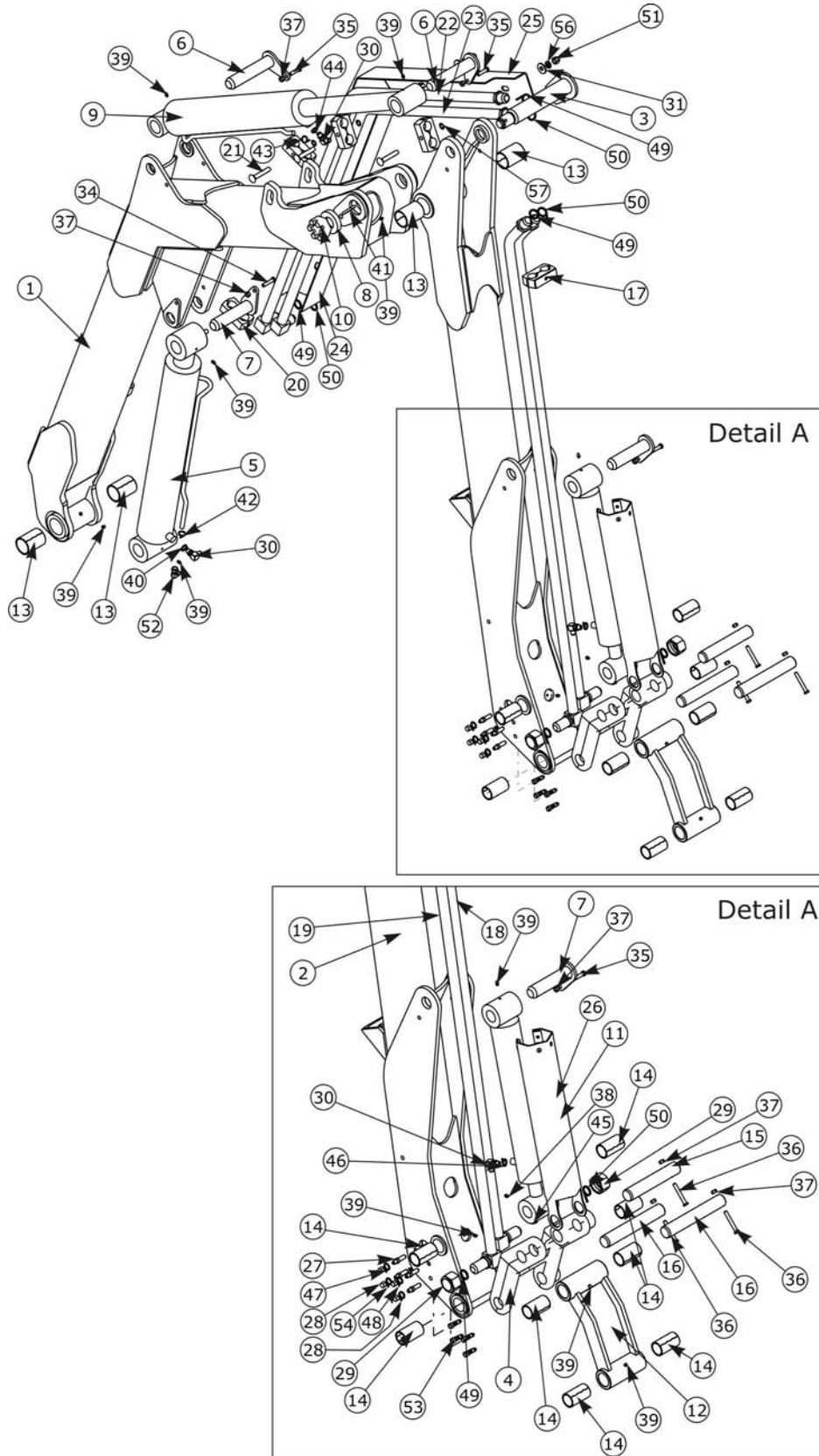


## BOOM ASY - 18 FT BOOM - PN 02982733 (PART 2)

Continued...

ITEM	PART NO.	QTY.	DESCRIPTION
42	02968835	1	PLASTIC TIE O/W 4LG
43	02968831	1	PLASTIC TIE B/W 4LG
44	02968834	1	PLASTIC TIE ORG 4LG
45	02968830	1	PLASTIC TIE BLU 4LG
46	02968829	1	PLASTIC TIE R/W 4LG
47	02968828	1	PLASTIC TIE RED 4LG
48	02968837	1	PLASTIC TIE Y/W 4LG
49	02968836	1	PLASTIC TIE YEL 4LG
50	02968894	4	PLASTIC TIE RED 11LG
51	02968896	4	PLASTIC TIE ORANGE 11LG
52	02983080	2	ACORN NUT, 1/2-13
53	02983263	2	DECAL, 18 LOGO, AXTRME
54	02962764	6	DECAL - PINCH POINTS
55	02976532	4	ADP HYD ELBOW 4MJ - 4FJX 45DEG
56	02968832	1	PLASTIC TIE GRN 4"
57	02968833	1	PLASTIC TIE G/W 4LG
58	63161900	2	SPRING NUT 1/2
59	00019600	2	LOCKWASHER 1/2 HEAVY PL

# BOOM ASY - 22 FT BOOM - PN 02982736 (PART 1)

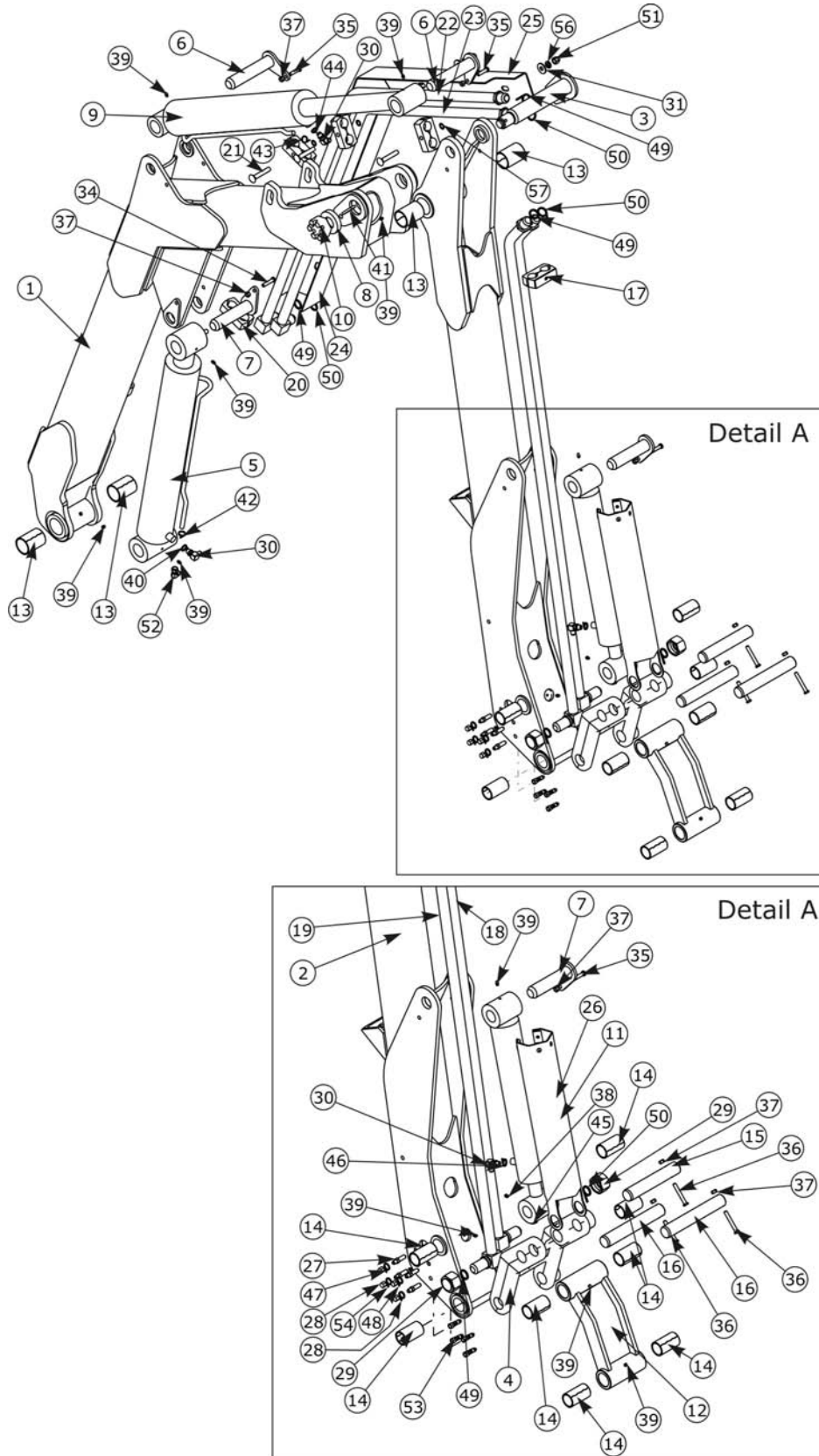


## BOOM ASY - 22 FT BOOM - PN 02982736 (PART 1)

Continued...

ITEM	PART NO.	QTY.	DESCRIPTION
1	02982734	1	WELDMENT, 22' LIFT
2	02982735	1	WELDMENT, 22' DIPPER
3	02981294	1	WELDMENT, PIN, LIFT/ DIPPER
4	02972816	1	WELDMENT, LINK ARM
5	02981279	1	CYLINDER, 4.0B X 2.25R X 24.63S
6	02982979	2	WELDMENT, CYLINDER PIN, NEW BOOM
7	02982980	2	WELDMENT, CYLINDER PIN SHORT, NEW BOOM
8	02981273	1	SPACER, PIN, DIPPER, MAVERICK
9	02981277	1	CYLINDER, 4.0B X 2.25R X 21.5S
10	02981702	1	SLOTTED NUT, 1-1/2 NF
11	02981280	1	CYLINDER, 3.0B X 1.5R X 16.0S
12	02981695	1	WELDMENT, LINKAGE ARM, MAVERICK
13	02981420	4	CONNEX BUSHING, 2 1/4 X 2 X 3
14	02981424	8	CONNEX BUSHING, 1 3/4 X 1 1/2 X 3
15	02971754	1	PIN 1-1/2 X 8-5/16 & 13/32 HOLE
16	02971755	2	PIN, 1-1/2 X 9-9/16 & 13/32 HOLE
17	02960869	1	1 1/4" TUBE TWIN SET
18	02982706	1	TUBING, 22' DIPPER
19	02982707	1	TUBING, 22' DIPPER
20	02963154	4	CLAMP, 1.25 TUBING
21	281324	4	CARB 1/2 - 13 X 3
22	02982704	1	TUBING, 22' LIFT
23	02982705	1	TUBING, 22' LIFT
24	02983105	1	PLATE, LIFT TUBE COVER, 22' AXXTREME
25	02983106	1	PLATE, LIFT TUBING COVER, 22' AXXTREME
26	02981735	1	ASSEMBLY, TILIT CYLINDER COVER, MAVERICK
27	02965448	4	ADP, HYD 4MJ -4MJ BULKHEAD
28	02919600	4	CAP, HYD 4FJ
29	02960506	4	CAP #20FJIC
30	63149100	3	ADP, HYD ELBOW 6MB-6MJ 90
31	00002700	5	FLATWASHER, 1/2 PL STD
34	02957042	1	HHCS 3/8NC 1-3/4 PL GR8
35	00023100	3	HHCS 3/8 X 1-1/2 NC PL GR5
36	02970595	3	HHCS 3/8 NC 2-3/4 PL8
37	00015800	7	LOCKNUT TLM 3/8 NC PLC
38	000941	1	GREASE ZERK 1/4-28 90 BOLT THD
39	00752670	11	GREASE FITTING 1/4-28 BOLT THD
40	02968835	1	PLASTIC TIE, ORANGE & WHITE
41	165020	1	PIN, COTTER 5/16 X 2-1/2 PL

# BOOM ASY - 22 FT BOOM - PN 02982736 (PART 2)



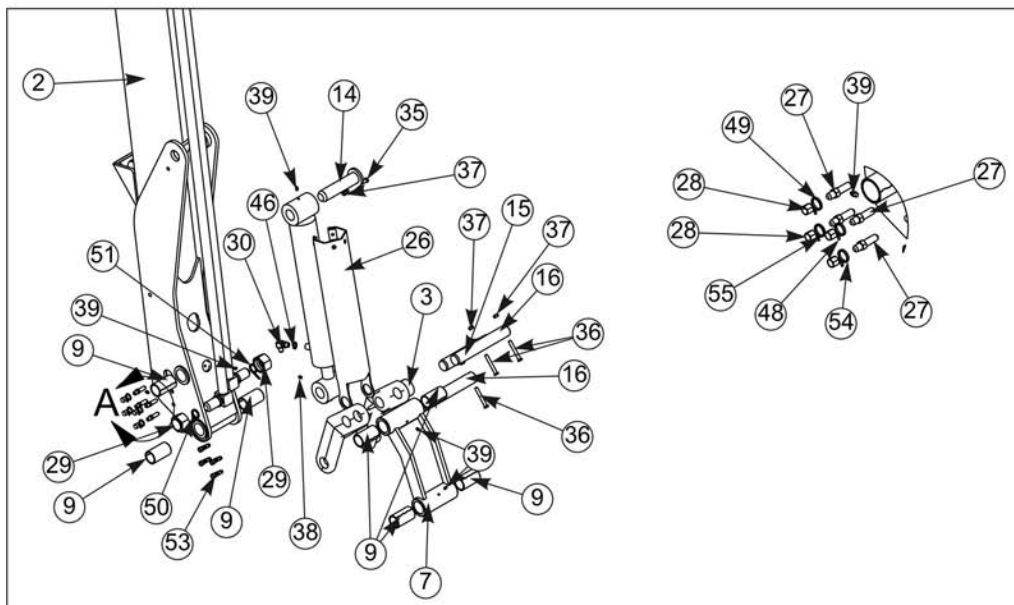
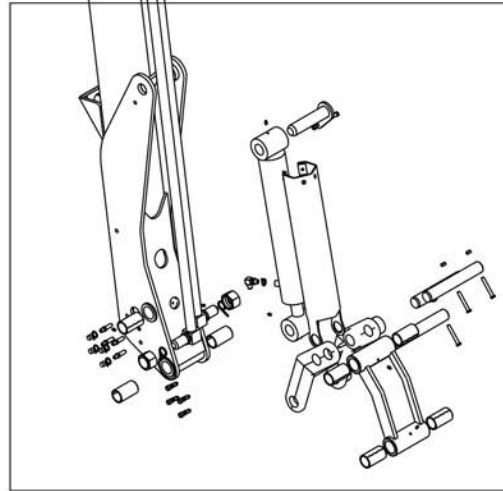
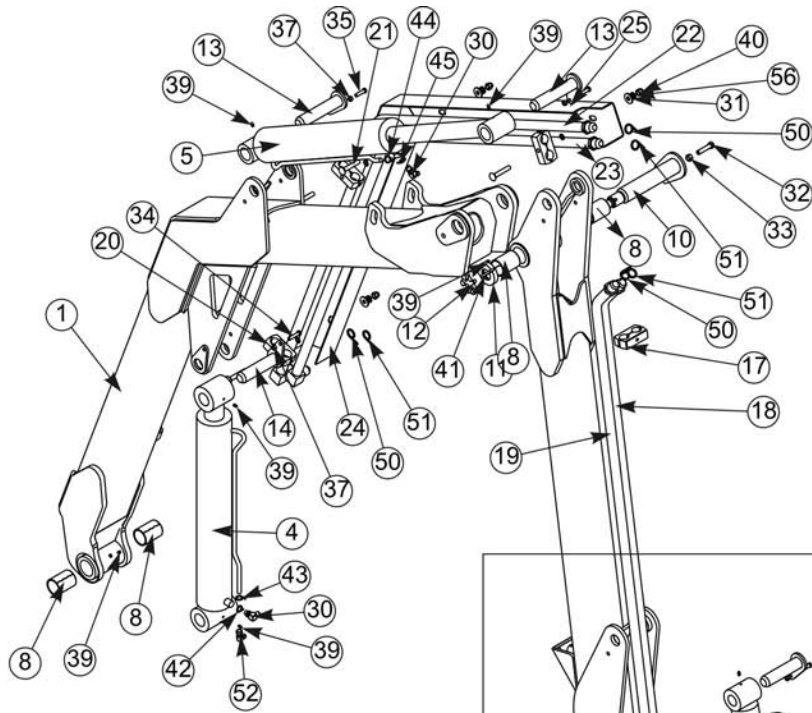


## BOOM ASY - 22 FT BOOM - PN 02982736 (PART 2)

Continued...

ITEM	PART NO.	QTY.	DESCRIPTION
42	02968834	1	PLASTIC TIE ORG 4LG
43	02968831	1	PLASTIC TIE B/W 4LG
44	02968830	1	PLASTIC TIE BLU 4LG
45	02968829	1	PLASTIC TIE R/W 4LG
46	02968828	1	PLASTIC TIE RED 4LG
47	02968837	1	PLASTIC TIE Y/W 4LG
48	02968836	1	PLASTIC TIE YEL 4LG
49	02968894	4	PLASTIC TIE RED 11LG
50	02968896	4	PLASTIC TIE ORANGE 11LG
51	02983080	4	ACORN NUT, 1/2-13
52	001921	1	ADP HYD ELBOW 6MJ - 6FJX 90
53	02976532	3	ADP HYD ELBOW 4MJ - 4FJX 45DEG
54	02968833	1	PLASTIC TIE G/W 4LG
55	02961085	1	CORDURA SLEEVING-54 LG
	02968832	1	PLASTIC TIE GRN 4"
56	00019600	5	LOCKWASHER 1/2 HEAVY PL
57	63161900	4	SPRING NUT 1/2

# BOOM ASY - 25 FT BOOM - PN 02982739 (PART 1)



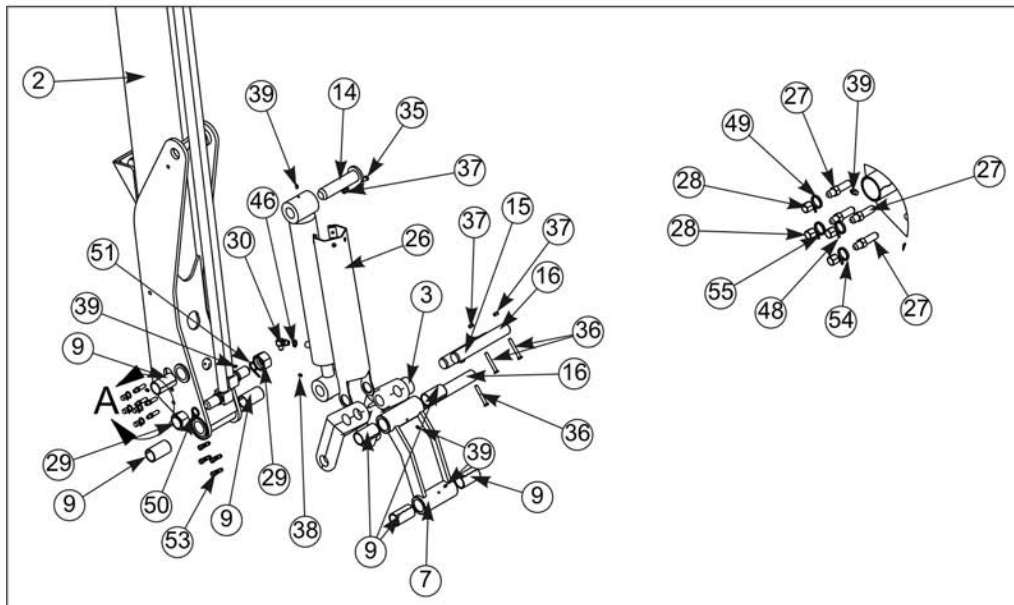
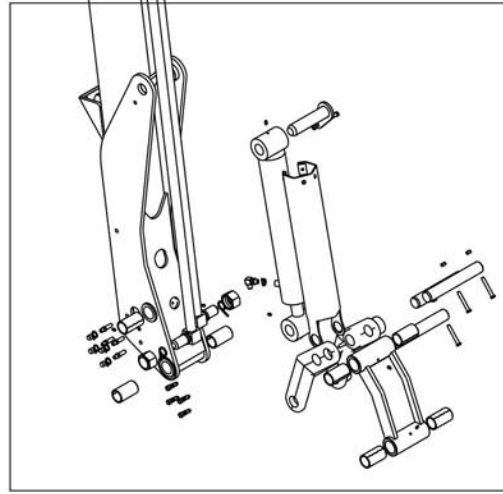
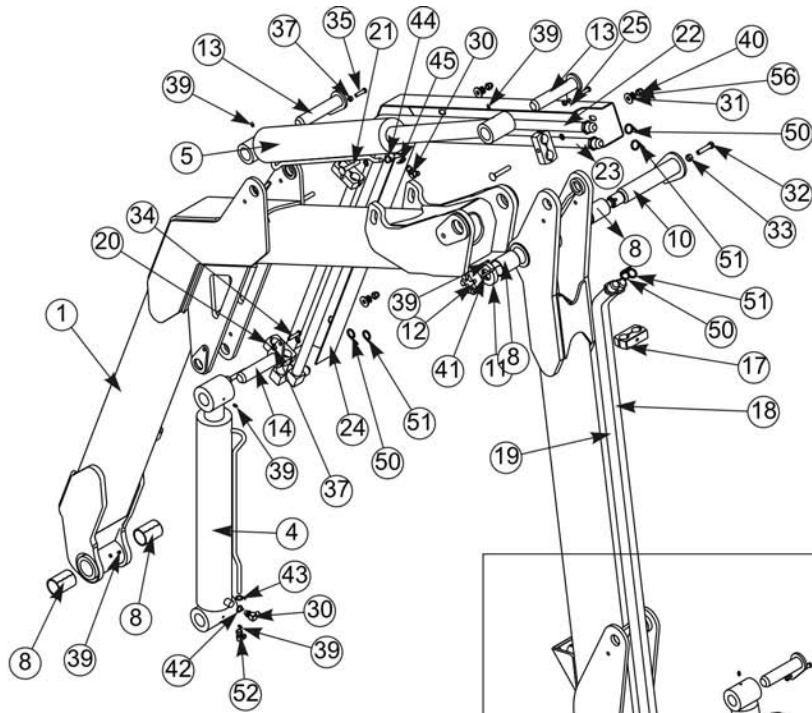
## BOOM ASY - 25 FT BOOM - PN 02982739 (PART 1)

Continued...

ITEM	PART NO.	QTY.	DESCRIPTION
1	02982737	1	WELDMENT, 25' LIFT, AXTREME
2	02982738	1	WELDMENT, 25' DIPPER, AXTREME
3	02972816	1	WELDMENT, LINK ARM
4	02981279	1	CYLINDER, 4.0B X 2.25R X 24.63S
5	02981277	1	CYLINDER, 4.0B X 2.25R X 21.5S
6	02981280	1	CYLINDER, 3.0B X 1.5R X 16.0S
7	02981695	1	WELDMENT, LINKAGE ARM, MAVERICK
8	02981420	4	CONNEX BUSHING, 2 1/4 X 2 X 3
9	02981424	8	CONNEX BUSHING, 1 3/4 X 1 1/2 X 3
10	02981294	1	WELDMENT, PIN, LIFT/ DIPPER
11	02981273	1	SPACER, PIN, DIPPER, MAVERICK
12	02981702	1	SLOTTED NUT, 1-1/2 NF
13	02982979	2	WELDMENT, CYLINDER PIN, NEW BOOM
14	02982980	2	WELDMENT, CYLINDER PIN SHORT, NEW BOOM
15	02971754	1	PIN 1-1/2 X 8-5/16 & 13/32 HOLE
16	02971755	2	PIN, 1-1/2 X 9-9/16 & 13/32 HOLE
17	02960869	1	1 1/4" TUBE TWIN SET
18	02982710	1	TUBING, 25' DIPPER
19	02982711	1	TUBING, 25' DIPPER
20	02963154	4	CLAMP, 1.25 TUBING
21	281324	4	CARB 1/2 - 13 X 3
22	02982708	1	TUBING, 25' LIFT
23	02982709	1	TUBING, 25' LIFT
24	02983141	1	PLATE, LIFT TUBE COVER, 25' AXTREME
25	02983142	1	PLATE, LIFT TUBING COVER, 25' AXTREME
26	02981735	1	ASSEMBLY, TILIT CYLINDER COVER, MAVERICK
27	02965448	4	ADP, HYD 4MJ -4MJ BULKHEAD
28	02919600	4	CAP, HYD 4FJ
29	02960506	2	CAP, #20FJIC
30	63149100	3	ADP, HYD ELBOW 6MB-6MJ 90
31	00002700	5	FLATWASHER, 1/2 PL STD
32	02975436	1	HHCS 1/2 NC X 2 1/4 PL8
33	00001800	1	LOCKNUT TLM 1/2 NC PLB
34	02957042	1	HHCS 3/8NC 1-3/4 PL GR8
35	00023100	3	HHCS 3/8 X 1-1/2 NC PL GR5
36	02970595	3	HHCS 3/8 NC 2-3/4 PL8
37	00015800	7	LOCKNUT TLM 3/8 NC PLC
38	000941	1	GREASE ZERK 1/4-28 90 BOLT THD
39	00752670	11	GREASE FITTING 1/4-28 BOLT THD
40	02983080	4	NUT, 1/2-13 ACORN
41	165020	1	PIN, COTTER 5/16 X 2-1/2 PL

Axtreme Boom 18-22-25 ft (08-06) Rev 09-08

# BOOM ASY - 25 FT BOOM - PN 02982739 (PART 2)

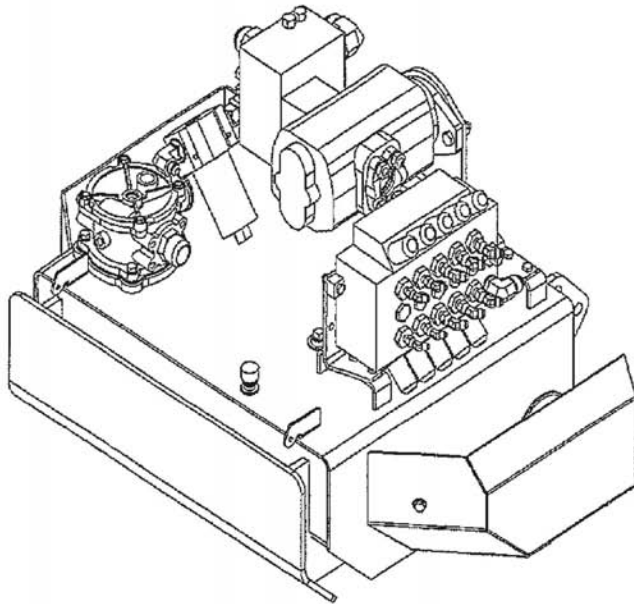


## BOOM ASY - 25 FT BOOM - PN 02982739 (PART 2)

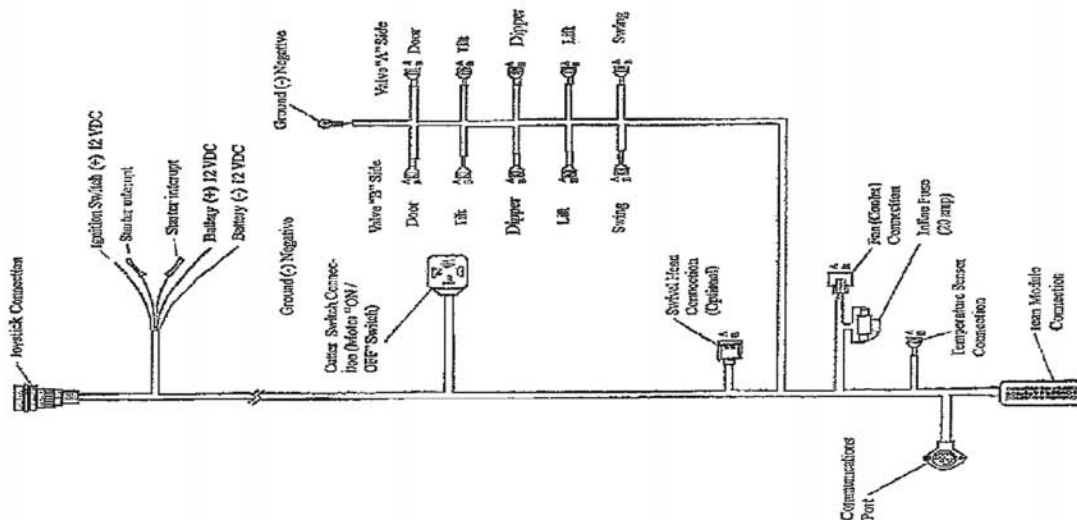
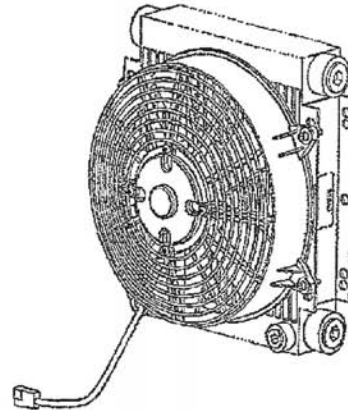
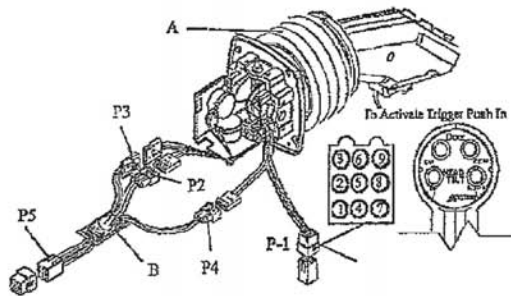
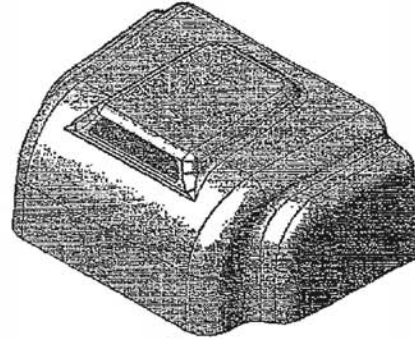
Continued...

ITEM	PART NO.	QTY.	DESCRIPTION
42	02968835	1	PLASTIC TIE O/W 4LG
43	02968834	1	PLASTIC TIE ORG 4LG
44	02968831	1	PLASTIC TIE B/W 4LG
45	02968830	1	PLASTIC TIE BLU 4LG
46	02968828	1	PLASTIC TIE RED 4LG
47	02968829	1	PLASTIC TIE R/W 4LG
48	02968836	1	PLASTIC TIE YEL 4LG
49	02968837	1	PLASTIC TIE Y/W 4LG
50	02968894	4	PLASTIC TIE RED 11LG
51	02968896	4	PLASTIC TIE ORANGE 11LG
52	001921	1	ADP HYD ELBOW 6MJ - 6FJX 90
53	02976532	4	ADP HYD ELBOW 4MJ - 4FJX 45DEG
54	02968832	1	PLASTIC TIE GRN 4"
55	02961085	1	CORDURA SLEEVING-54 LG
	02968833	1	PLASTIC TIE G/W 4LG
56	00019600	4	LOCKWASHER 1/2 HEAVY PL
57	63161900	4	SPRING NUT 1/2

# COMMON CRATE COMPONENTS - ELECT VALVE (PART 1)



**NOTE:**  
Appearance of some components may not be as shown depending on type tractor to be mounted.

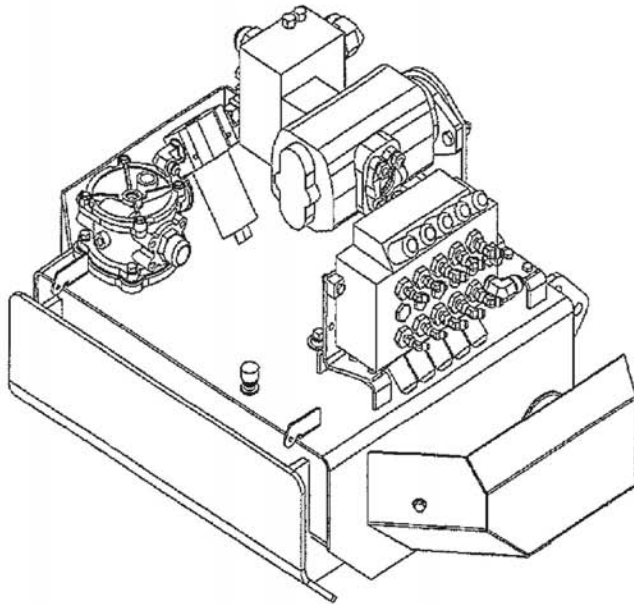


## COMMON CRATE COMPONENTS - ELECT VALVE (PART 1)

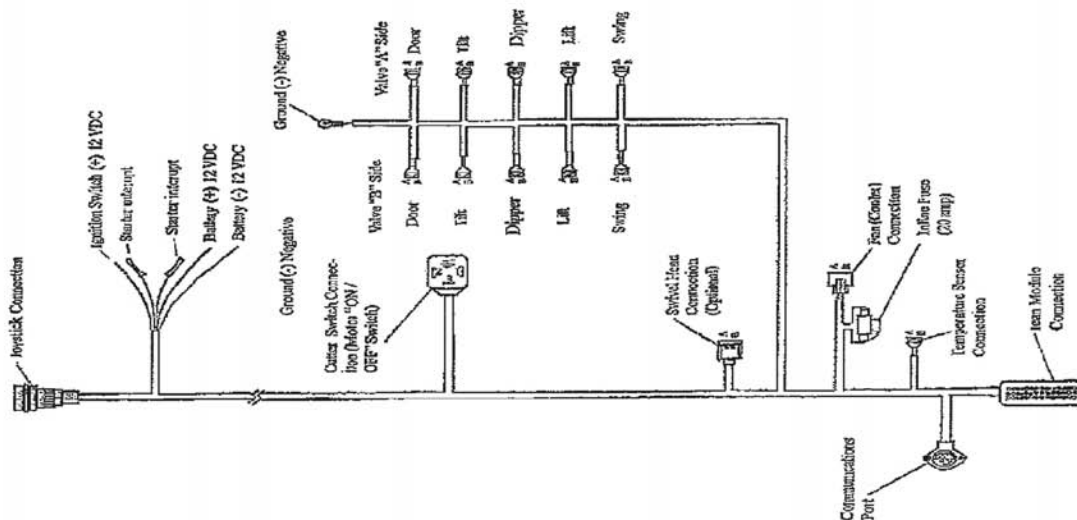
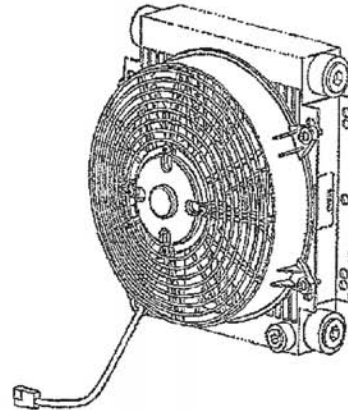
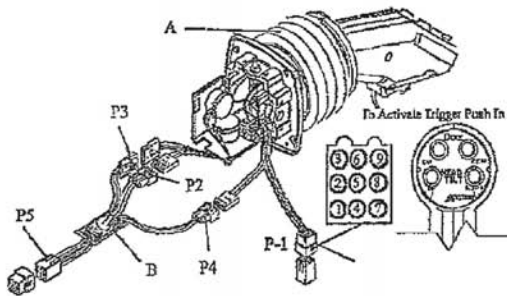
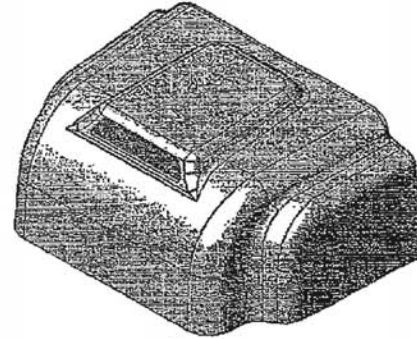
Continued...

ITEM	PART NO.	QTY.	DESCRIPTION
1	02982575	1	PUMP ASY, TANDEM
2	02982553	1	CUTTER CONTROL VALVE BLOCK ASY
5	02982875	1	SWITCH, FAN
6	02981381	1	PUMP COVER ASY
7	02981441	2	KNOB
10	02981377	1	COOLER, OIL/AIR W/FAN
11	00015800	8	LOCKNUT TLM 3/8-NC PLC
12	00011100	8	FLATWASHER, 3/8" STD
13	02981383	1	MOUNT, RH (F/ OIL COOLER)
14	02981384	1	MOUNT, LH (F/ OIL COOLER)
15	02981517	2	BOLT, EYE TURNED 1/4"-20 X 1" LG
16	02981953	4	HOSE HANGER, FORMED
17	107079	1	WIRE, BLACK 14 GA-24"LG
18	02982339	2	SLEEVE, OVAL
20	02981822	1	HOSE BRACKET WELDMENT
21	00019600	2	LOCKWASHER, 1/2" HEAVY
22	02892000	2	BOLT, HEX HEAD 1/2"-NC X 1-1/2" PL GR8
23	02982581	1	HOSE GUIDE WELDMENT
25	02982576	1	VALVE ASY, ELECTRO-HYD
26	02983368	1	MODULE PROGRAM ASY
27	02982882	1	HYDRAULIC TANK ASY
28	02983014	1	JOYSTICK ASY
29	02983212	1	HOSE ASY, #12 - 12FJX - 12FJX90 - 30" LG
30	02983213	1	HOSE ASY, # 8 - 8FJX - 8FJX90 - 32" LG
31	02983214	1	HOSE ASY, #12 - 12FJX - 12FJX - 16" LG
32	02983215	1	HOSE ASY, #20 - 2FJX - 20FJX90 - 12" LG
33	02972177	6	ADAPTER, HYD STGHT 10MB - 6MJ
34	02972179	4	ADAPTER, HYD STGHT 10MB - 4MJ
35	02042300	1	ADAPTER, HYD STGHT
36	00011400	4	BOLT, HEX HEAD 3/8"-NC X 1"
37	02976531	6	ADAPTER, HYD ELBOW 6MJ - 6FJX45
38	02976532	4	ADAPTER, HYD ELBOW 4MJ - 4FJX45
39	02983325	1	PLATE, ELECT VALVE MOUNT, REAR
40	02983329	1	PLATE, ELECT VALVE MOUNT, FRONT
41	00015800	8	LOCKNUT, 3/8"
42	00023100	8	BOLT, HEX HEAD 3/8"-NC X 1-1/2" PL GR5
45	00776031	1	CANISTER, PARTS MANUAL
46	00776481	1	SHEET, MANUAL CANNISTER DECAL
47	00776583	1	MANUAL CANISTER DECAL SHEET
48	02977417	1	DECAL, OPERATORS MANUAL INSIDE
49	02981787	1	BOLT, HEX HEAD 3/4"-NC X 1-1/2" PL GR8

# COMMON CRATE COMPONENTS - ELECT VALVE (PART 2)



**NOTE:**  
Appearance of some components may not be as shown depending on type tractor to be mounted.



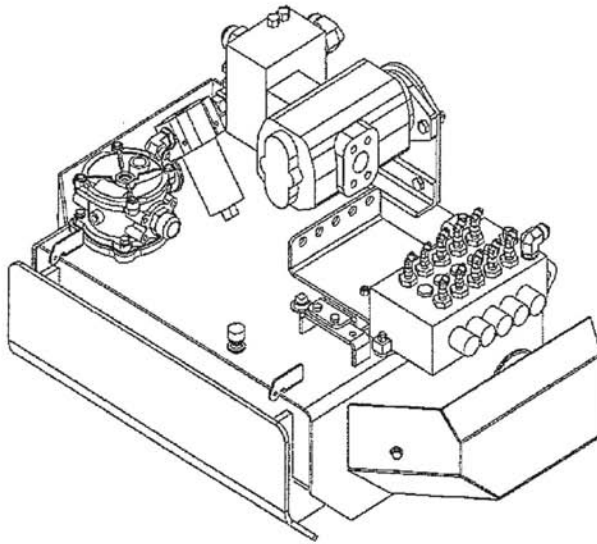


## COMMON CRATE COMPONENTS - ELECT VALVE (PART 2)

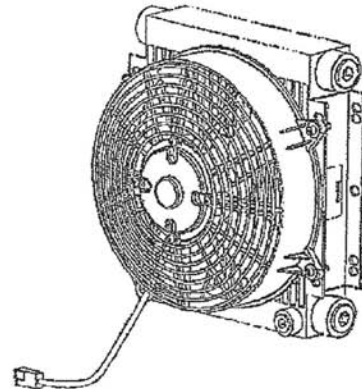
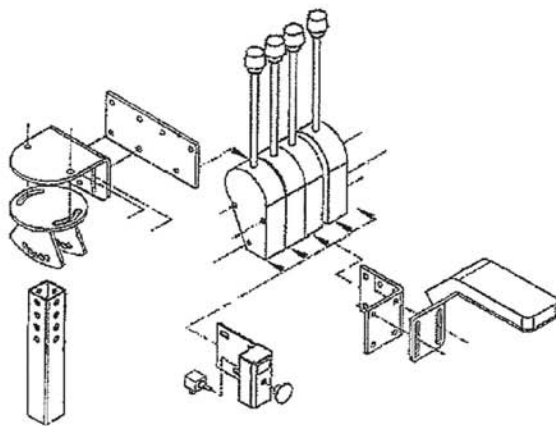
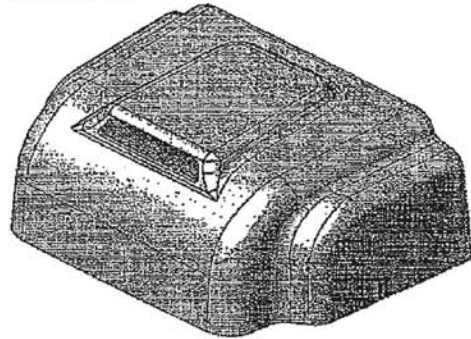
Continued...

ITEM	PART NO.	QTY.	DESCRIPTION
50	02982581	1	WLDMT. HOSE GUIDE
51	02983328	1	MANUAL , OPERATORS AXTREME
52	02983328CA	1	ASSEMBLY AXTREME CANISTER
53	02962774	1	ADP HYD ELBOW 24FL-20MJ45
54	00749101	1	SPLIT FLANGE KIT 1-1/2
55	02960807	2	ADP HYD STGHT 20MB -20MJ
56	63042700	1	ADP HYD STGHT 12MB-8MJ
57	02961098	1	ADP HYD ELBOW 20MB -20MJ 90
58	02090800	3	ADP HYD ELBOW 12MB-12MJ90
59	02960409	1	ADP TUBE ELBOW 20MJ-20FJX 90?
60	02959924	2	NUT TOPLOCK 1/4 NC PLB
61	02970451	4	HHCS 7/16NC 4-1/2 PL8
62	0100204	4	SPRING WASHER, 7/16 BZP
63	02972565	4	HHCS 3/8 NC 4-1/2 PL5
64	00012101	4	LOCKWASHER 3/8 PL HVY
65	02983355	1	BOLT BAG, AXTREME, COMMON
	5312316	60	WASHER, 3/4" HARDENED
	02963646	12	HHCS 3/4 NC 2-1/2 PL8
	00037200	32	NUT 3/4-NC TOPLOCK GRC PL
	02972088	8	HHCS 3/4 NC 3-1/2 PL8
	02918600	8	HEXB 3/4-10UNC 2 PL8
	02959587	2	HEXB, 3/4-10 NC x 6" PL8
	03200269	4	HHCS 3/4 NC 3 PL8
66	02986130	1	CABLE, MANUAL CANISTER, 24" LG
67	02986111	1	CABLE, PUMP COVER 36" LG

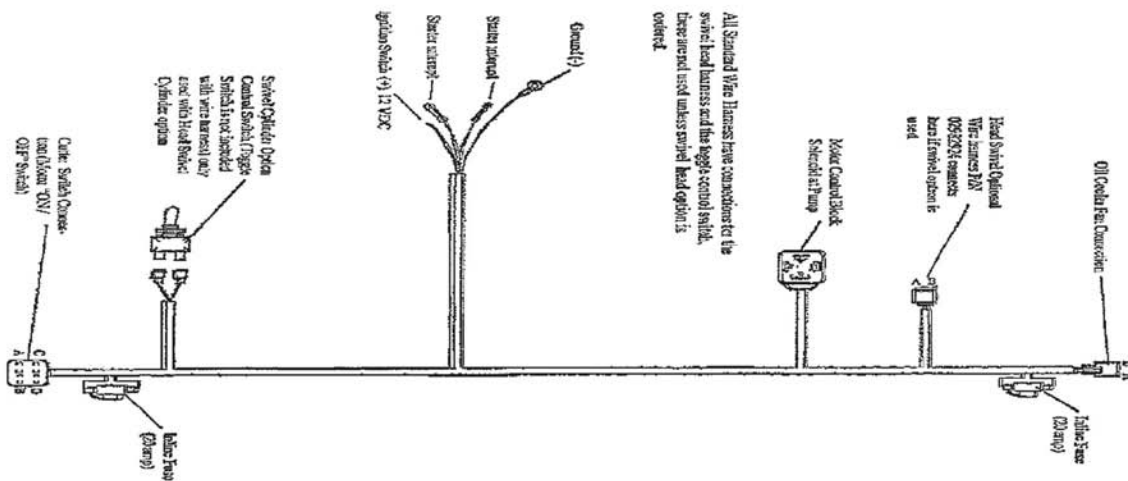
# COMMON CRATE COMPONENTS - MAN VALVE (PART 1)



**NOTE:**  
Appearance of some components may not be as shown depending on type tractor to be mounted.



COMMON CRATE LISTED IS FOR A CABLE CONTROLLED MANUAL VALVE, IF THE ELECTRO-HYDRAULIC (JOYSTICK) CONTROLLED VALVE OPTION.

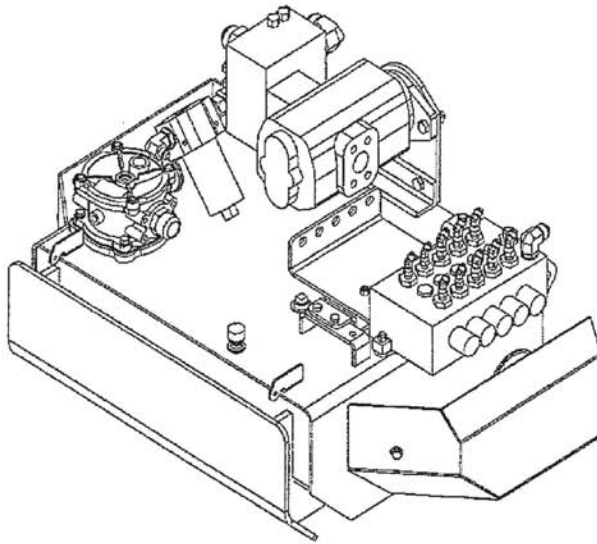


# COMMON CRATE COMPONENTS - MAN VALVE (PART 1)

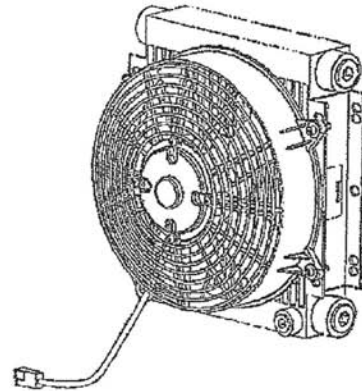
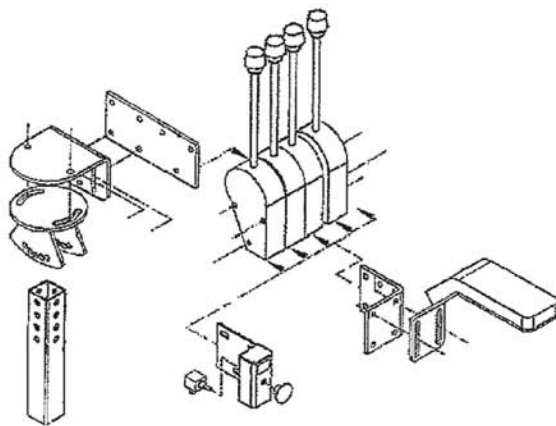
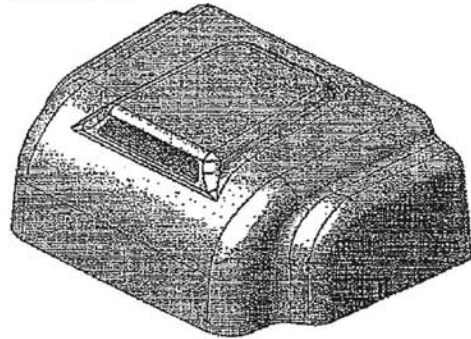
Continued...

ITEM	PART NO.	QTY.	DESCRIPTION
1	02982575	1	PUMP ASY, TANDEM
2	02982553	1	CUTTER CONTROL VALVE BLOCK ASY
3	02982922	1	WIRE HARNESS, MANUAL VALVE
4	02981381	1	PUMP COVER ASY
5	02981441	2	KNOB STUD, 3/8"-NC X 1-1/2"
8	02981377	1	FAN & OIL COOLER ASY
9	00015800	8	LOCKNUT, 3/8"-NC PLB
10	02981383	1	COOLER MOUNT, RH
11	02981384	1	COOLER MOUNT, LH
12	02981517	2	BOLT, EYE TURNED 1/4"-20 X 1" LG
13	02981953	4	HANGER, FORMED HOSE
15	02982339	2	OVAL SLEEVE, 5/32" DIA.
16	D377	1	BOOKLET, DECAL BOOM MOWER
17	02981822	1	HOSE BRACKET WELDMENT
18	00019600	2	LOCKWASHER, 1/2" HEAVY
19	02892000	2	BOLT, HEX HEAD 1/2"-13NC X 1-1/2" PL GR8
20	02982581	1	HOSE GUIDE WELDMENT
21	02983084	5	CLEVIS, F/ MANUAL VALVE
22	02983354	1	VALVE ASY, MANUAL (F/ CABLE CONTROL)
23	02982882	1	HYD TANK ASY
24	02983212	1	HOSE, # 12 - 12FJX - 12FJX90 - 30" LG
25	02983213	1	HOSE, # 8 - 8FJX - 8FJX90 - 28" LG
26	02981314	1	HOSE, # 12 - 12FJX - 12FJX - 12" LG
27	02981315	1	HOSE, # 20 - 20FJX - 20FJX90 - 12" LG
28	02972177	6	ADAPTER, HYD STRAIGHT 10MB - 6MJ
29	02972179	4	ADAPTER, HYD STRAIGHT 10MB - 4MJ
30	02042300	1	ADAPTER, HYD STRAIGHT
31	00011400	1	BOLT, HEX HEAD 3/8"-NC X 1"
32	02976531	6	ADAPTER, HYD ELBOW 6MJ - 6FJX 45DEG
33	02976532	4	ADAPTER, HYD ELBOW 4MJ - 4FJX 45DEG
34	02983341	1	PLATE MANUAL VALVE MOUNT
35	0039100	8	BOLT, HEX HEAD 3/8"-NC X 1" PL GR5
36	00023100	8	BOLT, HEX HEAD 3/8"-16UNC X 1-1/2" PL GR5
37	00015800	11	LOCKNUT, 3/8"-NC PLB
38	02983342	1	PLATE, MANUAL VALVE STRAP
39	00776031	1	CANISTER, PARTS MANUAL
40	00776483	1	SHEET, MANUAL CANNISTER DECAL
41	00776583	1	MANUAL CANISTER DECAL SHEET
42	02977417	1	DECAL OPERATORS MANUAL INSIDE
43	02981787	1	BOLT, HEX HEAD 3/4"-NC X 1-1/2" PL GR8
44	02983328A	1	OPERATORS MANUAL ASY

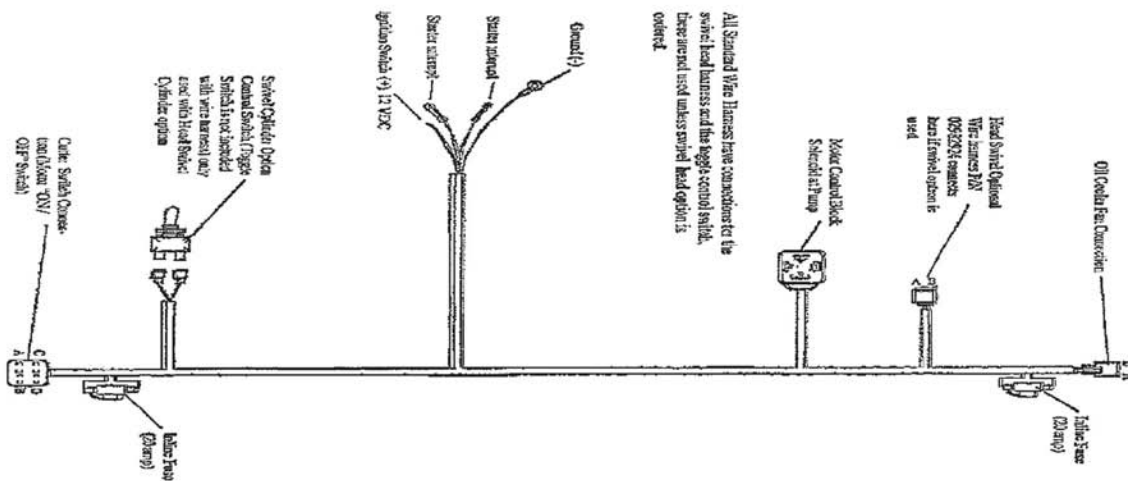
# COMMON CRATE COMPONENTS - MAN VALVE (PART 2)



**NOTE:**  
Appearance of some components may not be as shown depending on type tractor to be mounted.



COMMON CRATE LISTED IS FOR A CABLE CONTROLLED MANUAL VALVE, IF THE ELECTRO-HYDRAULIC (JOYSTICK) CONTROLLED VALVE OPTION.



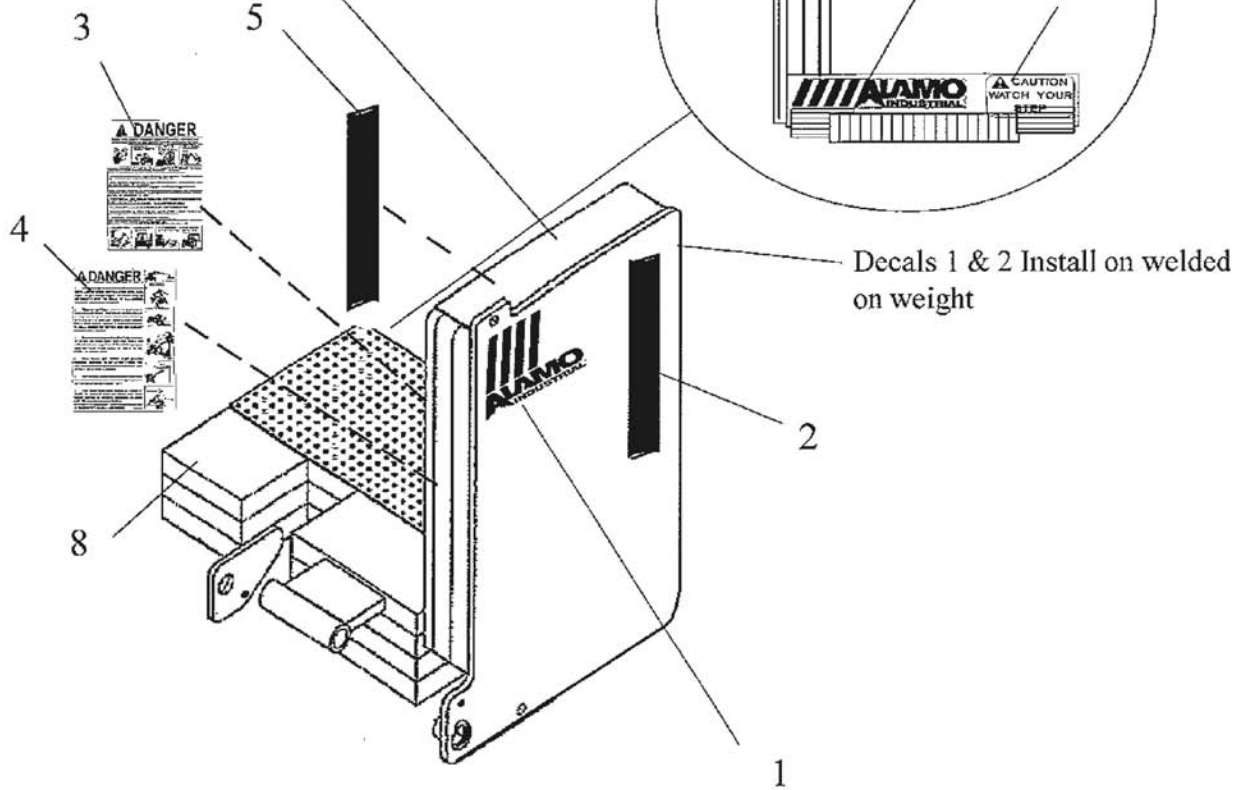
## COMMON CRATE COMPONENTS - MAN VALVE (PART 2)

Continued...

ITEM	PART NO.	QTY.	DESCRIPTION
46	02982581	1	WLDMT. HOSE GUIDE
47	02971191	1	WELDMENT, SWITCH MOUNT
48	02964028	1	SWITCH PUSH-PULL SPDT 10A@12V
50	02962748	1	DECAL-ON-OFF SWITCH CUTTER VLV
51	00749101	1	SPLIT FLANGE KIT 1-1/2
52	63042700	1	ADP HYD STGHT 12MB-8MJ
53	02961098	3	ADP HYD ELBOW 20MB -20MJ 90
54	02090800	3	ADP HYD ELBOW 12MB-12MJ90
55	02960409	2	ADP TUBE ELBOW 20MJ-20FJX 90?
56	02970451	4	HHCS 7/16NC 4-1/2 PL8
57	0100204	4	SPRING WASHER, 7/16 BZP
58	02972565	4	HHCS 3/8 NC 4-1/2 PL5
59	00012101	4	LOCKWASHER 3/8 PL HVY
60	02971243	5	CONTROL, ASY, SNGL AXIS
61	00023500	6	FLATWASHER 5/16 PL
62	02971272	3	HHCS 5/16NC 9-1/2 PL5
63	00750940	3	LOCKNUT TLM 5/16 NC PLB
64	02983355	1	BOLT BAG, AXXTREME, COMMON
	5312316	60	WASHER, 3/4" HARDENED
	00037200	32	NUT 3/4-NC TOPLOCK GRC PL
	02963646	4	HHCS 3/4 NC 2-1/2 PL8
	02972088	8	HHCS 3/4 NC 3-1/2 PL8
	02918600	8	HEXB 3/4-10UNC 2 PL8
	02959587	2	HEXB, 3/4-10 NC x 6" PL8
	03200269	4	HHCS 3/4 NC 3 PL8
	02963646	6	HHCS 3/4 NC 2-1/2 PL8
65	02986130	1	CABLE, MANUAL CANISTER, 24" LG
66	02986111	1	CABLE, PUMP COVER 36" LG

# COUNTER WEIGHT W-DECALS

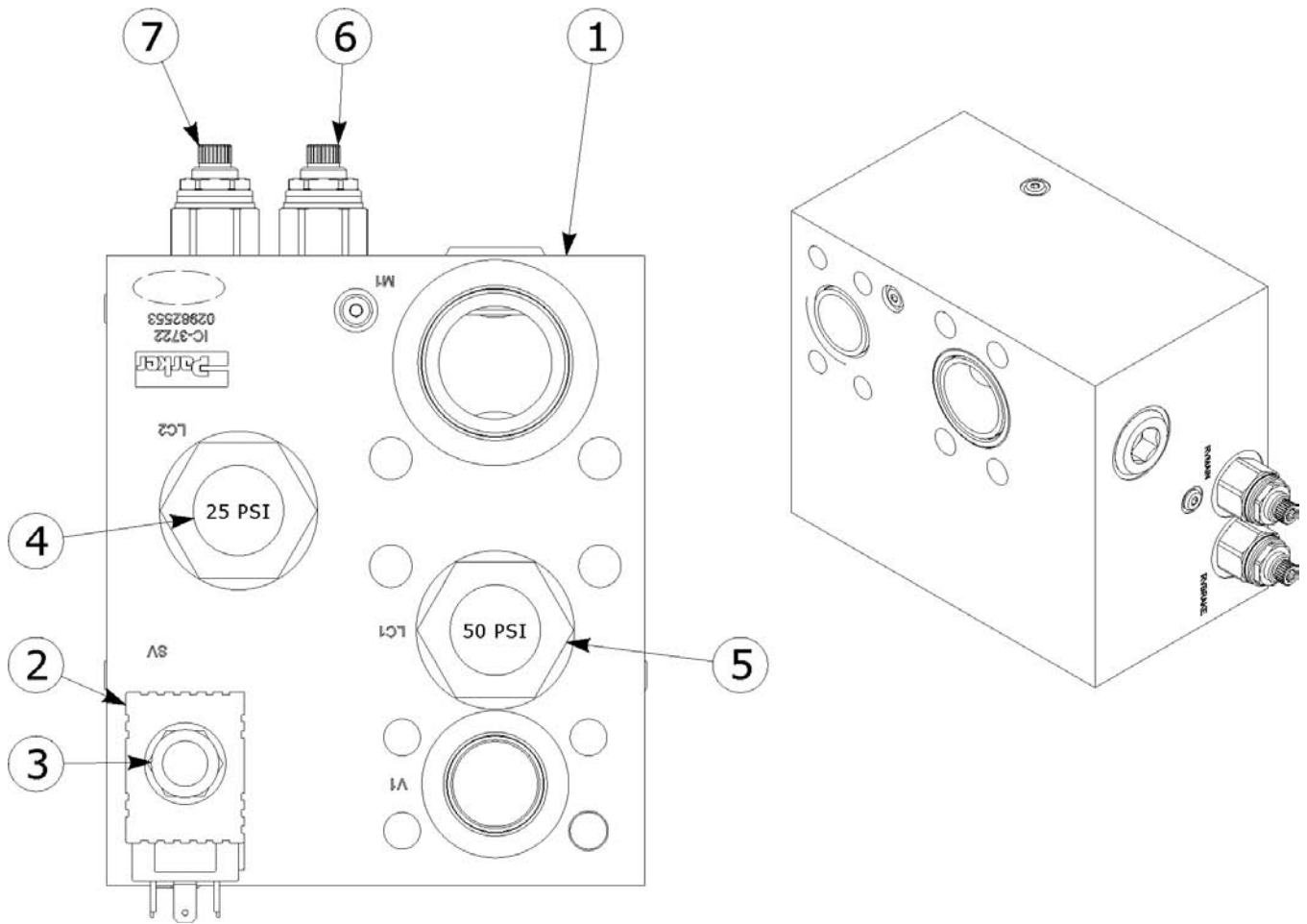
Decals 3, 4 & 5 Install on welded on weight facing rear tire



Decals 1 & 2 Install on welded on weight

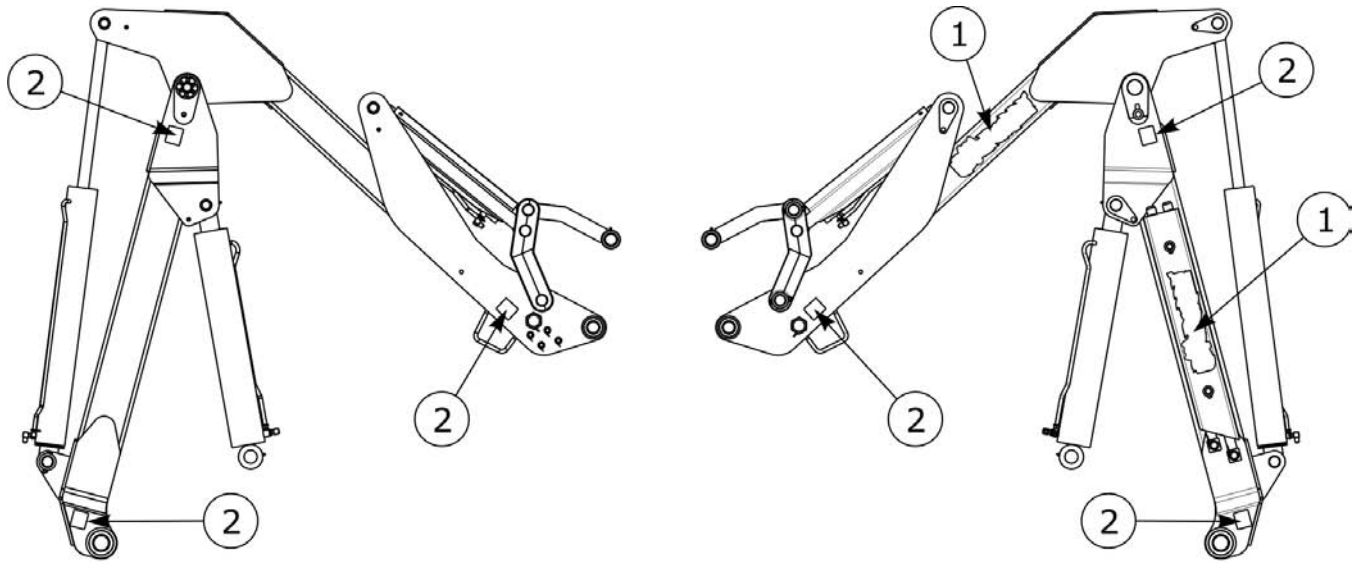
ITEM	PART NO.	QTY.	DESCRIPTION
1	002508	1	DECAL, ALAMO LOGO (SQUARE)
2	1458393	1	DECAL, REFLECTOR - YELLOW
3	02967827	1	DECAL, MULTI-DANGER
4	02958241	1	DECAL, TRACTOR OPERATOR SAFETY
5	1458392	1	DECAL, REFLECTOR - RED
6	02971943	1	DECAL, ALAMO INDUSTRIAL - YELLOW
7	03200285	1	DECAL, WATCH YOUR STEP
8	02981421	1	COUNTER WEIGHT WELDMENT F/ 24 & 30 FT. MODELS
9	02981422	1	COUNTER WEIGHT ADD FOR 30 FT MODELS

# CUTTER CONTROL VALVE BLOCK - PN 02982553



ITEM	PART NO.	QTY.	DESCRIPTION
1	02982553	1	CUTTER VALVE BLOCK ASY
2	02983513	1	COIL SOLENOID 12VDC DUAL SPADE
3	02984339	1	SOLENOID, CARTRIDGE 2P3W
4	02983516	1	LOGIC CART, 25 PSI, CUT VAL
5	02983517	1	LOGIC CART, 50 PSI, CUT VAL
6	02983515	1	RELIEF, MAIN, CUT VALVE, AXT
7	02983514	1	RELIEF, BRAKE, CUT VALVE, AXT
8	02986284A	1	KIT SEALS, LOGIC, RELIEF, AND SOLENOID
	02987375	1	SEAL KIT, SOLENOID CARTRIDGE
	02980979	1	SEAL KIT LOGIC VALVE
	02987165	1	SEAL KIT, RELIEF VALVE

## DECALS - 18-22-25 FT BOOM



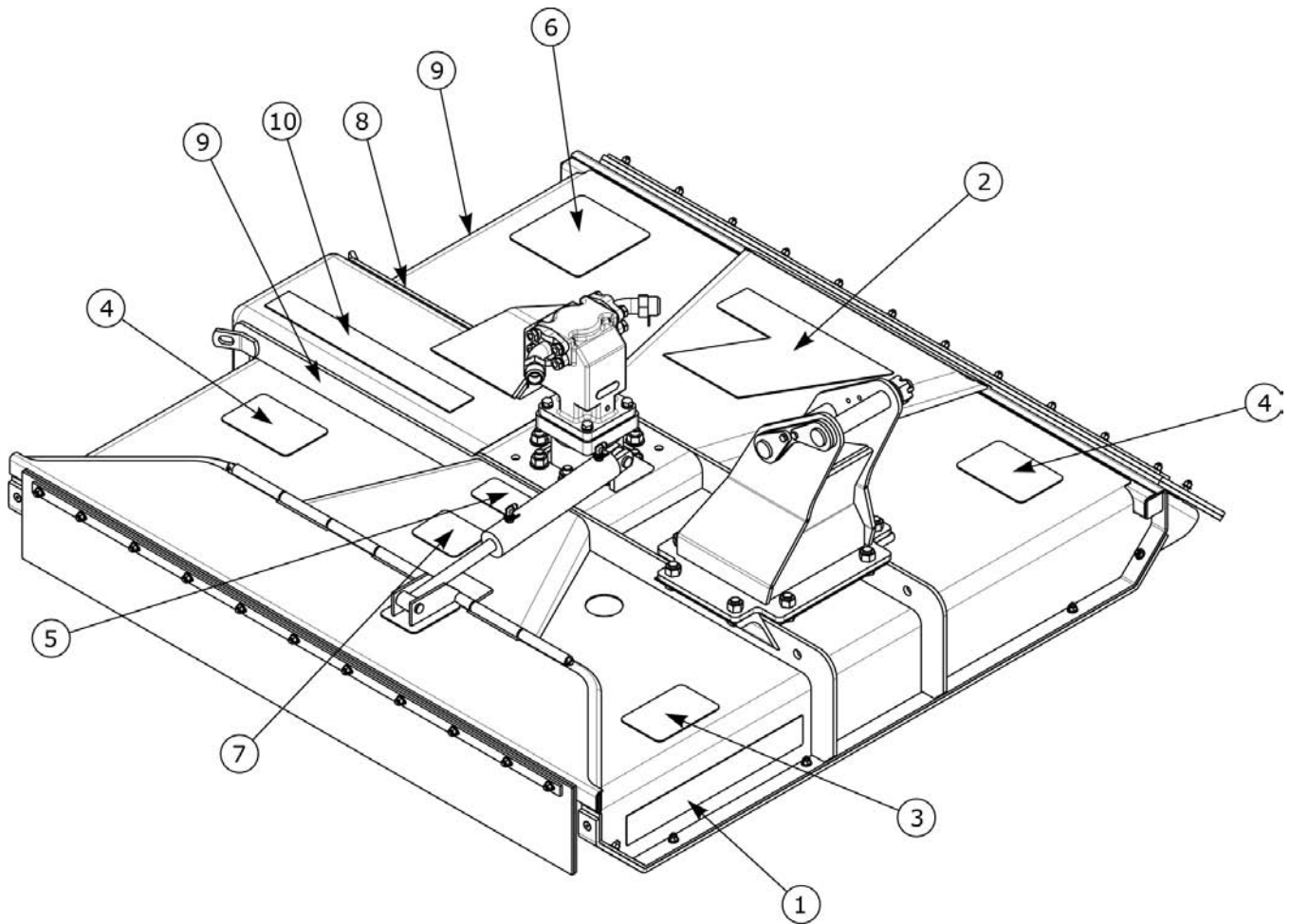
Decals -18 ft, 22ft, & 25ft Booms

18ft boom shown, 22ft and 25ft boom decals are in the same position as 18ft boom.

ITEM	PART NO.	QTY.	DESCRIPTION
1	02983263	2	DECAL, LOGO - (18 FT BOOM ONLY)
	02983264	2	DECAL, LOGO - (22 FT BOOM ONLY)
	02983265	2	DECAL, LOGO - (25 FT BOOM ONLY)
2	02962764	6	DECAL, PINCH POINTS (18-22-25 FT BOOMS)

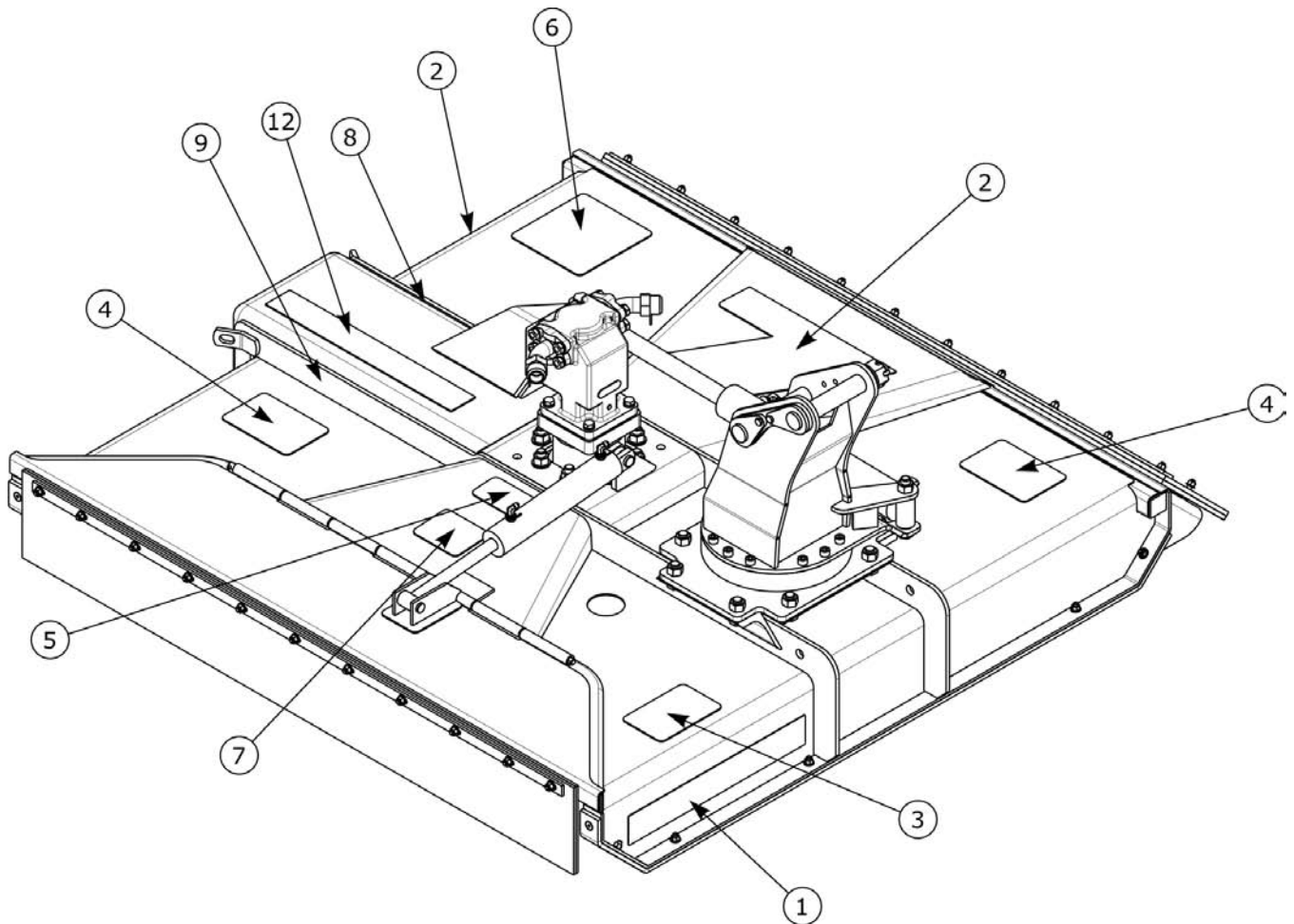


## DECALS - 60 IN ROTARY HEAD - SOLID MNT



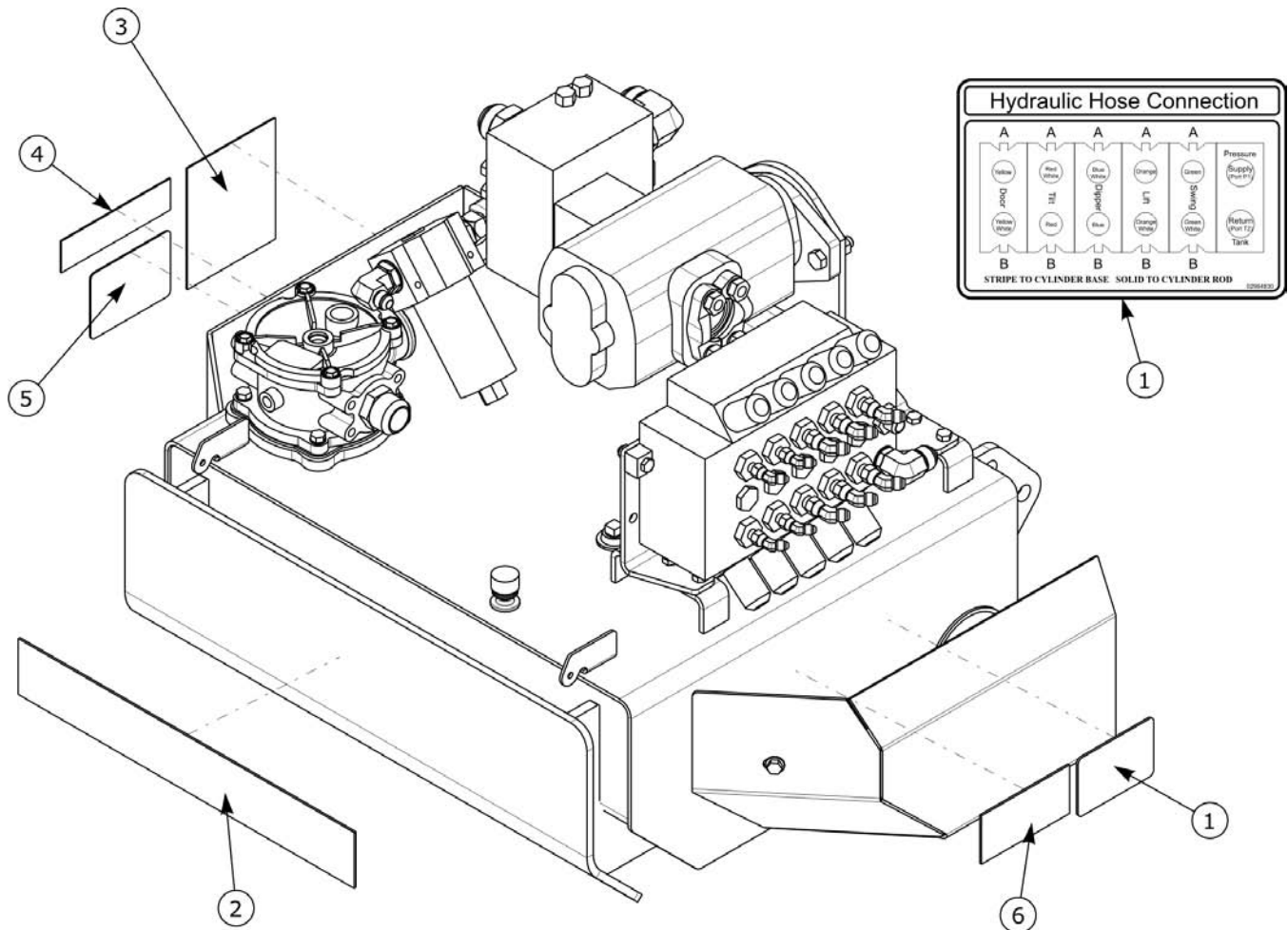
ITEM	PART NO.	QTY.	DESCRIPTION
1	00757139	2	DECAL, LOGO (ALAMO BY T.K.)
2	00757140	1	DECAL, ALAMO INDUSTRIAL LOGO
3	00769736	1	DECAL, USE/REPAIR GUARDS
4	00769737	2	DECAL, BLADES THROWN OBJECTS
5	02925100	1	DECAL, REPLACEMENT PARTS
6	02967827	1	DECAL, MULTI HAZARD
7	02967867	1	DECAL, DANGER SAFETY SHIELD
8	2738332	1	DECAL, RED OBLONG REFLECTOR
9	2738333	1	DECAL, YELLOW OBLONG REFLECTOR
10	02970889	1	DECAL, 60 ROTARY

## DECALS - 60 IN ROTARY HEAD - SWIVEL MNT



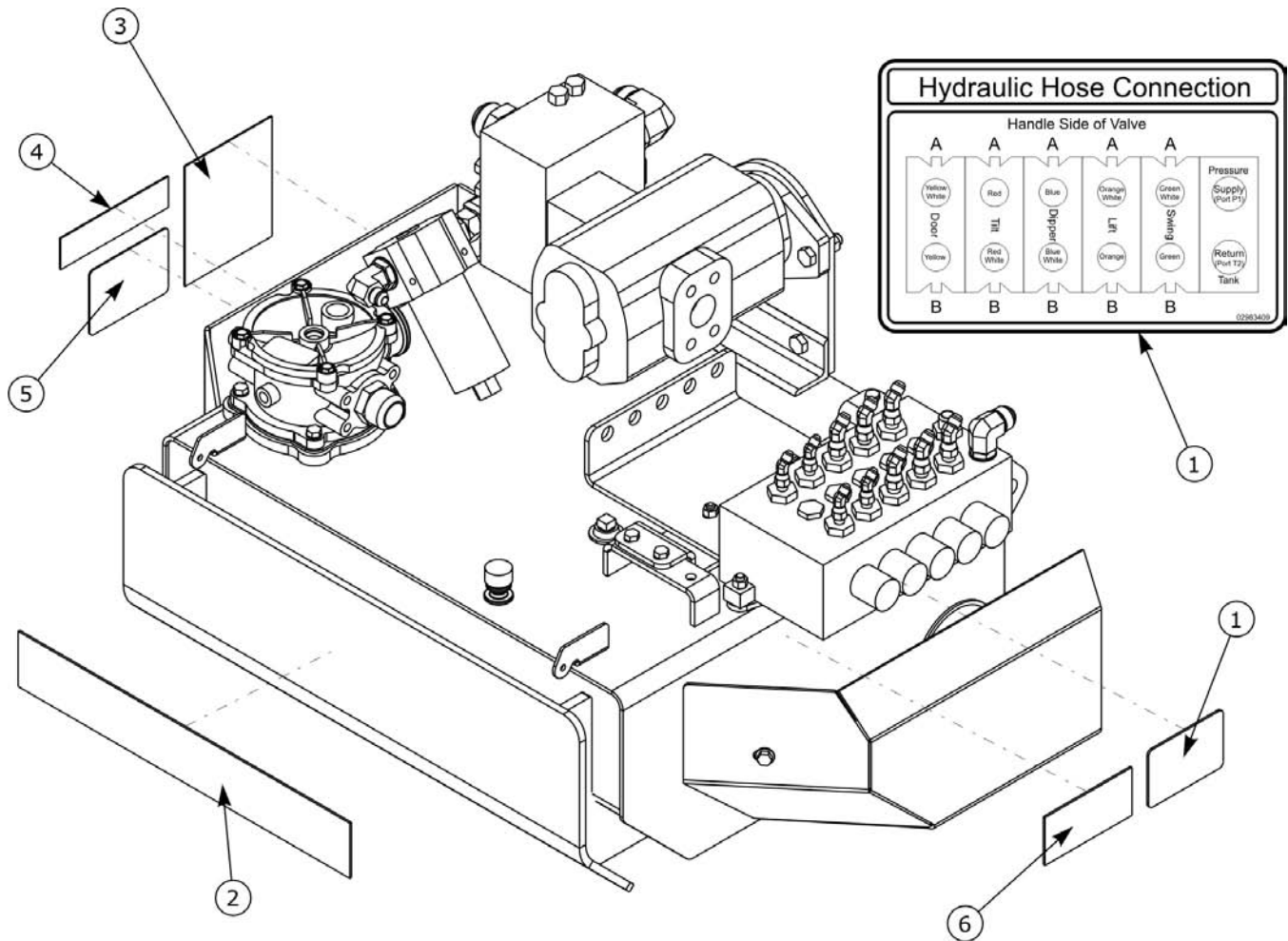
ITEM	PART NO.	QTY.	DESCRIPTION
1	00757139	2	DECAL, LOGO (ALAMO BY T.K.)
2	00757140	1	DECAL, ALAMO INDUSTRIAL LOGO
3	00769736	1	DECAL, USE/REPAIR GUARDS
4	00769737	2	DECAL, BLADES THROWN OBJECTS
5	02925100	1	DECAL, REPLACEMENT PARTS
6	02967827	1	DECAL, MULTI HAZARD
7	02967867	1	DECAL, DANGER SAFETY SHIELD
8	2738332	1	DECAL, RED OBLONG REFLECTOR
9	2738333	1	DECAL, YELLOW OBLONG REFLECTOR
10	02983209	1	PLATE, S/N 60" AXTRME SWIVEL ROTARY
11	02970889	1	DECAL, 60 ROTARY

# DECALS - HYD TANK & PUMP - ELECT VALVE



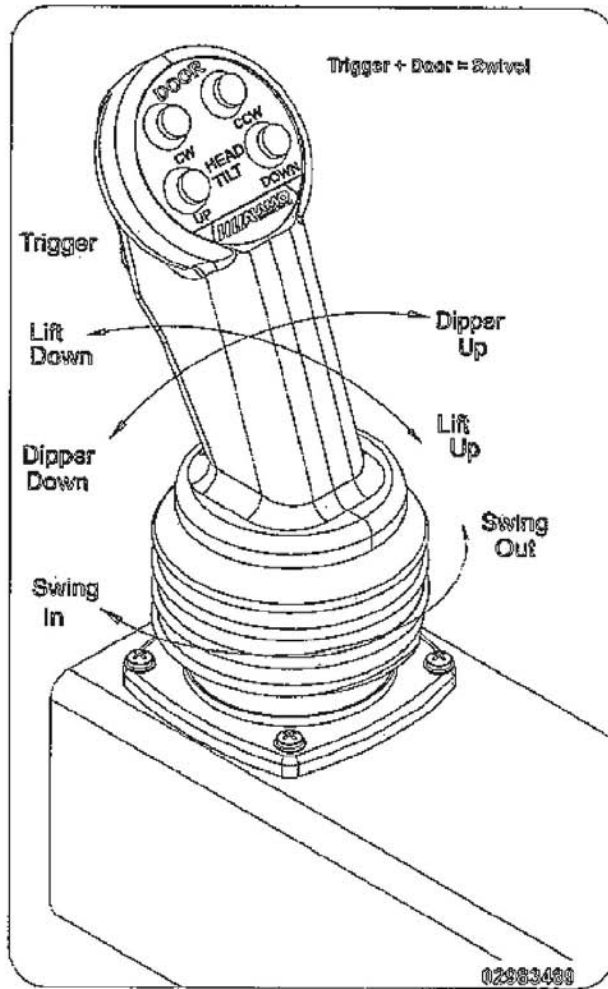
ITEM	PART NO.	QTY.	DESCRIPTION
1	02983409	1	DECAL, VALVE LAYOUT
2	02971943	1	DECAL, ALAMO INDUSTRIAL YELLOW
3	02965262	1	DECAL, WARNING HOSE BURST
4	02971123	1	DECAL, WARNING PRESSURIZED TANK
5	02982828	1	DECAL, TEMPERATURE RANGE
6	02982583	1	DECAL, CAUTION - DO NOT WELD

# DECALS - HYD TANK & PUMP - MAN VALVE



ITEM	PART NO.	QTY.	DESCRIPTION
1	02983409	1	DECAL, VALVE LAYOUT
2	02971943	1	DECAL, ALAMO INDUSTRIAL YELLOW
3	02965262	1	DECAL, WARNING HOSE BURST
4	02971123	1	DECAL, WARNING PRESSURIZED TANK
5	02982828	1	DECAL, TEMPERATURE RANGE
6	02982583	1	DECAL, CAUTION - DO NOT WELD

# DECALS - JOYSTICK OPERATION - PN 02983489



ITEM	PART NO.	QTY.	DESCRIPTION
1	02983489	1	DECAL, JOYSTICK OPERATION

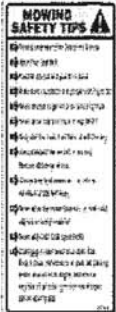
# DECALS - SAFETY BOOK LISTING



(1) P/N 00725746



(2) P/N 02965132



(3) P/N 33743



(4) P/N 00769737



(5) P/N 02967827



(6) P/N 6T3221



(7) P/N 02965141



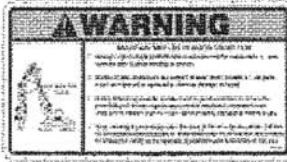
(8) P/N D352



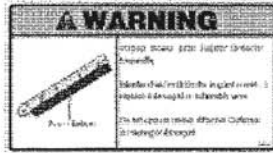
(9) P/N 22840



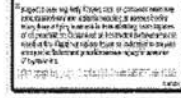
(10) P/N



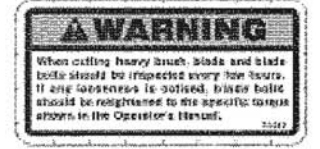
(11) P/N D376



(12) P/N 24028



(13) P/N 02965262



(14) P/N 33512



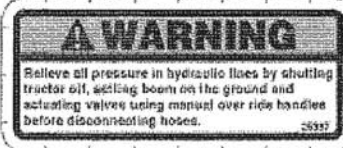
(15) P/N 02967867



(16) P/N D375



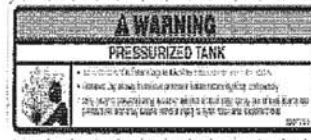
(17) P/N 02962765



(18) P/N 25387



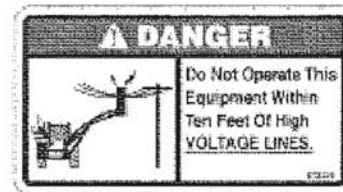
(19) P/N 02975515



(20) P/N 02971123



(21) P/N 02965093



(22) P/N 6T3225



(24) P/N 02958141



(23) P/N 32709

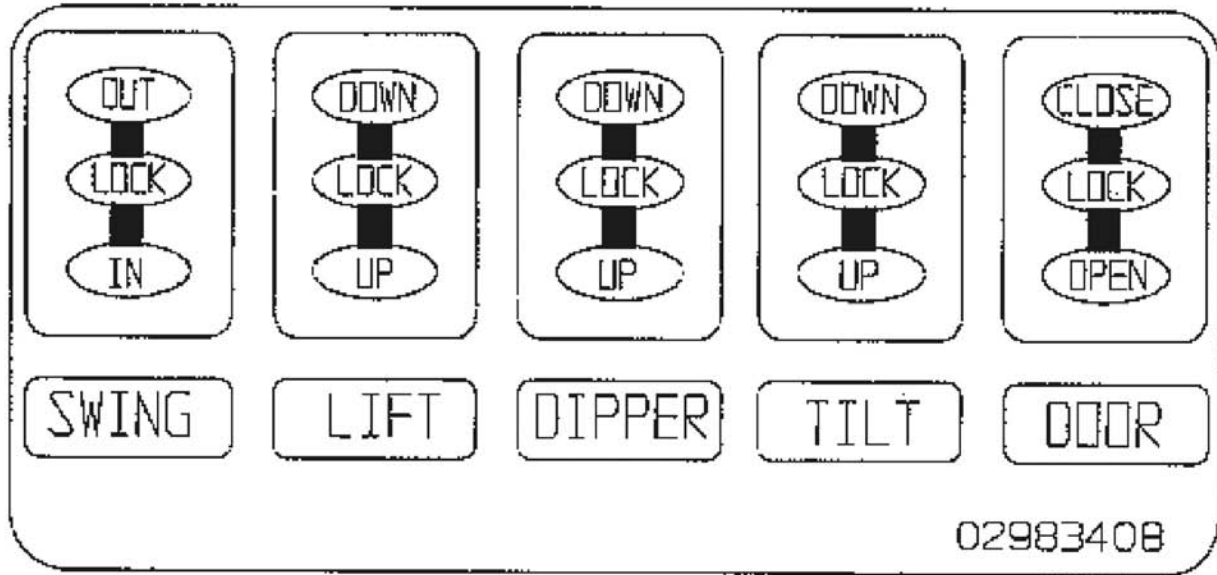
NOTE: Decals Are Not Shown Full Size to Scale

## DECALS - SAFETY BOOK LISTING

Continued...

ITEM	PART NO.	QTY.	DESCRIPTION
1	00725746	1	DECAL, PELIGRO
2	02965132	1	DECAL, SWINGING GUARD
3	33743	1	DECAL, MOWING SAFETY TIPS
4	00769737	1	DECAL, BLADES THROWN OBJECTS
5	02967827	1	DECAL, MULTI HAZARD
6	6T3221	1	DECAL, CAUTION - SPINDLE LUBE
7	02965141	1	DECAL, DANGER BOOM FLAILS
8	D352	1	DECAL, IMPORTANT - BE TRAINED
9	22840	1	DECAL, WARNING - FOREIGN OBJECTS
10	-----	1	DECAL, DANGER - THROWN OBJECT / CUTTING BLADES
11	D376	1	DECAL, WARNING - MAINTAIN SHIELDS IN GOOD CONDITION
12	24028	1	DECAL, WARNING - REPLACE WORN FLAP
13	02965262	1	DECAL, WARNING - HOSE BURST
14	33512	1	DECAL, INSPECT BLADE BOLTS - TORQUE
15	02967867	1	DECAL, DANGER - SAFETY SHIELD OPER
16	D375	1	DECAL, WARNING - REPLACE BLADE BOLTS W/BLADES
17	02962765	1	DECAL, MULTIPLE HAZARD
18	25387	1	DECAL, WARNING - RELIEVE PRES ACCUM
19	02975515	1	DECAL, WARNING DISCONNECT HYD SOLENOID BEFORE STARTING WORK
20	02971123	1	DECAL, WARNING - PRESSURIZED TANK
21	02965093	1	DECAL, PROPER ENGINE OPERATING
22	6T3225	1	DECAL, DANGER - 10 VOLTAGE LINES
23	32709	1	DECAL, REPLACEMENT PARTS
24	02958141	1	DECAL, DANGER - MAIN FRAME EXTâ€™N WLDMT
25	D377	1	SAFETY PAMPHLET, NOT SHOWN - ATTACHEED TO TRACTOR

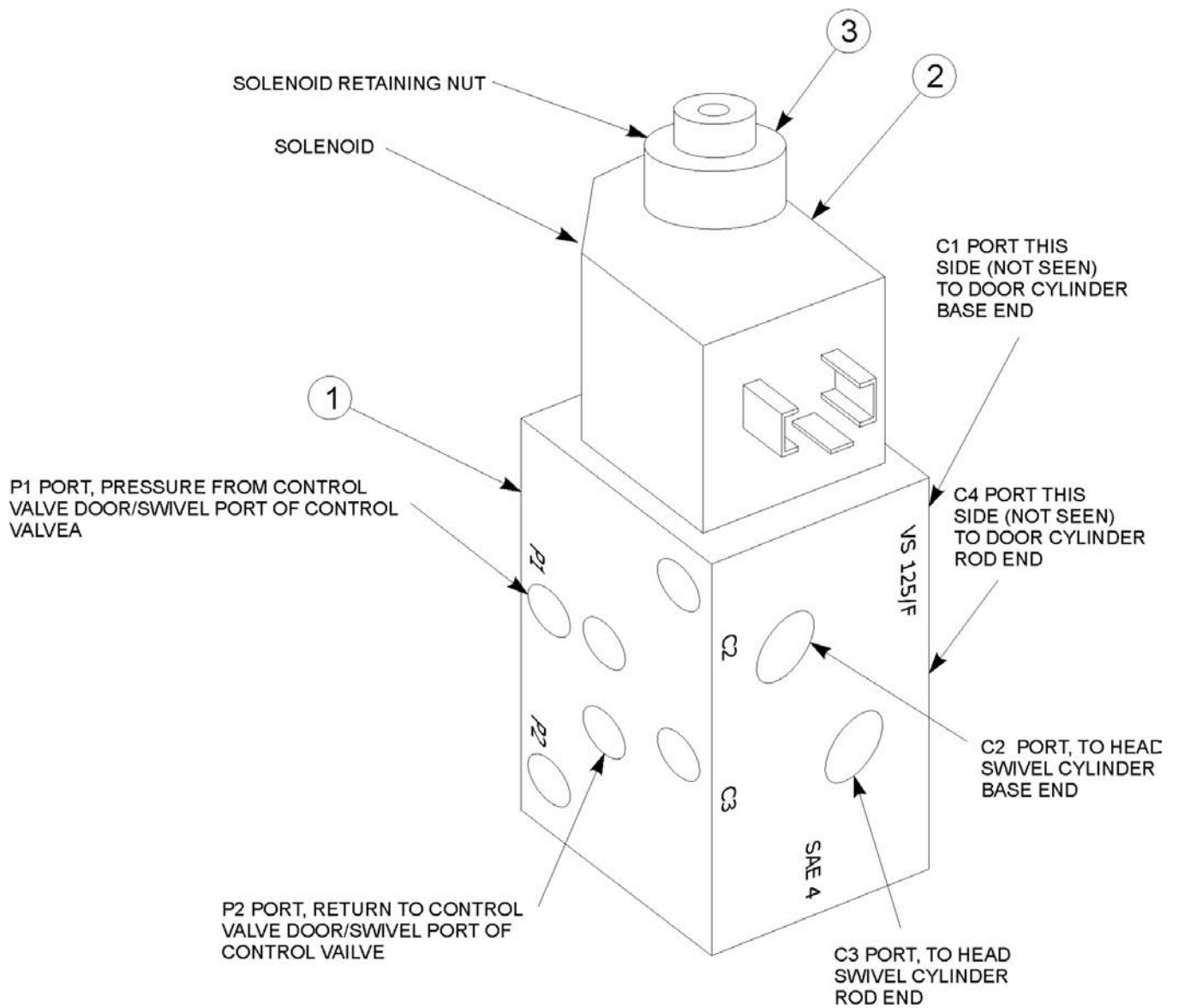
**DECALS - VALVE MAN HANDLE OPERATION - PN 02983408**



ITEM	PART NO.	QTY.	DESCRIPTION
1	02983408	1	DECAL, MAN VALVE CABLE OPERATION

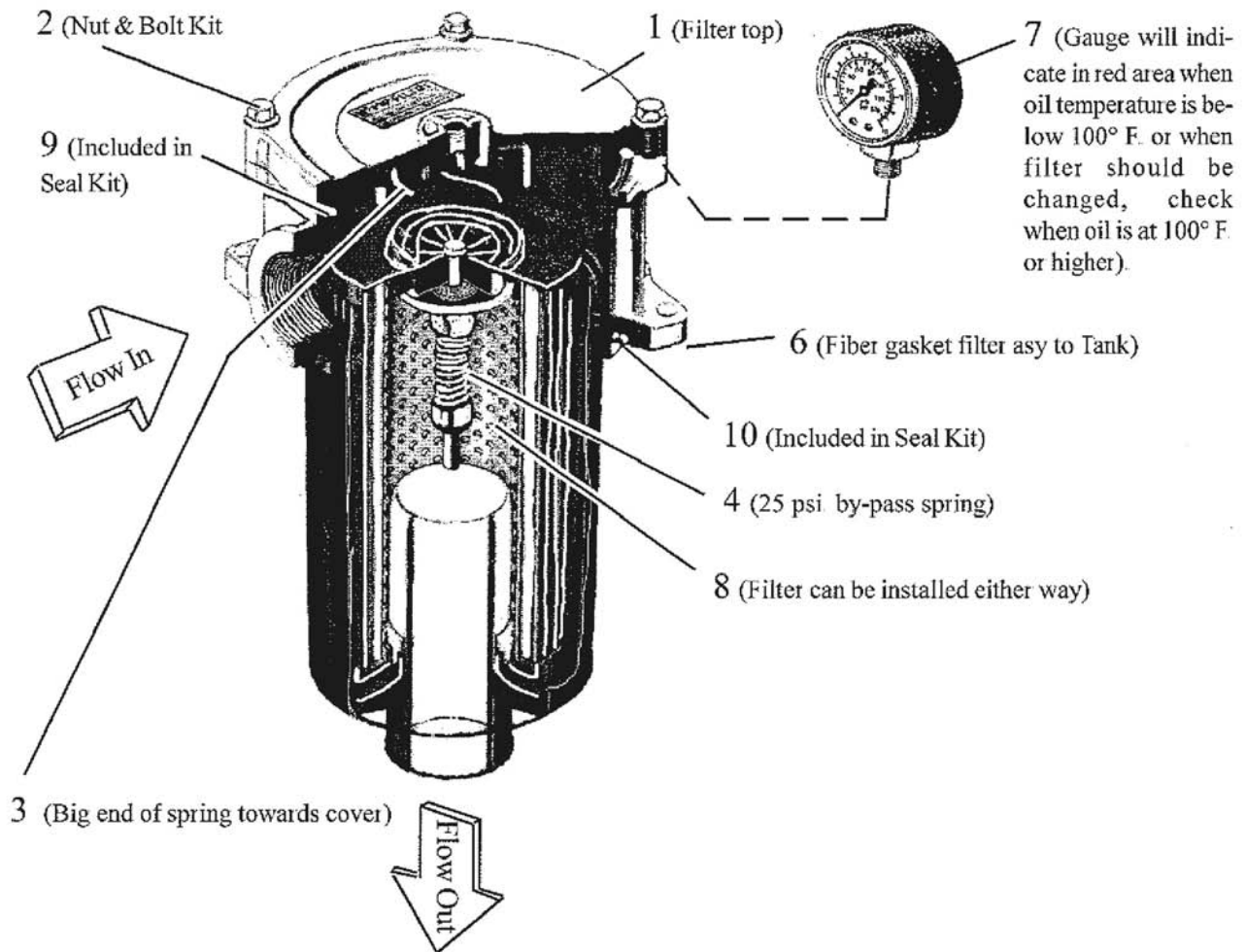


# DIVERTER VALVE - DOOR & SWIVEL - PN 02977622



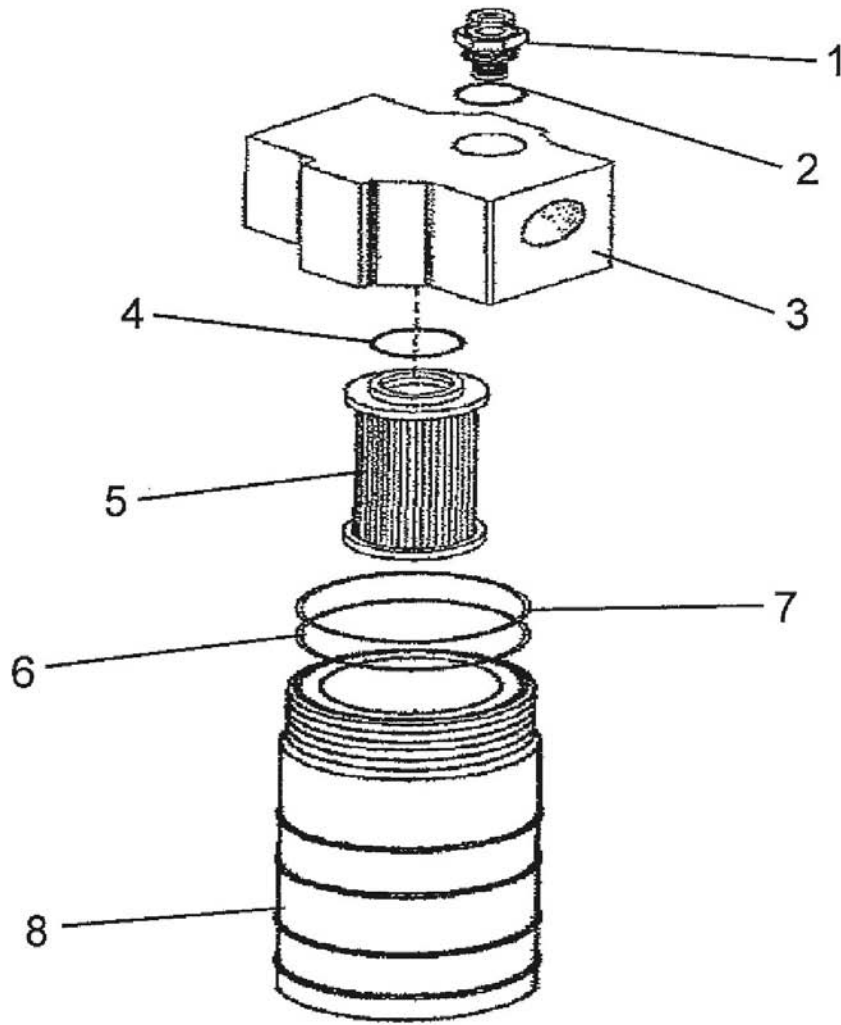
ITEM	PART NO.	QTY.	DESCRIPTION
1	02977622	1	VALVE SOLENOID DIVERTER SOLENOID VALVE ASY (INCLUDES ITEMS 2 & 3)
2	-----	1	SOLENOID
3	-----	1	SOLENOID RETAINING KNOB

# FILTER ASY - RETURN - PN 02964748



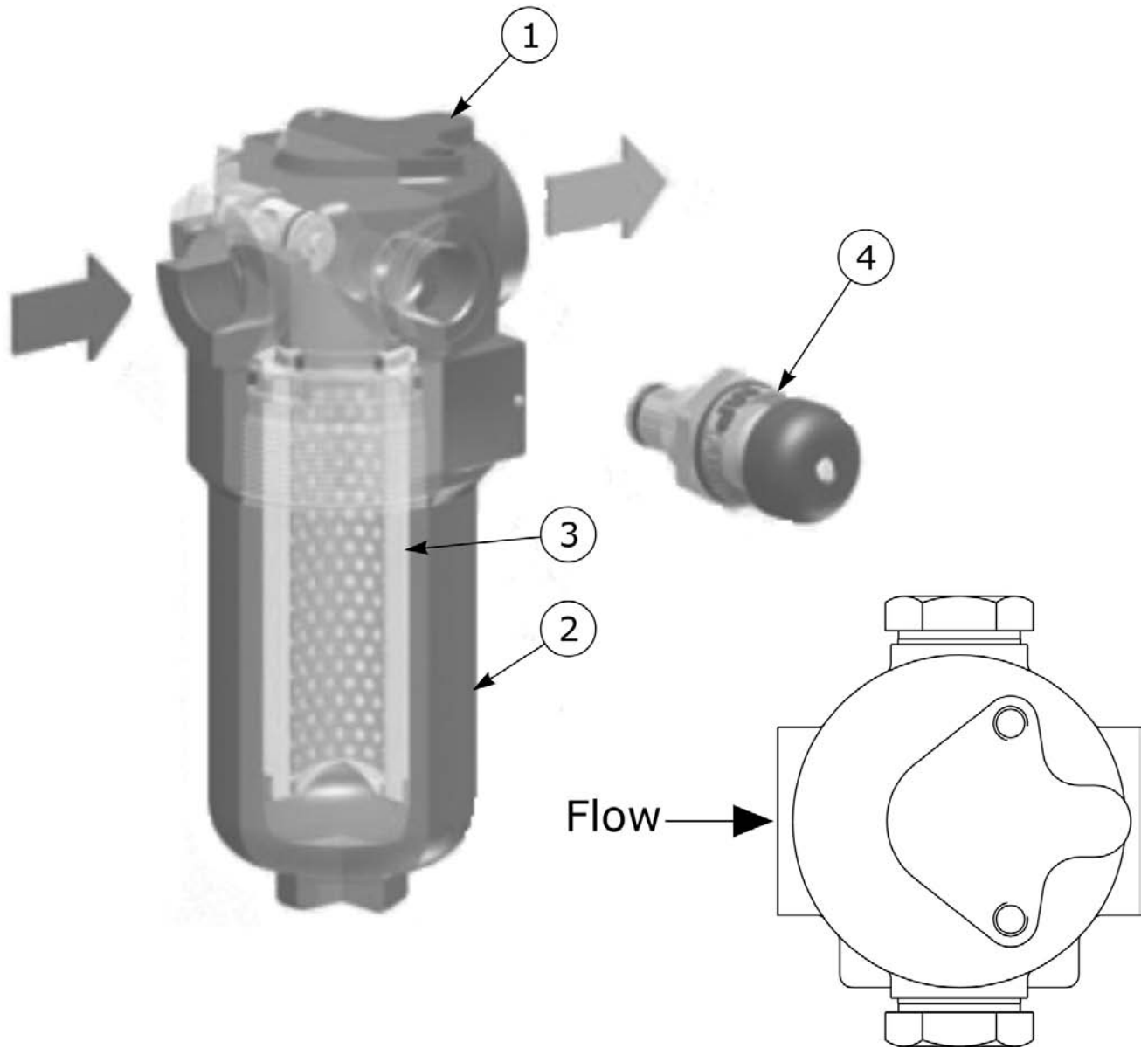
ITEM	PART NO.	QTY.	DESCRIPTION
	02964748	1	FILTER ASY, RETURN FILTER
1	02978349	1	FILTER TOP COVER
2	02978355	1	NUT & BOLT KIT, F/ TOP COVER
3	02972678	1	SPRING, FILTER CARTRIDGE
4	02973782	1	VALVE, FILTER BYPASS
5	02978354	1	SEAL KIT
6	02963662	1	GASKET, FILTER ASY TO TANK, FIBER
7	02962963	1	DIAL INDICATOR, RETURN FLOW (NOT INCLUDED IN FILTER ASY)
8	02961001	1	FILTER ELEMENT, REPLACEMENT CARTRIDGE
9	-----	1	O-RING, TOP COVER SEAL (INCLUDED IN ITEM 5)
10	-----	2	O-RING, CANNISTER SEAL (INCLUDED IN ITEM 5)

## FILTER ASY - PRESSURE - PN 02976066



ITEM	PART NO.	QTY.	DESCRIPTION
	02976066	1	FILTER ASY IN-LINE MACHETE
1	02983979	1	VISUAL INDICATOR W/BYPASS
2	02978266	1	HUB, 20R10 1BORE WITH
3	02976585	1	FILTER HEAD FOR 02976066
4	02651700	1	O-RING
5	02982038	1	FILTER REPLACEMENT ELEMENT
6	02976583	1	BACK UP RING
7	02976582	1	O-RING
8	02976584	1	BOWL 4 FOR 02976066 FILTER

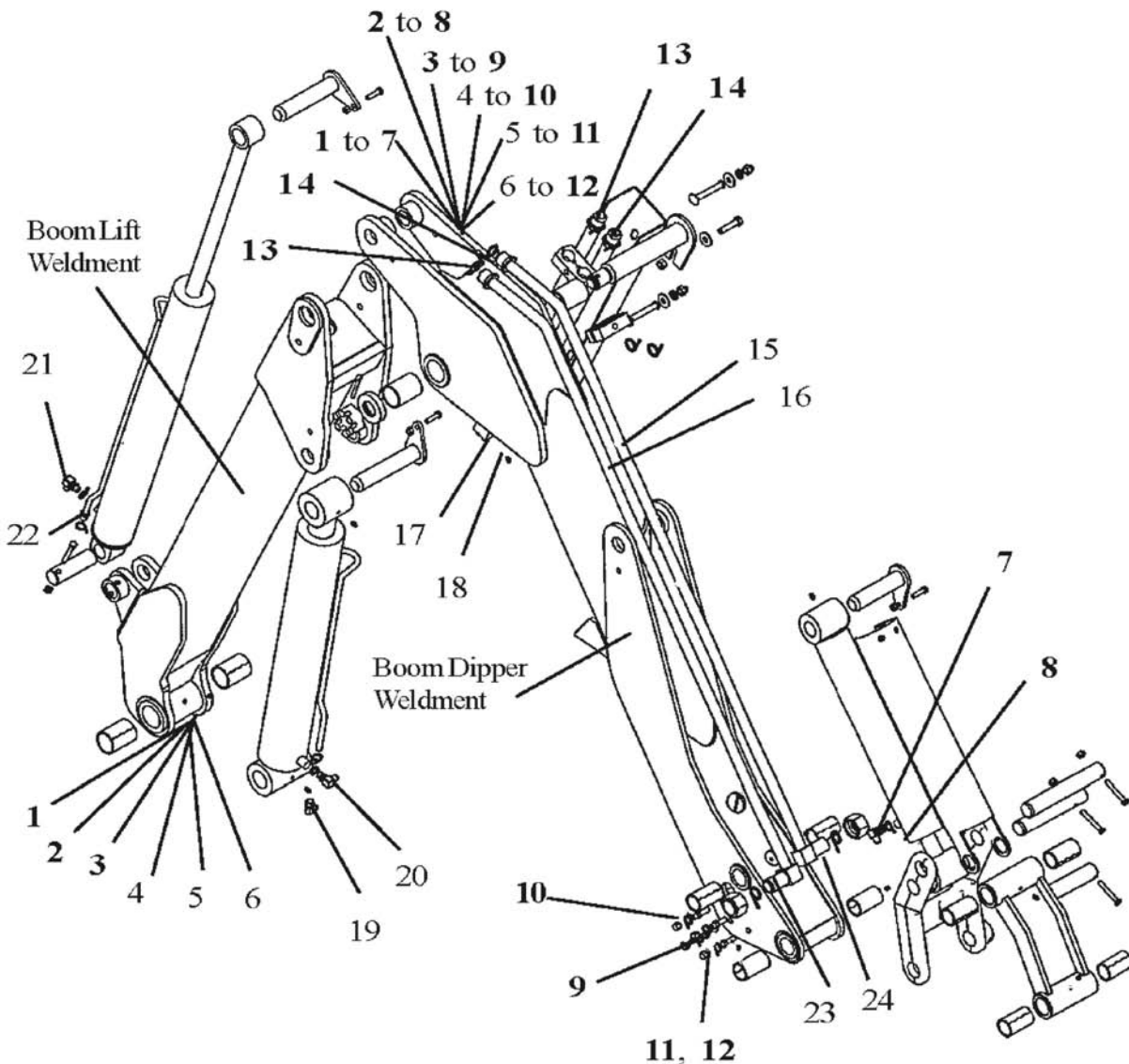
# FILTER ASY - PRESSURE - PN 02985280



ITEM	PART NO.	QTY.	DESCRIPTION
1	02985281	1	FILTER ASY, HEAD
2	02985282	1	BOWL, FILTER ASY
3	02985283	1	FILTER, ELEMENT
4	02985285	1	INDICATOR, VISUAL

**THIS PAGE INTENTIONAL LEFT BLANK**

## HOSE ROUTING - 18 FT BOOM



**NOTE:**

1: For clarity the hoses are not shown here. Items 1, 2, 3, 4, 5 and 6 hoses run up the side of the Boom Lift Weldment, these hoses will be connected to hoses item 7, 8, 9, 10, 11 and 12 with connectors. Hoses item 7, 8, 9, 10, 11 and 12 will be run down through the Boom Dipper weldment and will be connected to bulkhead fittings at the end of the boom dipper weldment. All hose connections will have plastic colored ties on them that are used for that hose, these colored ties must always be connected to the same color tie.

2: For clarity the hoses are not shown here. The hose item numbers shown are for the hose that are on the boom when shipped. the hoses that connect to Items 11, 12, 23 and 24 (at head end of dipper boom) are hoses that will vary depending on mount kit and type Cutter Head that will be attached to the Boom. These hoses will not be connected to the boom assembly when it is shipped (connected to the head), for part numbers for these hoses check the mount kit instructions and the type cutter head used.

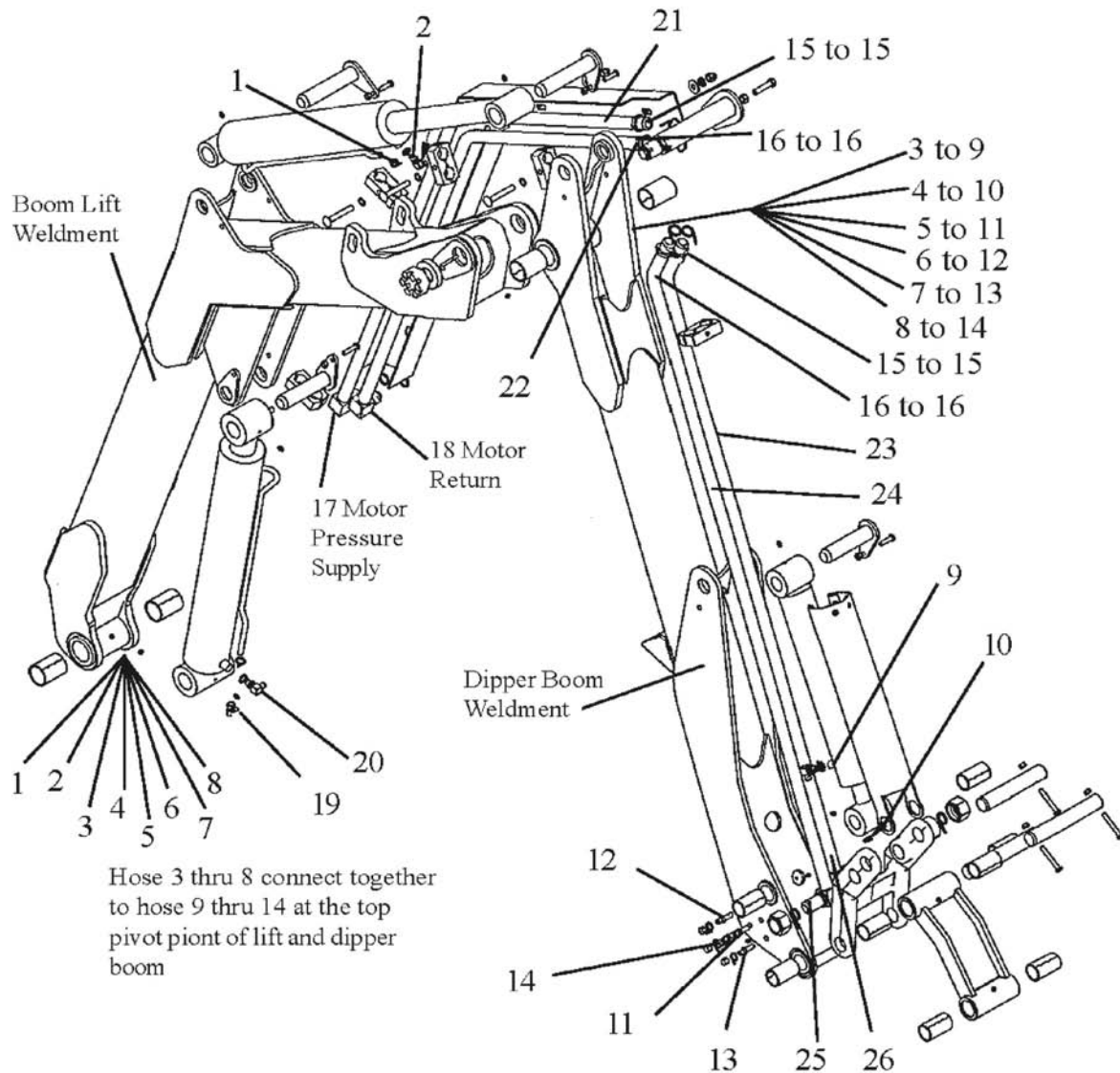
3: Hoses Item 5, 6, 11 & 12 are hoses used with the Swivel Head Option, these hoses will be installed into the boom when it is received. If the Swivel Head Option is not used these hoses will remain plugged and in the boom.

## HOSE ROUTING - 18 FT BOOM

Continued...

ITEM	PART NO.	QTY.	DESCRIPTION
1	02983346	1	HOSE, TILT (RED TIE) - CONNECT TO ITEM 7
2	02983347	1	HOSE, TILT (RED / WHITE TIE) - CONECT TO ITEM 8
3	02983348	1	HOSE, DOOR (YELLOW TIE) - CONNECT TO ITEM 9
4	02983349	1	HOSE, DOOR (YELLOW / WHITE TIE) - CONNECT TO ITEM 10
5	02983531	1	HOSE, HEAD SWIVEL (GREEN TIE) - CONNECT TO ITEM 11
6	02983532	1	HOSE, HEAD SWIVEL (GREEN / WHITE TIE) -CONNECT TO ITEM 12
7	02983350	1	HOSE, TILT (RED TIE) - CONNECT TO ITEM 1
8	02983351	1	HOSE, TILT (RED / WHITE TIE) - CONNECT TO ITEM 2
9	02983352	1	HOSE, DOOR (YELLOW TIE) - CONNECT TO ITEM 3
10	02983353	1	HOSE, DOOR (YELLOW / WHITE TIE) - CONNEC TO ITEM 4
11	02983533	1	HOSE, HEAD SWIVEL (GREEN TIE) - CONNECT TO ITEM 5
12	02983534	1	HOSE, HEAD SWIVEL (GREEN / WHITE TIE) - CONNECT OT ITEM 6
13	02984266	1	HOSE, PRESSURE (RED TIE) - CONNECTES TO 13 & 13
14	02984266	1	HOSE, RETURN (ORANGE TIE) - CONNECTS TO 14 & 14
15	02982414	1	STEEL TUBE, (ORANGE TIE) RETURN SIDE (DIPPER BOOM)
16	02982415	1	STEEL TUBE, (RED TIE) PRESSURE SIDE (DIPPER BOOM)
17	-----	1	HOSE, PRESSURE SUPPLY (RED TIE) - IN MOUNT KIT
18	-----	1	HOSE, RETURN (ORANGE TIE) - VARY W/ MOUNT KITMOUNT KIT
19	-----	1	HOSE, BOOM LIFT CYL (ORANGE TIE) - VARY W/ MOUNT KIT
20	-----	1	HOSE, BOOM LIFT CYL (ORANGE / WHITE) TIE) - VARY W/ MOUNT KIT
21	-----	1	HOSE, DIPPER LIFT CYL (BLUETIE) - VARY W/ MOUNT KIT
22	-----	1	HOSE, DIPPER LIFT CYLINDER (BLUE / WHITE TIE) - VARYS W/ MOUNT KIT
23	-----	1	HOSE, MOTOR PRESSURE SUPPLY (RED TIE) - VARY W/ HEAD OPTION
24	-----	1	HOSE, MOTOR RETURN (ORANGE TIE) - VARY W/ HEAD OPTION

## HOSE ROUTING - 22 FT BOOM



**NOTE:**

1: For clarity the hoses are not shown here. Items 1, 2, 3, 4, 5, 6, and 8 hoses run up the side of the Boom Lift Weldment, these hoses will be connected to hoses item 9, 10, 11, 12, 11, and 14 with connectors. Hoses item 9, 10, 11, 12, 13 and 114 will be run down through the Boom Dipper weldment and will be connected to bulkhead fittings at the end of the boom dipper weldment. All hose connections will have plastic colored ties on them that are used for that hose, these colored ties must always be connected to the same color tie hose.

2: For clarity the hoses are not shown here. The hose item numbers shown are for the hose that are on the boom when shipped. the hoses that connect to Items 17, 18, 25 and 26 (at head end of dipper boom) are hoses that will vary depending on mount kit and type Cutter Head that will be attached to the Boom. These hoses will not be connected to the boom assembly when it is shipped (connected to the head), for part numbers for these hoses check the mount kit instructions and the type cutter head used.

3: Hoses Item 7, 8, 13 & 14 are hoses used with the Swivel Head Option, these hoses will be installed into the boom when it is recieved. If the Swivel Head Option is not used these hoses will remain plugged and in the boom.

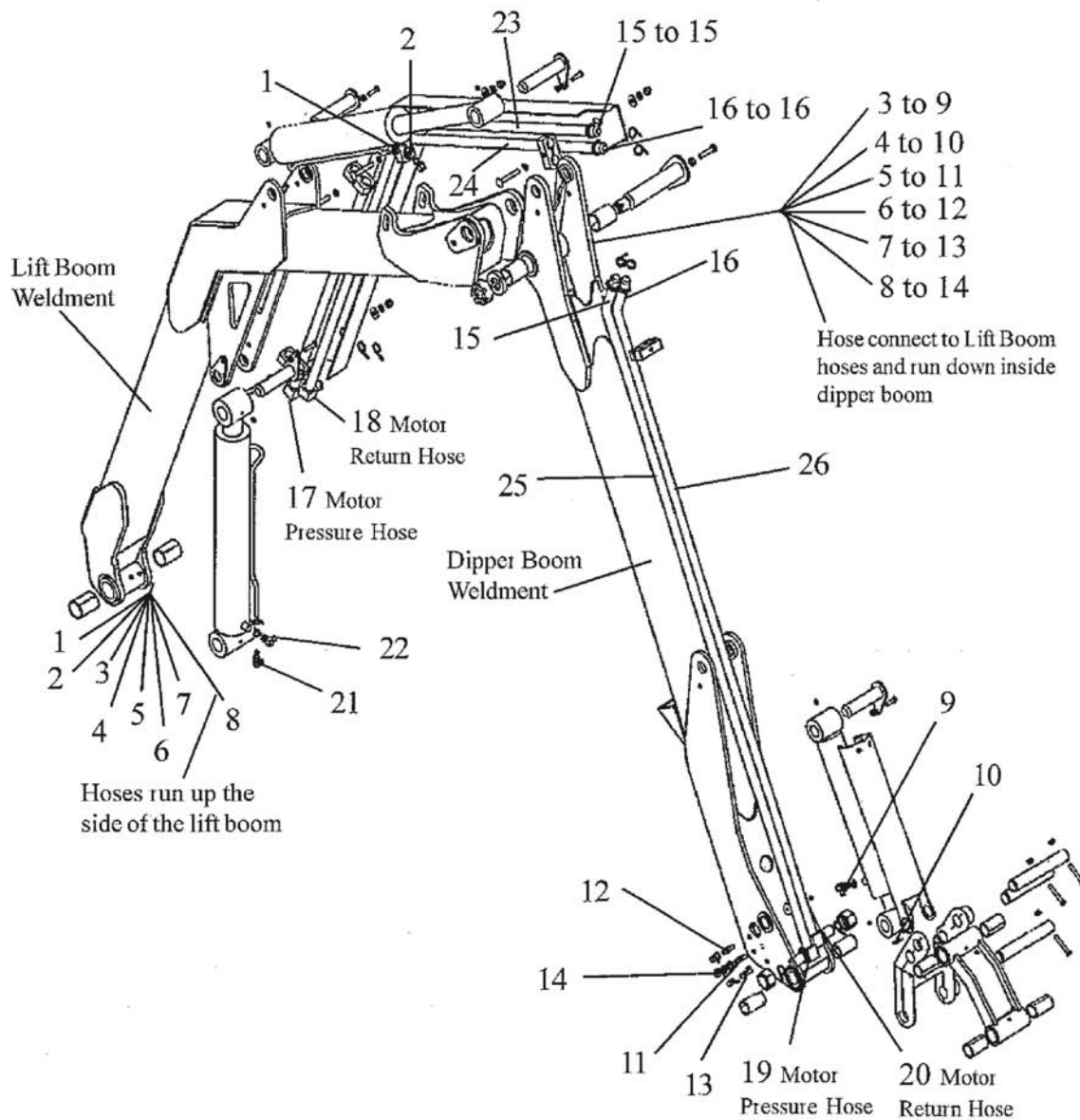


## HOSE ROUTING - 22 FT BOOM

Continued...

ITEM	PART NO.	QTY.	DESCRIPTION
1	02983178	1	HOSE, DIPPER CYL (BLUE TIE) - CONNECT TO ITEM 1
2	02983179	1	HOSE, DIPPER CYL (BLUE / WHITE TIE) - CONNECT TO ITEM 2
3	02983180	1	HOSE, TILT - LIFT BOOM (RED TIE) - CONNECT TO ITEM 9
4	02983181	1	HOSE, TILT - LIFT BOOM (RED / WHITE TIE) - CONNECT TO ITEM 10
5	02983182	1	HOSE, DOOR - LIFT BOOM (YELLOW TIE) - CONNECT TO ITEM 11
6	02983183	1	HOSE, DOOR - LIFT BOOM (YELLOW / WHITE TIE) - CONNECT TO ITEM12
7	02983503	1	HOSE, HEAD SWIVEL - LIFT BOOM (GREEN TIE) - CONNECT TO ITEM 13
8	02983504	1	HOSE, HEAD SWIVEL - LIFT BOOM (GREEN / WHITE TIE) - CONNECT TO ITEM 14
9	02983184	1	HOSE, TILT - DIPPER BOOM (RED TIE) CONNECT TO ITEM 3
10	02983185	1	HOSE, TILT - DIPPER BOOM (RED / WHITE TIE) - CONNECT TO ITEM 4
11	02983186	1	HOSE, DOOR - DIPPER BOOM (YELLOW TIE) - CONNECT TO ITEM 5
12	02983187	1	HOSE, DOOR - DIPPER BOOM (YELLOW / WHITE TIE CONNECTS TO ITEM 6
13	02983499	1	HOSE, HEAD SWIVEL - DIPPER BOOM (GREEN TIE) - CONNECT TO ITEM 7
14	02983500	1	HOSE, HEAD SWIVEL - DIPPER BOOM (GREEN / WHITE TIE) - CONNECT TO ITEM 8
15	02961054	1	HOSE, MOTOR PRESSURE - LIFT TO DIPPER BOOM (RED TIE) - CONNECT 15 TO 15
16	02961054	1	HOSE, MOTOR RETURN - LIFT TO DIPPER BOOM (ORANGE TIE) - CONNECT 16 TO 16
	-----	1	HOSE, MOTOR PRESSURE (RED TIE) - VARY W/ TYPE MOUNT KIT
17	-----	1	HOSE, MOTOR RETURN (ORANGE TIE) - VARY W/ TYPE MOUNT KIT
18	-----	1	HOSE, LIFT CYL (ORANGE / WHITE TIE) - VARY W/ TYPE MOUNT KIT
19	-----	1	HOSE, LIFT CYL (ORANGE TIE) - VARY W/ TYPE MOUNT KIT
20	02982704	1	STEEL TUBE, MOTOR PRESSURE - LIFT BOOM
21	02982705	1	STEEL TUBE, MOTOR RETURN - LIFT BOOM
22	02982706	1	STEEL TUBE, MOTOR PRESSURE - DIPPER BOOM
23	02982707	1	STEEL TUBE, MOTOR RETURN - DIPPER BOOM
24	-----	1	HOSE, MOTOR PRESSURE TO HEAD - VARY W/ HEAD OPTION
25	-----	1	HOSE, MOTOR RETURN FROM HEAD - VARY W/ HEAD OPTION

# HOSE ROUTING - 25 FT BOOM



**NOTE:**

1: For clarity the hoses are not shown here. Items 1, 2, 3, 4, 5, 6, 7 and 8 hoses run up the side of the Boom Lift Weldment, these hoses( 3, 4, 5, 6, 7 and 8) will be connected to hoses item 9, 10, 11, 12, 11, and 14 with connectors. Hoses item 9, 10, 11, 12, 13 and 14 will be run down through the Boom Dipper weldment and will be connected to bulkhead fittings at the end of the boom dipper weldment. All hose connections will have plastic colored ties on them that are used for that hose, these colored ties must always be connected to the same color tie hose.

2: For clarity the hoses are not shown here. The hose item numbers shown are for the hose that are on the boom when shipped the hoses that connect to Items 17, 18 (at lift boom), 25 and 26 (at head end of dipper boom) are hoses that will vary depending on mount kit and type Cutter Head that will be attached to the Boom. These hoses will not be connected to the boom assembly when it is shipped (connected to the head and in mount kit), for part numbers for these hoses check the mount kit instructions and the type cutter head used.

3: Hoses Item 7, 8, 13 & 14 are hoses used with the Swivel Head Option, these hoses will be installed into the boom when it is received. If the Swivel Head Option is not used these hoses will remain plugged and in the boom.

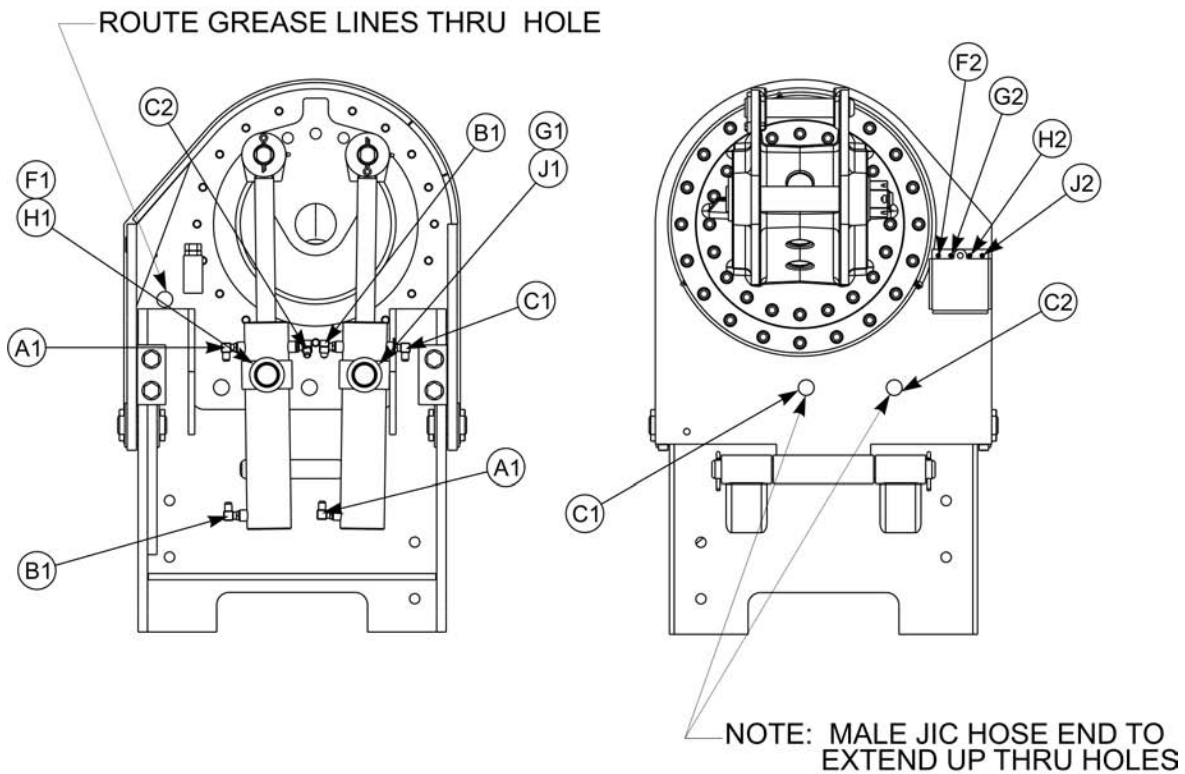
# HOSE ROUTING - 25 FT BOOM

Continued...

ITEM	PART NO.	QTY.	DESCRIPTION
1	02983188	1	HOSE, DIPPER CYL (BLUE TIE)
2	02983189	1	HOSE, DIPPER CYL (BLUE / WHITE TIE)
3	02983190	1	HOSE, TILT - LIFT BOOM (RED TIE) - CONNECTS TO ITEM 7
4	02983191	1	HOSE, TILT - LIFT BOOM (RED / WHITE TIE) - CONNECTS TO ITEM 8
5	02983192	1	HOSE, DOOR - LIFT BOOM (YELLOW TIE) - CONNECTS TO ITEM 9
6	02983193	1	HOSE, DOOR - LIFT BOOM (YELLOW / WHITE TIE) - CONNECTS TO ITEM 10
7	02983194	1	HOSE, TILT - DIPPER BOOM (RED TIE) - CONNECTS TO 3 & 7
8	02983195	1	HOSE, TILT - DIPPER BOOM (RED / WHITE TIE) - CONNECTS TO ITEMS 4 & 8
9	02983196	1	HOSE, DOOR - DIPPER BOOM (YELLOW TIE) - CONNECTS TO ITEMS 5 & 9
10	02983197	1	HOSE, DOOR - DIPPER BOOM (YELLOW / WHITE TIE) - CONNECTS TO ITEM 6 & 10
11	02961054	1	HOSE, PRESSURE (RED TIE) #20 - 20FJX - 20FJX90 - 52" LG
12	02961054	1	HOSE, RETURN (ORANGE TIE) #20 - 20FJX - 20FJX90 - 52" LG
13	-----	1	HOSE, MOTOR PRESSURE (RED TIE) IN MOUNT KIT
14	-----	1	HOSE, MOTOR RETURN (ORANGE TIE) IN MOUNT KIT
15	-----	1	HOSE, MOTOR PRESSURE (RED TIE) VARIES WITH TYPE HEAD
16	-----	1	HOSE, MOTOR RETURN (ORANGE TIE) VARIES WITH TYPE HEAD
17	-----	1	HOSE, LIFT CYL - IN MOUNT KIT
18	-----	1	HOSE, LIFT CYL - IN MOUNT KIT
19	02982708	1	STEEL TUBE, MOTOR PRESSURE (LIFT BOOM)
20	02982709	1	STEEL TUBE, MOTOR RETURN (LIFT BOOM)
21	02982711	1	STEEL TUBE, MOTOR PRESSURE (DIPPER BOOM)
22	02982710	1	STEEL TUBE, MOTOR RETURN (DIPPER BOOM)
23	02983501	1	HOSE, #4 - 4FJX - 4MJ - 158" LG
24	02983502	1	HOSE, #4 - 4FJX - 4MJ - 158" LG
25	02983505	1	HOSE, #4 - 4FJX - 4MJ - 102" LG
	02983506	1	HOSE, #4 - 4FJX - 4MJ - 102" LG

# HOSE ROUTING - SWING CYL (18-22-25 FT BOOM)

NOTE: C1& A1 NEED TO POINT  
TOWARDS REAR OF CYLINDER



HOSE ROUTING CHART

P/N	END1	END2
02981825	A1	A1
02981825	B1	B1
02981826	C1	C1
02981827	C2	C2

GREASE LINE ROUTING CHART

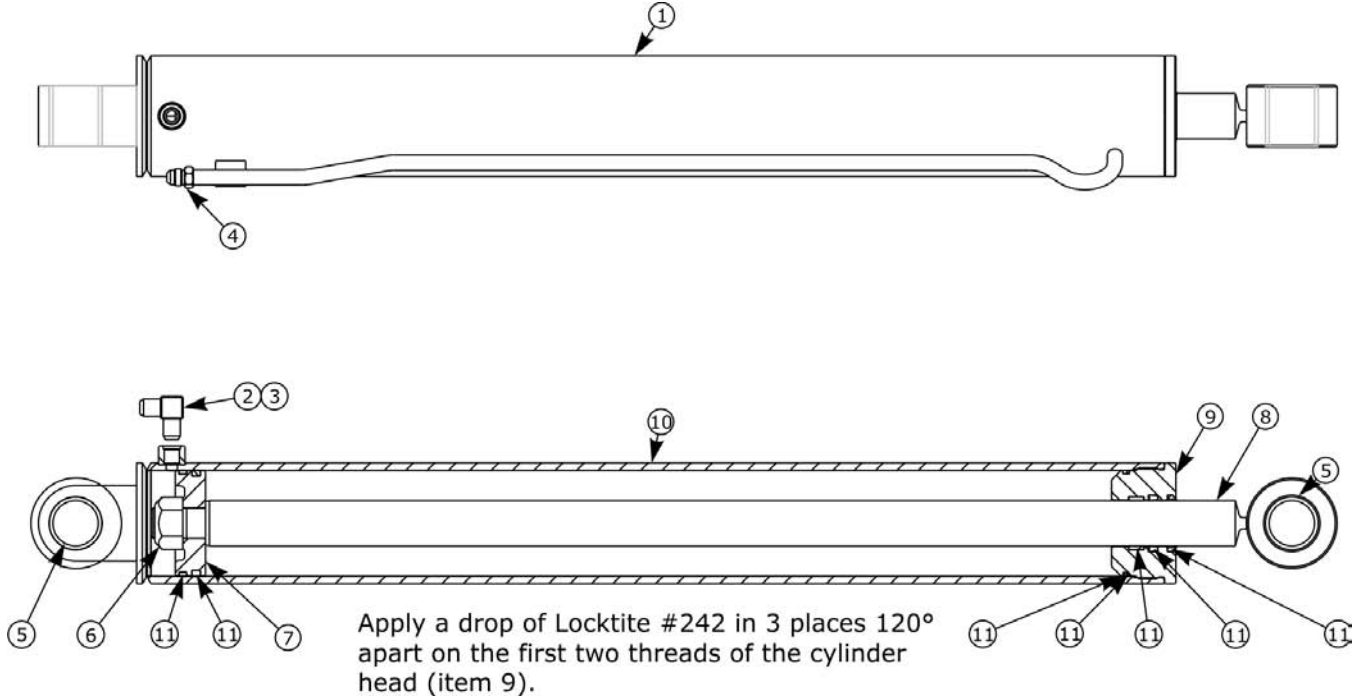
P/N	END1	END2
02983024	F1	F2
02983026	G1	G2
02983025	H1	H2
02983026	J1	J2

## HOSE ROUTING - SWING CYL (18-22-25 FT BOOM)

Continued...

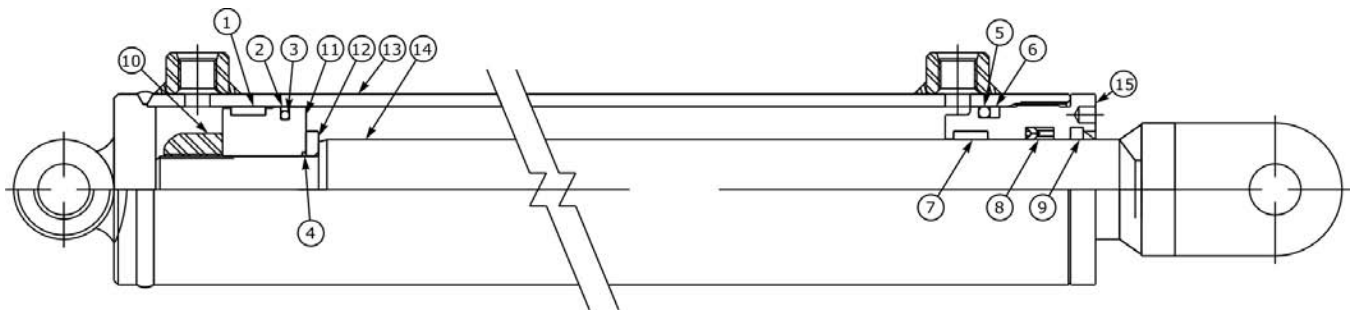
ITEM	PART NO.	QTY.	DESCRIPTION
A1	02981825	1	HOSE #6-6FJX-6FJX-28LG
B1	02981825	1	HOSE #6-6FJX-6FJX-28LG
C1	02981826	1	HOSE #6-6FJX-6MJ-22LG
C2	02981827	1	HOSE #6-6FJX-6MJ-16LG
F1	02983024	1	LINE,GREASE,MANIFOLD,SHORT
G1	02983026	1	LINE,GREASE,MANIFOLD,LONG
H1	02983025	1	LINE,GREASE,MANIFOLD,MED
J1	02983026	1	LINE,GREASE,MANIFOLD,LONG

# HYD CYL ASY - DIPPER (18 FT BOOM) - PN 02979920



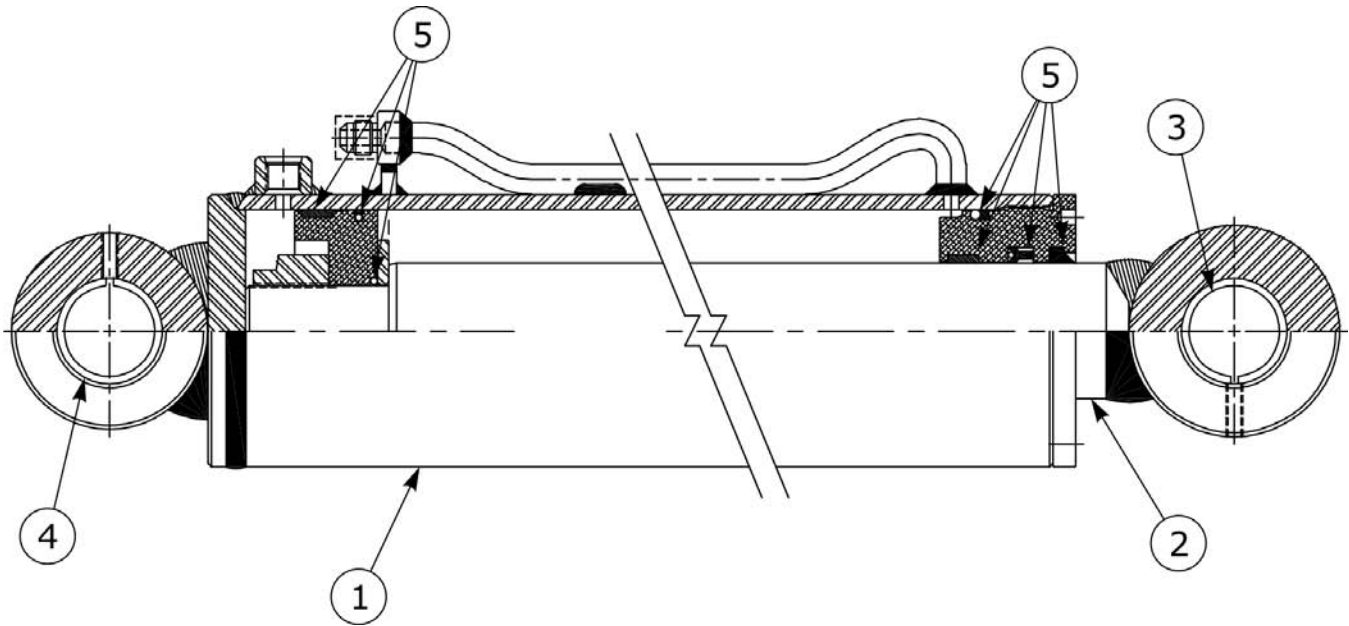
ITEM	PART NO.	QTY.	DESCRIPTION
	02979920	1	DIPPER CYLINDER ASY.
1	02979784	1	CYLINDER HEAD
2	63149100	1	ADAPTER, ELBOW
3	02968830	1	PLASTIC TIE - W/ BLUE TIE
4	02968831	1	PLASTIC TIE - W/ BLUE / WHITE TIE
5	02968803	2	BUSHING
6	5JRC16140	1	LOCKNUT
7	002625	1	PISTON
8	02978823	1	ROD WLDâ€™MT
9	02979947	1	CYLINDER HEAD
10	02979924	1	TUBE / BARREL WLDâ€™MT
11	02975531	1	SEAL KIT

# HYD CYL ASY - HEAD SWIVEL (OPTIONAL) - PN 02981315



ITEM	PART NO.	QTY.	DESCRIPTION
	02981315	1	HYD CYL ASY, HEAD SWIVEL (OPTIONAL)
1	-----	1	WEAR RING, (SEE SEAL KIT)
2	-----	1	BACK-UP RING, (SEE SEAL KIT)
3	-----	1	O-RING, (SEE SEAL KIT)
4	-----	1	O-RING, (SEE SEAL KIT)
5	-----	1	O-RING, (SEE SEAL KIT)
6	-----	1	BACK-UP RING, (SEE SEAL KIT)
7	-----	1	WEAR RING, (SEE SEAL KIT)
8	-----	1	LOADED U-CUP, (SEE SEAL KIT)
9	-----	1	ROD WIPER, (SEE SEAL KIT)
10	----N/S----	1	LOCKNUT, (NON-SALEABLE)
11	----N/S----	1	PISTON, (NON-SALEABLE)
12	----N/S----	1	PISTON WASHER, (NON-SALEABLE)
13	02981935	1	BARREL WLDâ€™MT
14	02981934	1	ROD WLDâ€™MT
15	----N/S----	1	INTERNAL HEAD, (NON-SALEABLE)
16	02982072	1	SEAL KIT (ITEMS 1 THRU 9)

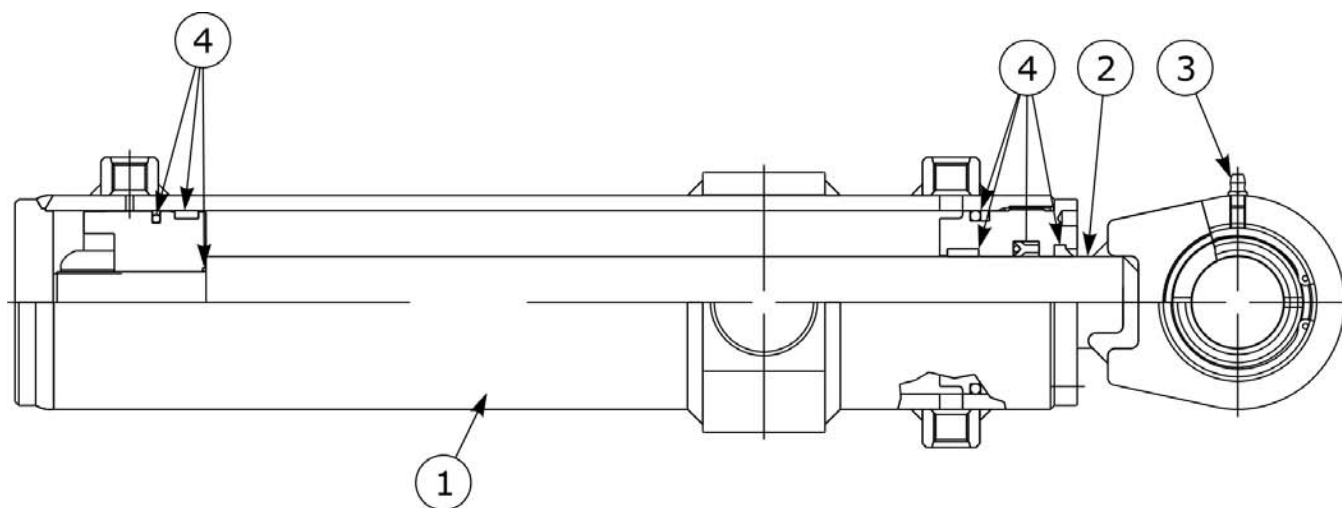
# HYD CYL ASY - LIFT (18-22-25 FT BOOM) - PN 02981279



ITEM	PART NO.	QTY.	DESCRIPTION
	02981279	1	CYLINDER ASY, 4" BORE X 24.63" STROKE
1	02981929	1	BARREL WLDâ€™MT
2	02981930	1	ROD WLDâ€™MT
3	02982250	2	BUSHING, ROD END 1-1/2" LG
4	02982251	2	BUSHING, BARREL END 2" LG
5	02982068	1	SEAL KIT

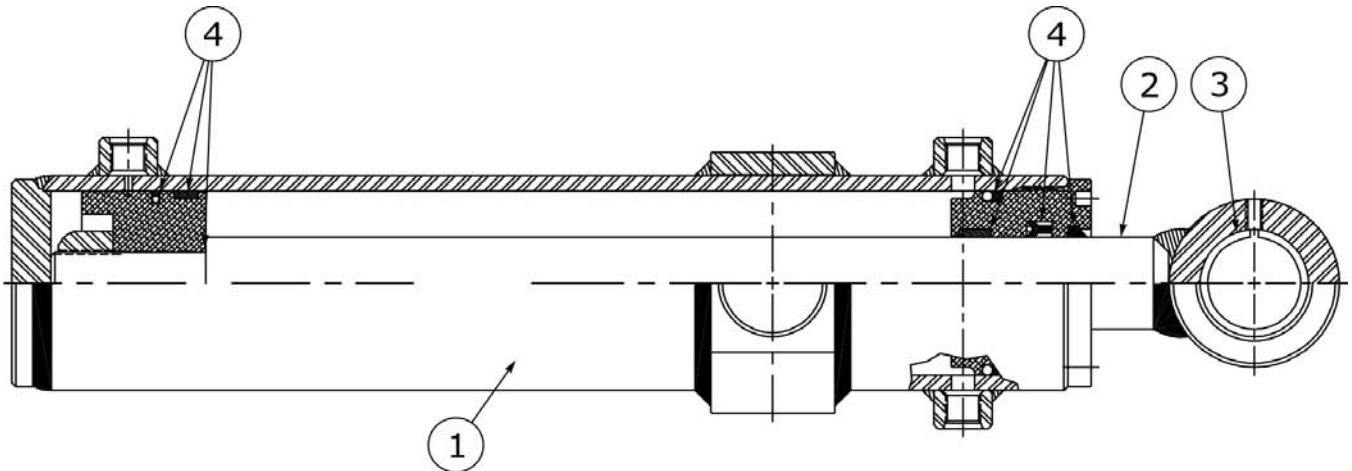


# HYD CYL ASY - SWING W/ SPHERICAL ROD END - PN 02981275A



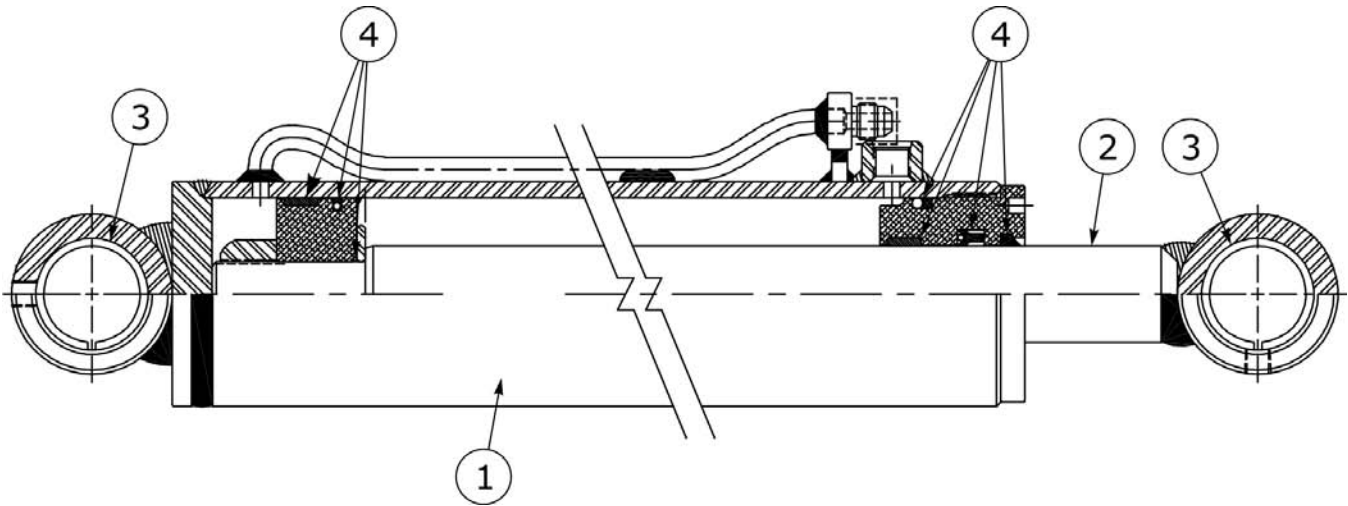
ITEM	PART NO.	QTY.	DESCRIPTION
	02981275A	1	HYD CYL ASY, SWING CYL (W/ SPHERICAL ROD END)
1	02981921	1	BARREL WELDMENT
2	02981922A	1	ROD ASY (W/ SPHERICAL ROD END)
3	00752670	1	GREASE FITTING
4	02982068	1	SEAL KIT

# HYD CYL ASY - SWING W/ TUBE ROD END - PN 02981275



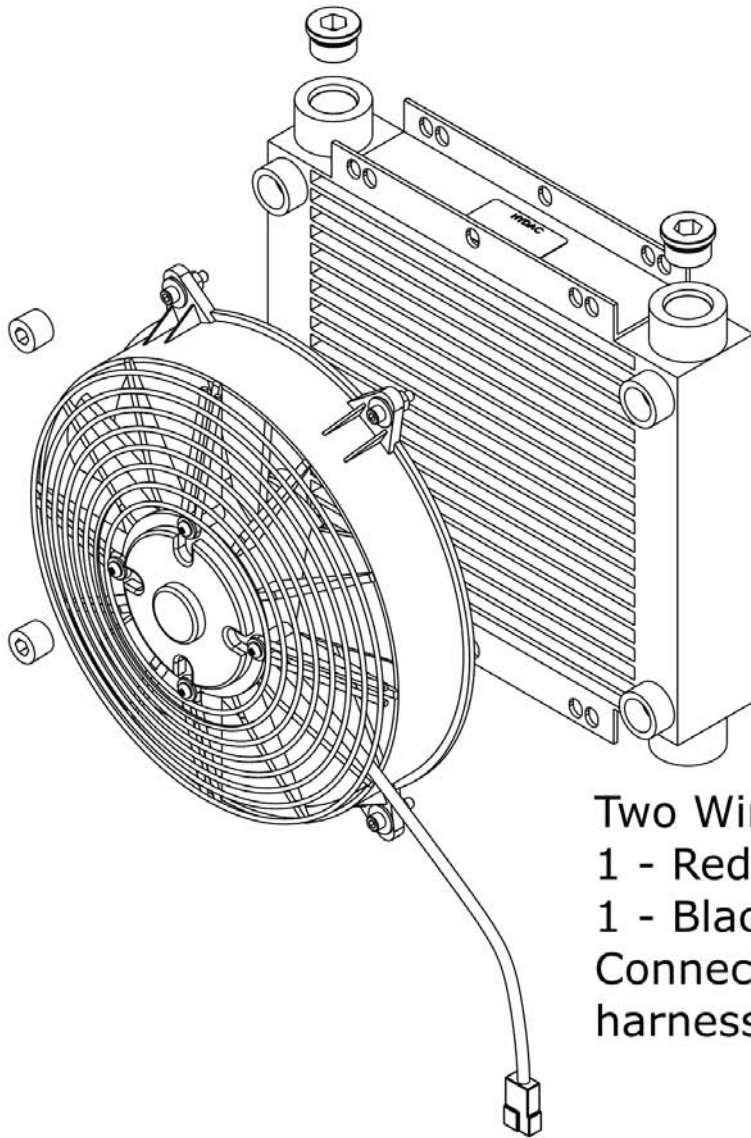
ITEM	PART NO.	QTY.	DESCRIPTION
	02981275	1	HYD CYL ASY, SWING CYL (W/ TUBE ROD END)
1	02981921	1	BARREL ASY
2	02981922	1	ROD ASY (W/ TUBE ROD END)
3	00752670	1	GREASE FITTING 1/4-28 BOLT THD
4	02982068	1	SEAL KIT

# HYD CYL ASY - TILT (18-22-25 FT BOOM) - PN 02981280



ITEM	PART NO.	QTY.	DESCRIPTION
	02981280	1	HYD CYLINDER ASY, 3" BORE X 16" STROKE (TILT CYL)
1	02981931	1	BARREL WLDâ€™MMT
2	02981932	1	ROD WLDâ€™MMT
3	02982250	2	BUSHING, ROD END 1-1/2" LG
4	02982071	1	SEAL KIT

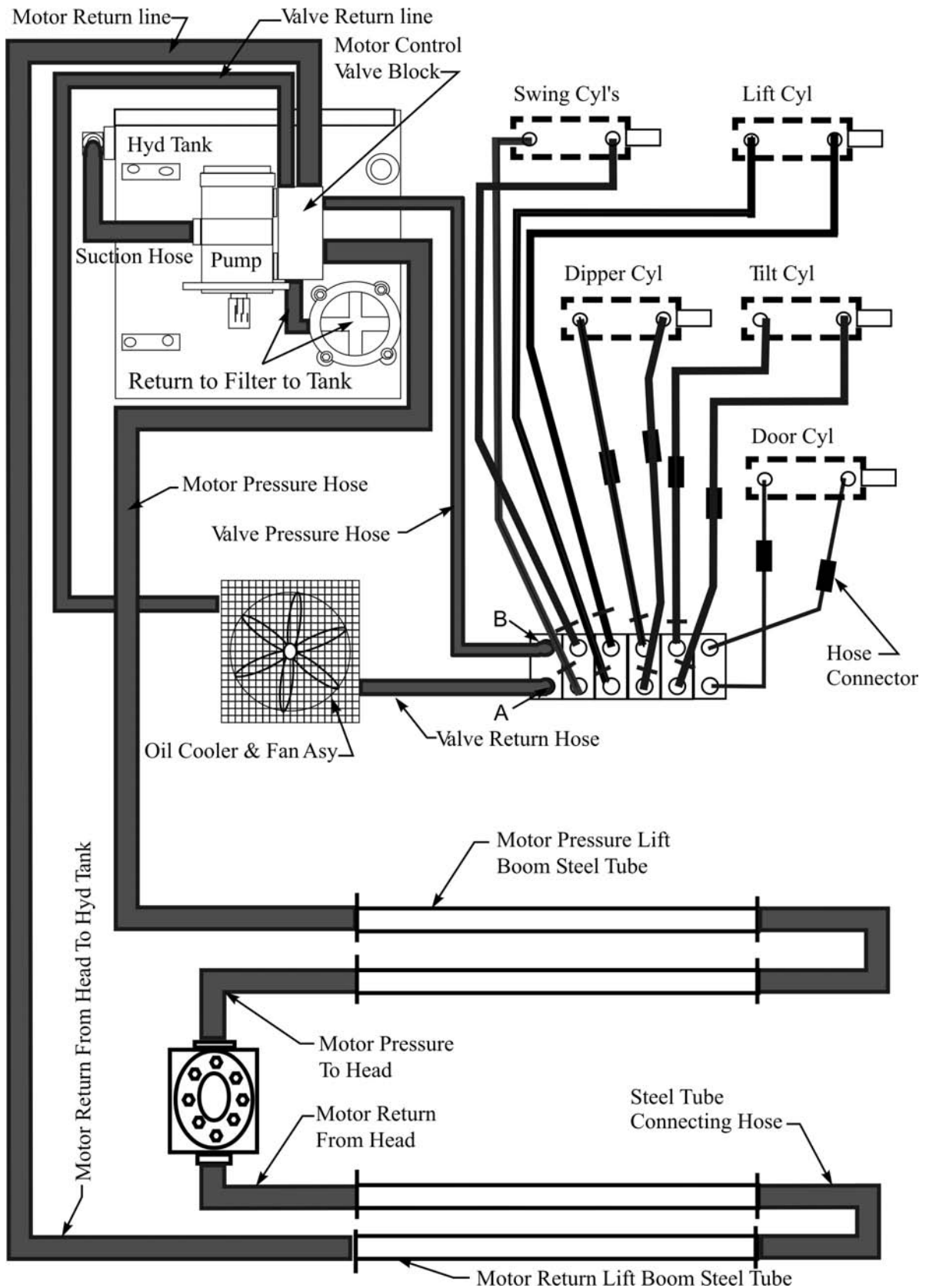
# HYD OIL COOLER & FAN ASY - PN 02981377



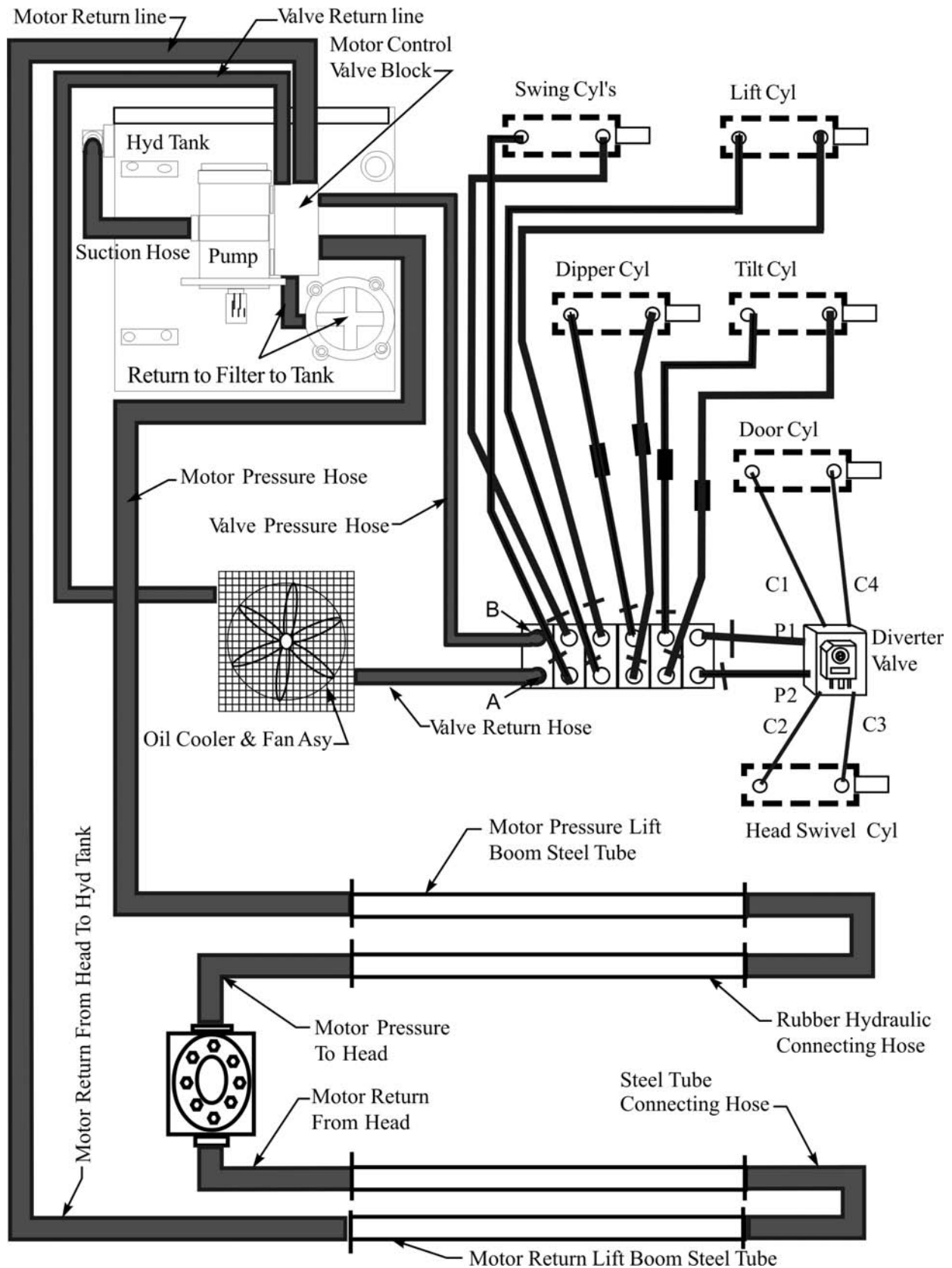
Two Wires in plug  
1 - Red Wire + Connection  
1 - Black Wire - Connection  
Connects to exterior wire  
harness

ITEM	PART NO.	QTY.	DESCRIPTION
1	02981377	1	HYD OIL COOLER & ELECTRIC FAN ASY.
	02981886	1	HEAT EXCHANGE CORE
	02981887	1	HEAT EXCHANGE FAN

# HYD SCHEMATIC - SOLID MNT HEAD (STD) - 18-22-25 FT BOOM

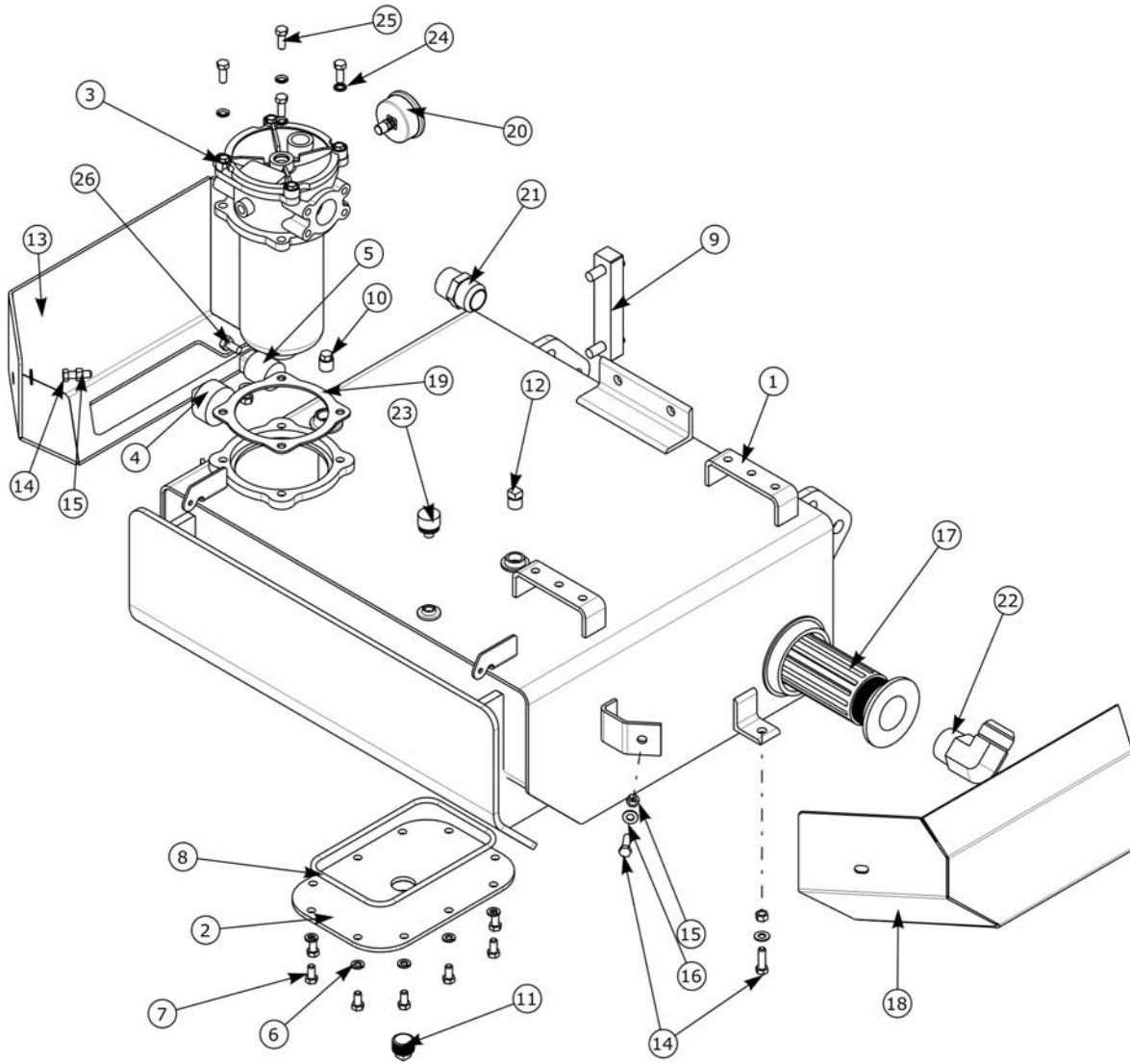


# HYD SCHEMATIC - SWIVEL MNT HEAD (OPT) - 18-22-25 FT BOOM



**THIS PAGE INTENTIONAL LEFT BLANK**

# HYD TANK SUB-ASY - PN 02982882



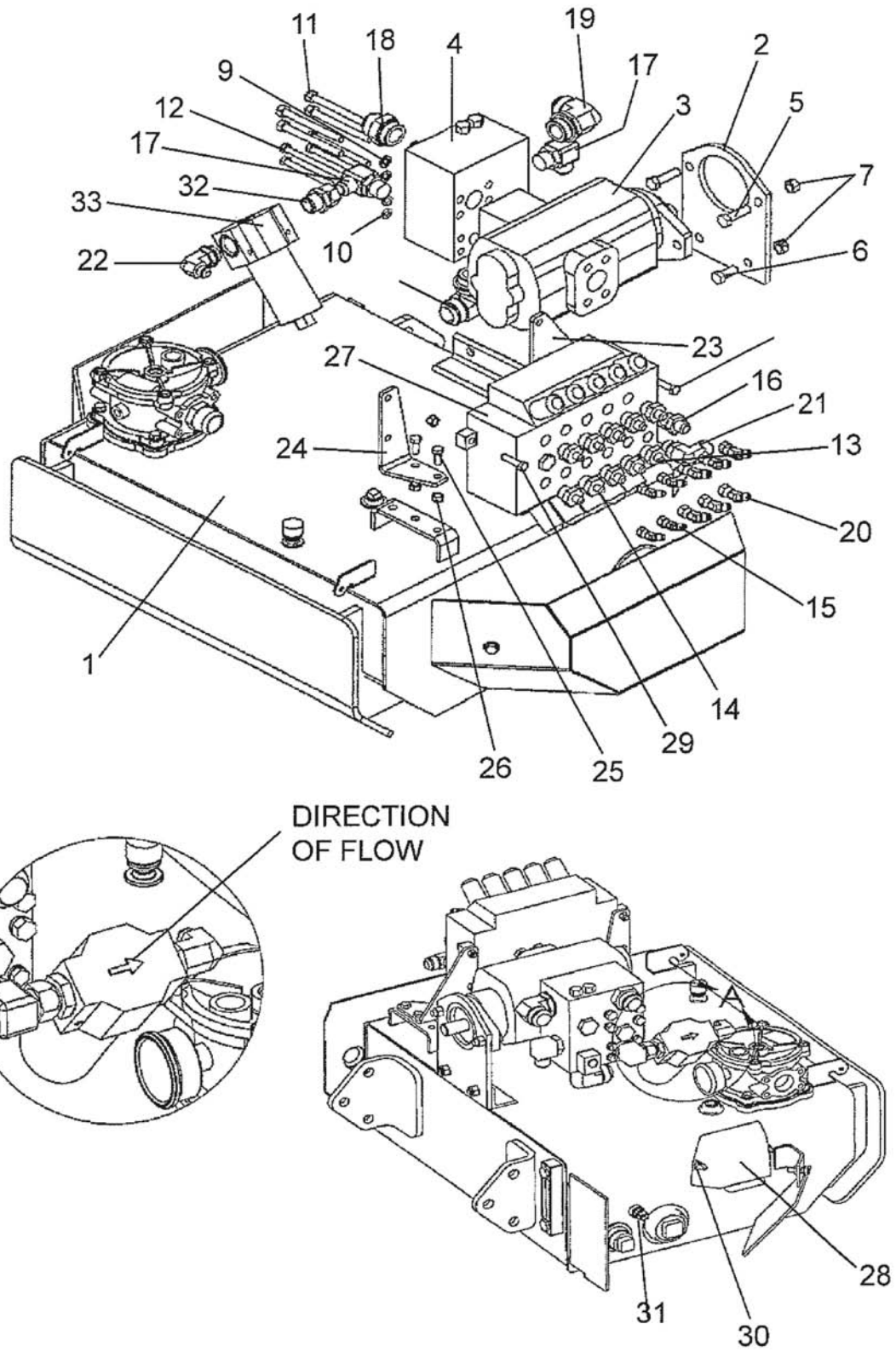


## HYD TANK SUB-ASY - PN 02982882

Continued...

ITEM	PART NO.	QTY.	DESCRIPTION
1	02981389	1	TANK, WELDMENT, HYDRAULIC
2	02981413	1	WELDMENT, COVER, CLEANOUT
3	02964748	1	FILTER ASSEMBLY, MODIFIED
4	02982884	1	PIPE PLUG 2"
5	02979618	1	PIPE PLUG 1-1/4"
6	00012101	10	LOCKWASHER, 3/8" PL
7	00002000	10	HHCS 3/8 NC 3/4 PL5
8	02981400	1	O-RING, CLEANOUT SEAL
9	02968880	1	GAUGE, TEMP LEVEL INDICATOR
10	0221900	1	PIPE PLUG 3/4"
11	02963659	1	PLUG, MAGNETIC 1" NPT
12	00749508	1	PLUG 1/2" NPT
13	02981386	1	ASY, SHIELD FORMED
14	00753642	4	HHCS 3/8 NC 1-1/4 PL5
15	00015800	4	LOCKNUT TLM 3/8 NC PLC
16	00011100	4	FLATWASHER 3/8 STD
17	02982847	1	STRAINER, SUCTION 3 WITH 2 OUTLET
18	02982871	1	DRIVER SIDE COVER WELDMENT
19	02963662	1	GASKET, FILTER ASY, FIBER
20	02962963	1	DIAL INDICATOR - IN TANK FILTER
21	02960809	1	ADP, HYD STGHT 20MP-20MJ
22	02982990	1	HYD, ELBOW 32 MP - 24 MJ 90
23	02983078	1	NYLON BREATHER FILTER NY-4
24	02962864	4	WASHER, SEALING 3/8
25	00011400	4	BOLT, HHCS 3/8 NC 1 PL5
26	02983378	1	HHCS M10-P1.0-20MM

# HYD TANK W-PUMP & ELECT VALVE ASY - P/N 02983488

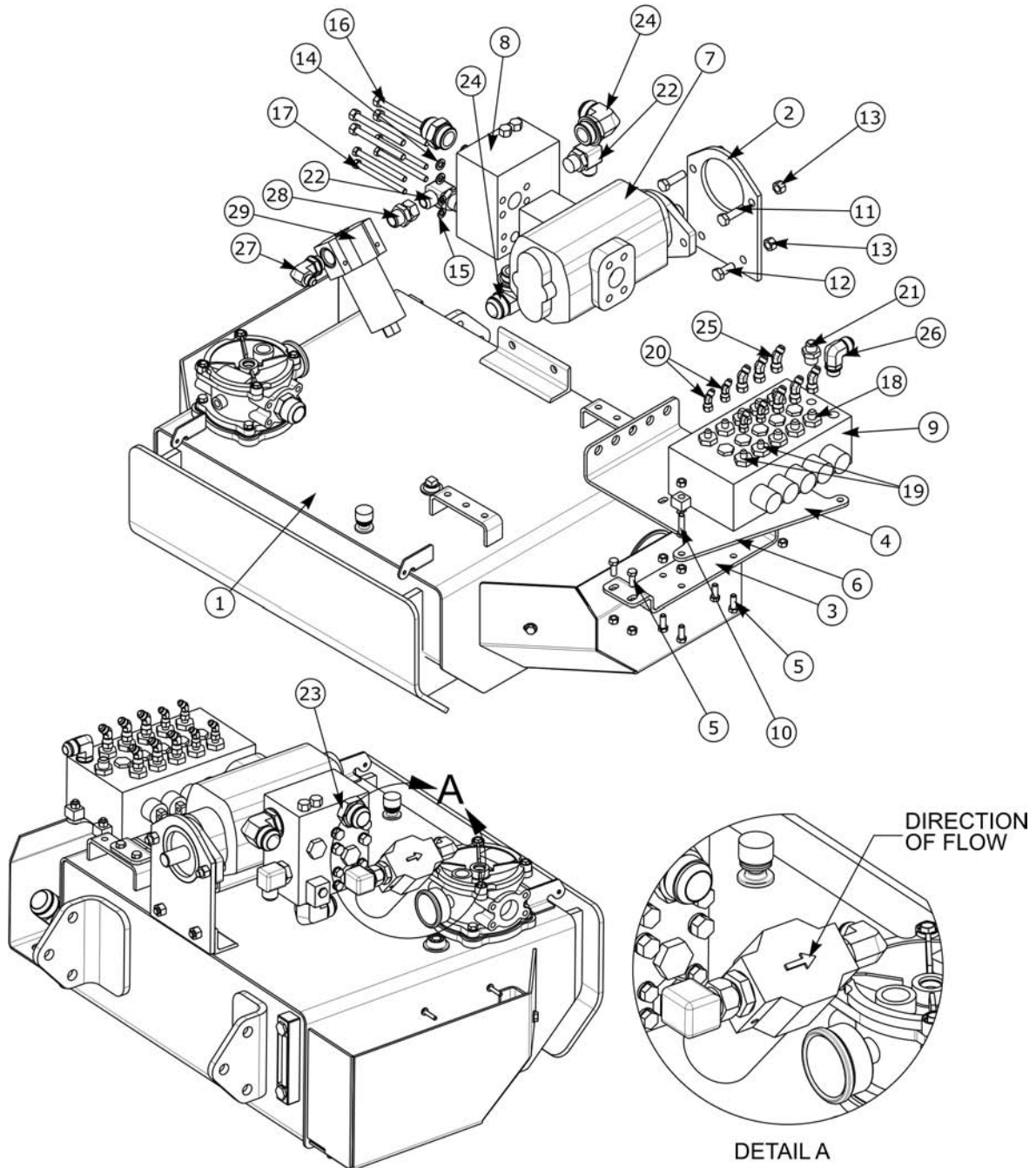


# HYD TANK W-PUMP & ELECT VALVE ASY - P/N 02983488

Continued...

ITEM	PART NO.	QTY.	DESCRIPTION
	02983488	1	HYDRAULIC TANK, PUMP & VALVE ASY F/ ELECTRIC CONTROLS
1	02982882	1	ASY, TANK, HYDRAULIC
2	02981468	1	BRACKET, SHIPPING
3	02982575	1	FRT PUMP ASY - TANDEM
4	02982553	1	CUTTER BLOCK, AXTREME
5	02891800	2	HHCS 1/2 NC 1-3/4 PL8
6	02776600	2	HHCS 1/2 NC X 1 1/4 PL8
7	00001800	4	LOCKNUT TLM 1/2 NC PLB
8	00022200	4	LOCKWASHER 7/16 PL
9	00012101	4	LOCKWASHER, 3/8" PL
10	02970451	4	HHCS 7/16 NC 4-1/2 PL8
11	02972565	4	HHCS 3/8 NC 4-1/2 PL5
12	02972177	6	ADP, HYD ST 10MB - 6MJ
13	02972179	4	ADP, HYD ST 10MB - 4MJ
14	02976532	4	ADP, HYD, 4MJ-4FJX 45
15	02042300	1	ADP, HYD ST 10MB - 8MJ
16	02090800	2	ADP, HYD ELBOW 12MB - 12MJ 90
17	02960807	1	ADP HYD STGHT 20MB-20MJ
18	02961098	2	20 MB - 20 MJ 90°
19	02976531	6	ADP HYD ELBOW 6MJ-6FJX 45
20	02983377	1	ADAPTER, 12MJ-10MB90
21	02976522	1	ADP HYD ELBOW 12MB - 8MJ90
22	02983325	1	PLATE, ELECTRO VALVE MOUNT, REAR, AXTREME
23	02983329	1	PLATE, ELECTRO VALVE MOUNT, FRONT, AXTREME
24	00011400	4	BOLT, HHCS 3/8 NC 1 PL5
25	00015800	7	LOCKNUT TLM 3/8 NC PLC
26	02982576	1	VALVE, ELECTROHYDRAULIC P70
27	02983368	1	ASY, PROGRAM/MODULE, TOC8
28	00023100	3	HHCS 3/8 X 1-1/2 NC PL GR5
29	02959924	2	NUT, TOPLOCK 1/4 NC PLB
30	02981412	1	SENSOR, TEMPERATURE
31	02964135	1	ADP, HYD ELBOW 12MB - 12FJX
32	02976066	1	FILTER, ASY MED. PRESSURE
33	02983409	1	DECAL, VALVE LAYOUT, P70
34	02971943	1	DECAL, LOGO RECT CLEAR Y/W, 2 7/8 X 20
35	02965262	1	DECAL - WARNING - HOSE BURST
36	02971123	1	DECAL WARNING PRESS TANK
37	02982828	1	DECAL, TEMP RANGE
38	02982583	1	DO NOT WELD MAVERICK

# HYD TANK W-PUMP & MAN VALVE ASY - P/N 02983487

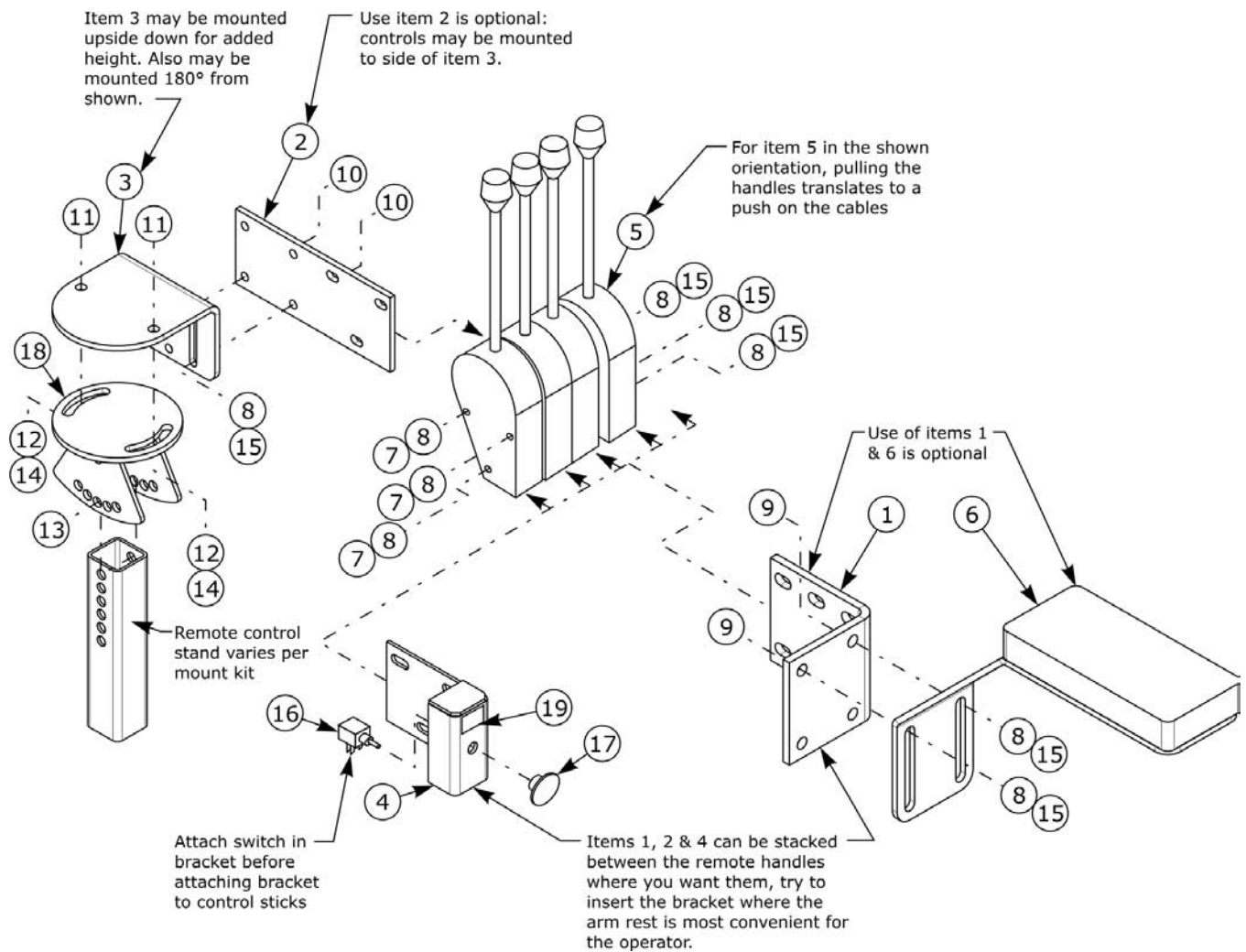


# HYD TANK W-PUMP & MAN VALVE ASY - P/N 02983487

Continued...

ITEM	PART NO.	QTY.	DESCRIPTION
	02983487	1	HYDRAULIC TANK, PUMP & VALVE ASY F/ MANUAL CONTROLS
1	02982882	1	ASY, TANK, HYDRAULIC
2	02981468	1	BRACKET, SHIPPING
3	02983342	1	PLATE, MANUAL VALVE STRAP, AXTREME
4	02983341	1	PLATE, MANUAL VALVE MOUNT, AXTREME
5	00011400	8	BOLT, HHCS 3/8 NC 1 PL5
6	00015800	11	LOCKNUT TLM 3/8 NC PLC
7	02982575	1	FRT PUMP ASY - TANDEM
8	02982553	1	CUTTER BLOCK, AXTREME
9	02985870	1	VALVE, MANUAL, AXTREME GEN II
10	00023100	3	HHCS 3/8 X 1-1/2 NC PL GR5
11	02891800	2	HHCS 1/2 NC 1-3/4 PL8
12	02776600	2	HHCS 1/2 NC X 1 1/4 PL8
13	00001800	4	LOCKNUT TLM 1/2 NC PLB
14	00022200	4	LOCKWASHER 7/16 PL
15	00012101	4	LOCKWASHER, 3/8" PL
16	02970451	4	HHCS 7/16 NC 4-1/2 PL8
17	02972565	4	HHCS 3/8 NC 4-1/2 PL5
18	02972177	6	ADP, HYD ST 10MB - 6MJ
19	02972179	4	ADP, HYD ST 10MB - 4MJ
20	02976532	4	ADP, HYD, 4MJ-4FJX 45
21	02042300	1	ADP, HYD ST 10MB - 8MJ
22	02090800	2	ADP, HYD ELBOW 12MB - 12MJ 90
23	02960807	1	ADP HYD STGHT 20MB-20MJ
24	02961098	2	20 MB - 20 MJ 90°
25	02976531	6	ADP HYD ELBOW 6MJ-6FJX 45
26	02983377	1	ADAPTER, 12MJ-10MB90
27	02976522	1	ADP HYD ELBOW 12MB - 8MJ90
28	02964135	1	ADP, HYD ELBOW 12MB - 12FJX
29	02976066	1	FILTER, ASY MED. PRESSURE

# HYD VALVE CABLE & MOUNTING KIT



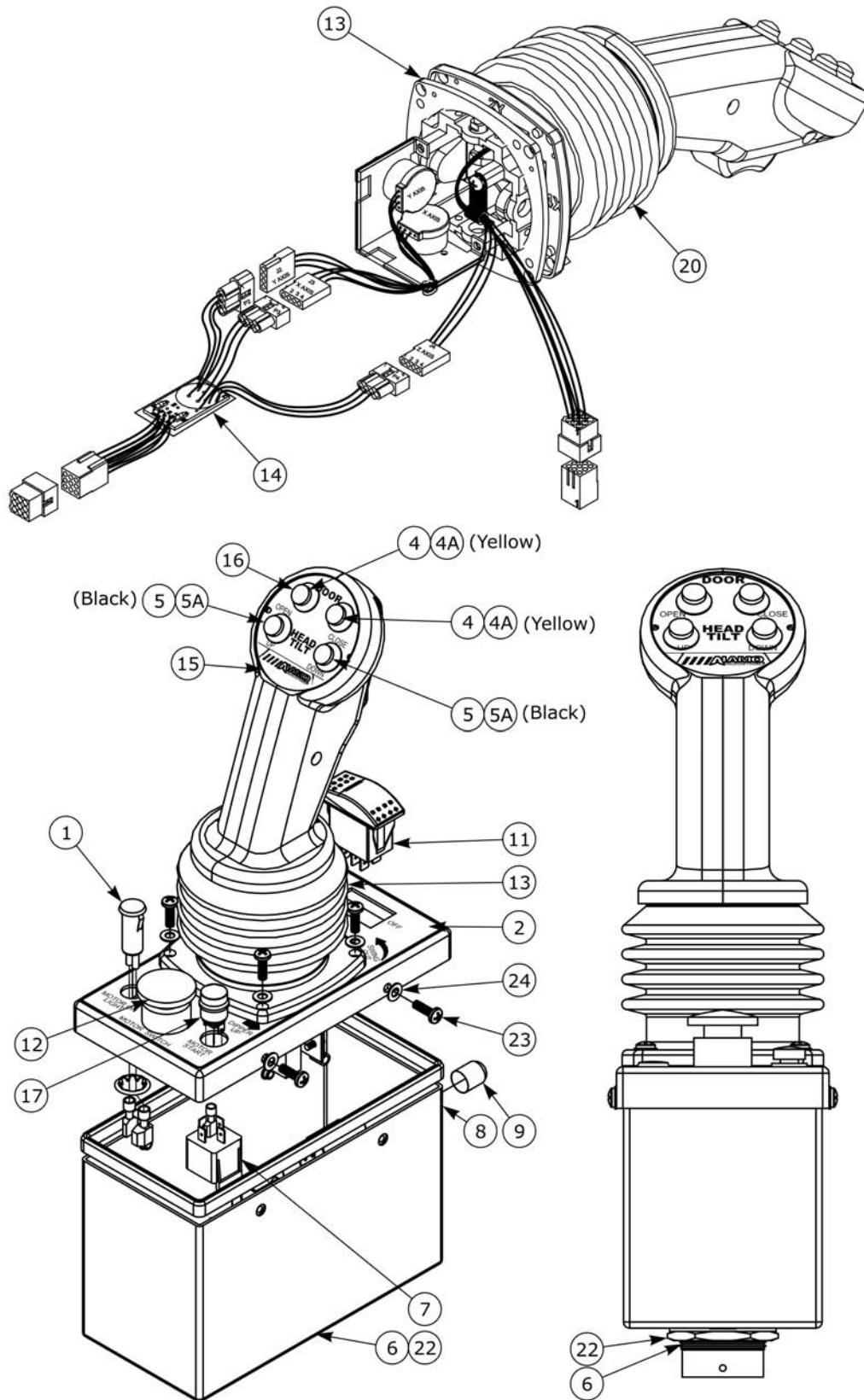
ITEM	PART NO.	QTY.	DESCRIPTION
1	02971188	1	ARM REST MOUNT BRACKET
2	02971189	1	CONTROL STICK EXTENSION PLATE
3	02971190	1	PIVOT MOUNT BRACKET
4	02971191	1	SWITCH MOUNT WLDâ€™MT
5	02971243	5	CONTROL, ASY, SINGLE AXIS
6	02971260	1	ARM REST ASY
7	02971272	3	BOLT, USE W/ 5 REMOTE HANDLES
8	00023500	10	FLATWASHER
9	00035900	2	BOLT
10	10119000	2	BOLT
11	00011400	2	BOLT
12	00011100	2	FLATWASHER
13	00059900	2	BOLT
14	00015800	4	LOCKNUT
15	00750940	7	LOCKNUT

## HYD VALVE CABLE & MOUNTING KIT

Continued...

ITEM	PART NO.	QTY.	DESCRIPTION
16	02964028	1	SWITCH, PUSH PULL
17	02964063	1	KNOB, SWITCH
18	02961489	1	PIVOT PLATE WLDâ€™MT
19	02962748	1	DECAL, ON-OFF SWITCH CUTTER VALVE
20	02958203	1	SOLENOID WIRE HARNESS KIT
21	02971274	5	CABLE CONNECTION KIT
22	02971197	-	CABLE, REMOTE CNTRL - 48" LG (USE LENGTH REQUIRED)
	02971198	-	CABLE, REMOTE CNTRL - 60" LG (USE LENGTH REQUIRED)
	02969130	-	CABLE, REMOTE CNTRL - 72" LG (USE LENGTH REQUIRED)
	02971199	-	CABLE, REMOTE CNTRL - 102" LG (USE LENGTH REQUIRED)

# JOYSTICK CONSOLE ASY - PN 02983014



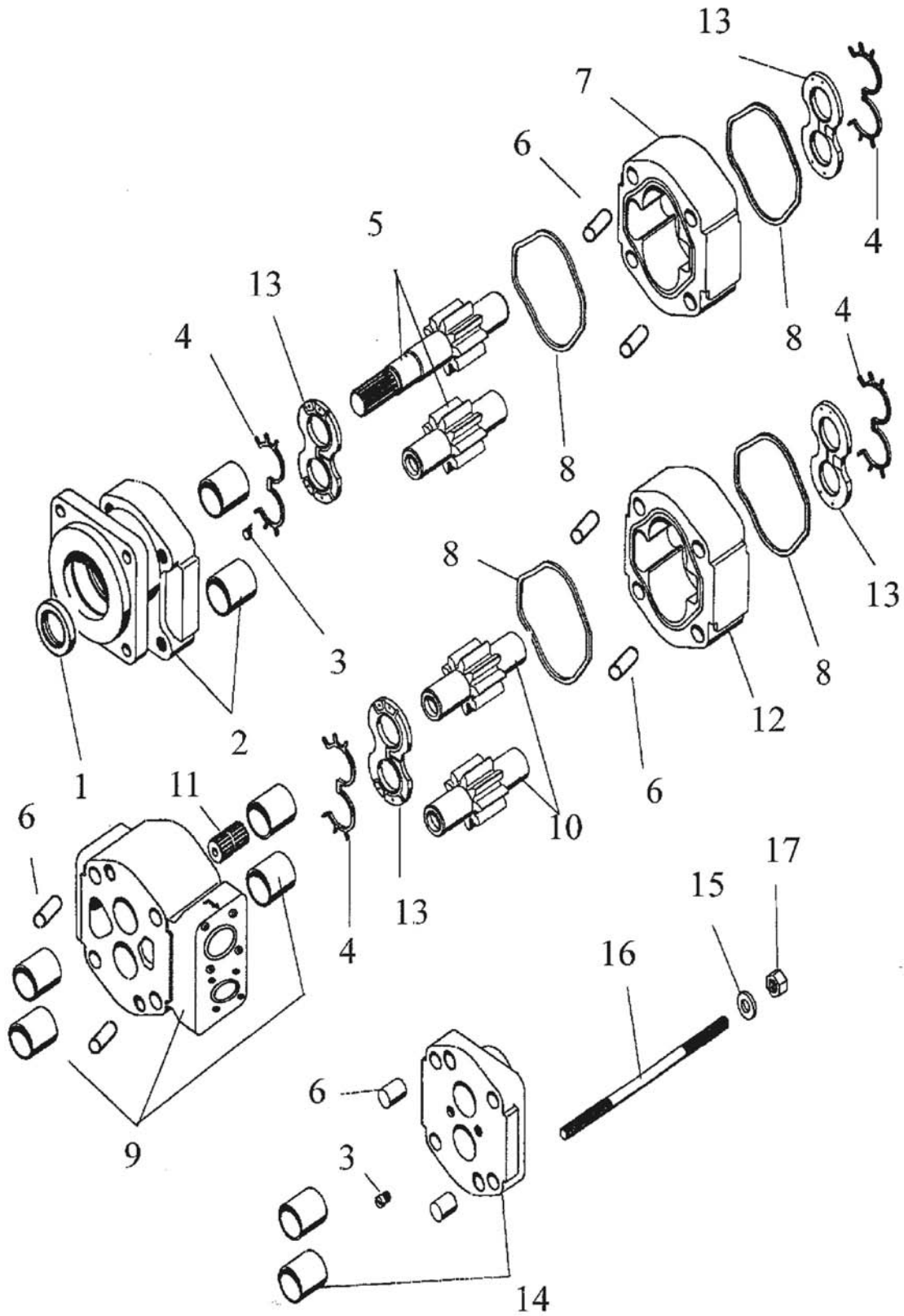


# JOYSTICK CONSOLE ASY - PN 02983014

Continued...

ITEM	PART NO.	QTY.	DESCRIPTION
	02983014	1	JOYSTICK CONSOLE ASY. W/ COMPONENTS
1	02981020	1	LED DISPLAY LIGHT, RED
2	02981021	1	DECAL, JOYSTICK OPERATION CONSOLE
4	02983519	2	SWITCH, MOMENTARY PUSH BUTTON, YELLOW
4A	02983522	2	PUSH BUTTON CAP, YELLOW
5	02981023	2	SWITCH, MOMENTARY PUSH BUTTON, BLACK
5A	02983473	2	PUSH BUTTON CAP, BLACK
6	02981024	1	SOCKET RELAY, (INSIDE CONSOLE NOT SEEN)
7	02981025	1	RELAY, SPDT 12VDC 20A
8	02981026	1	CIRCUIT BREAKER, 10A PANEL MOUNT
9	02981027	1	BOOT, CIRCUIT BREAKER COVER
11	02977043	1	SWITCH ROCKER DPDT, W/ GREEN LED
12	02981028	1	SWITCH, PUSH PULL
13	02983518	1	JOYSTICK ASY. (W/O CONSOLE)
14	02981990	1	RESISTER HARNESS
15	02981032	1	DECAL, SWITCH OPERATION HANDLE
17	02981030	1	SWITCH, MOMENTARY PUSH BUTTON
18	02977644	1	LOCKWASHER
19	02977643	1	CONNECTOR NUT
20	02983475	1	POTENTIOMETER - SWING
21	02983476	2	POTENTIOMETER - LIFT & DIPPER
22	02963584	1	LOCKNUT, # 8-32
23	02983477	8	SCREW, # 10-32, 5/8LG
24	02983478	8	WASHER, # 10 - NYLON

# PUMP ASY (PARTS) - PN 02982575

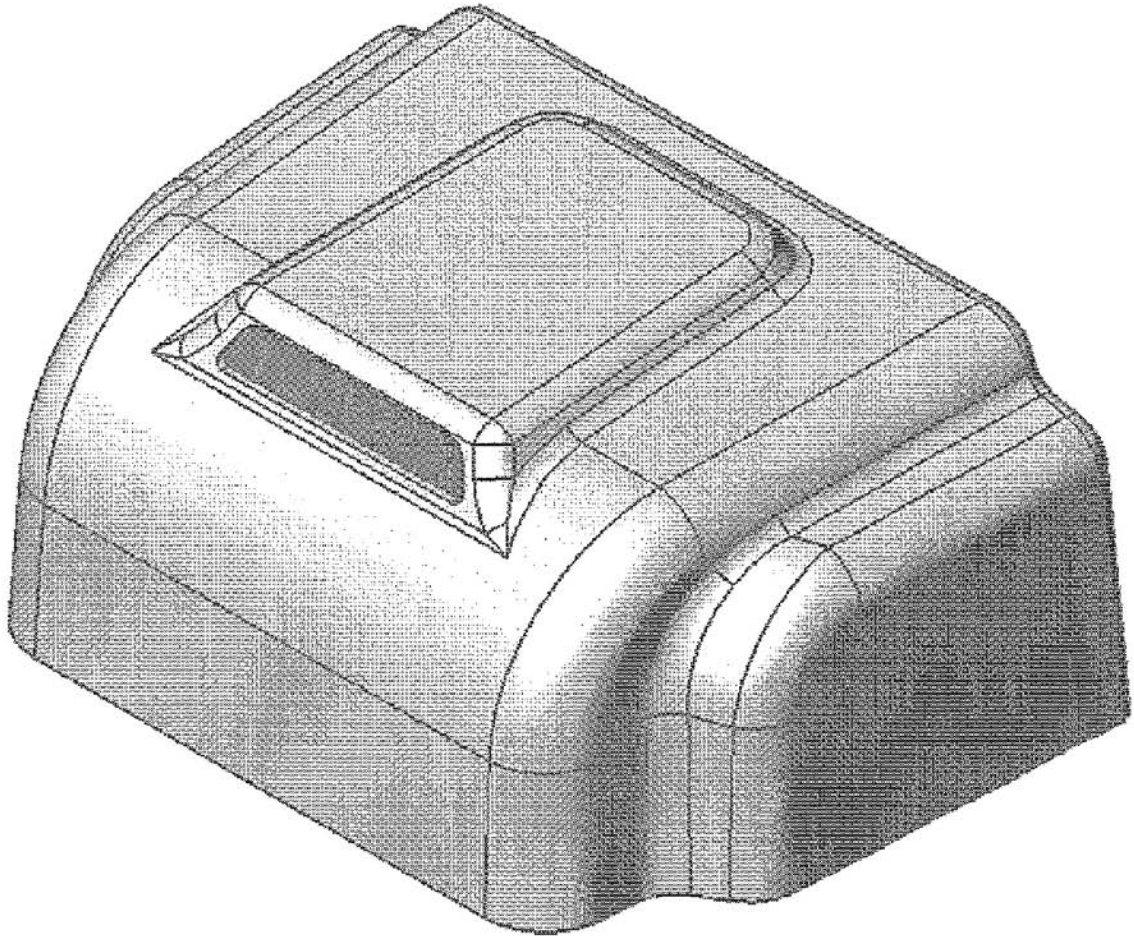


## PUMP ASY (PARTS) - PN 02982575

Continued...

ITEM	PART NO.	QTY.	DESCRIPTION
	02961735	1	TANDEM PUMP ASY, (FRONT MOUNTED)
1	* MINOR/MAJOR		SEAL, (IN ITEM 18 & 19)
2	02961913	1	MOUNTING FLANGE, W/ BUSHINGS
3	02961920	2	PLUG
4	* MINOR/MAJOR		SEAL END, (IN ITEM 18 & 19)
5	02962187	1	GEAR SET, ( FRONT SET)
6	02961924	8	DOWEL PIN
7	02961915	1	GEAR HOUSING, (FRONT HOUSING)
8	* MINOR/MAJOR		SQUARE SEAL, (IN ITEM 18 & 19)
9	-----	1	BEARING CARRIER HOUSING, W/BUSHINGS
10	02962188	1	GEAR SET, (REAR SET)
11	02962216	1	CONNECTOR SHAFT, (F/ CONNECTING GEAR SETS)
12	02962186	1	GEAR HOUSING, (REAR HOUSING)
13	* MAJOR	4	THRUST PLATE, (IN ITEM 19 ONLY)
14	02962184	1	END FLANGE, W/ BUSHING
15	02961917	4	WASHER
16	02962189	4	STUD
17	02962190	4	NUT
18	02962539	1	MINOR SEAL KIT, (ITEMS 1,4 & 8)
19	02962191	1	MAJOR SEAL KIT, (ITEMS 1,4,8 & 13)

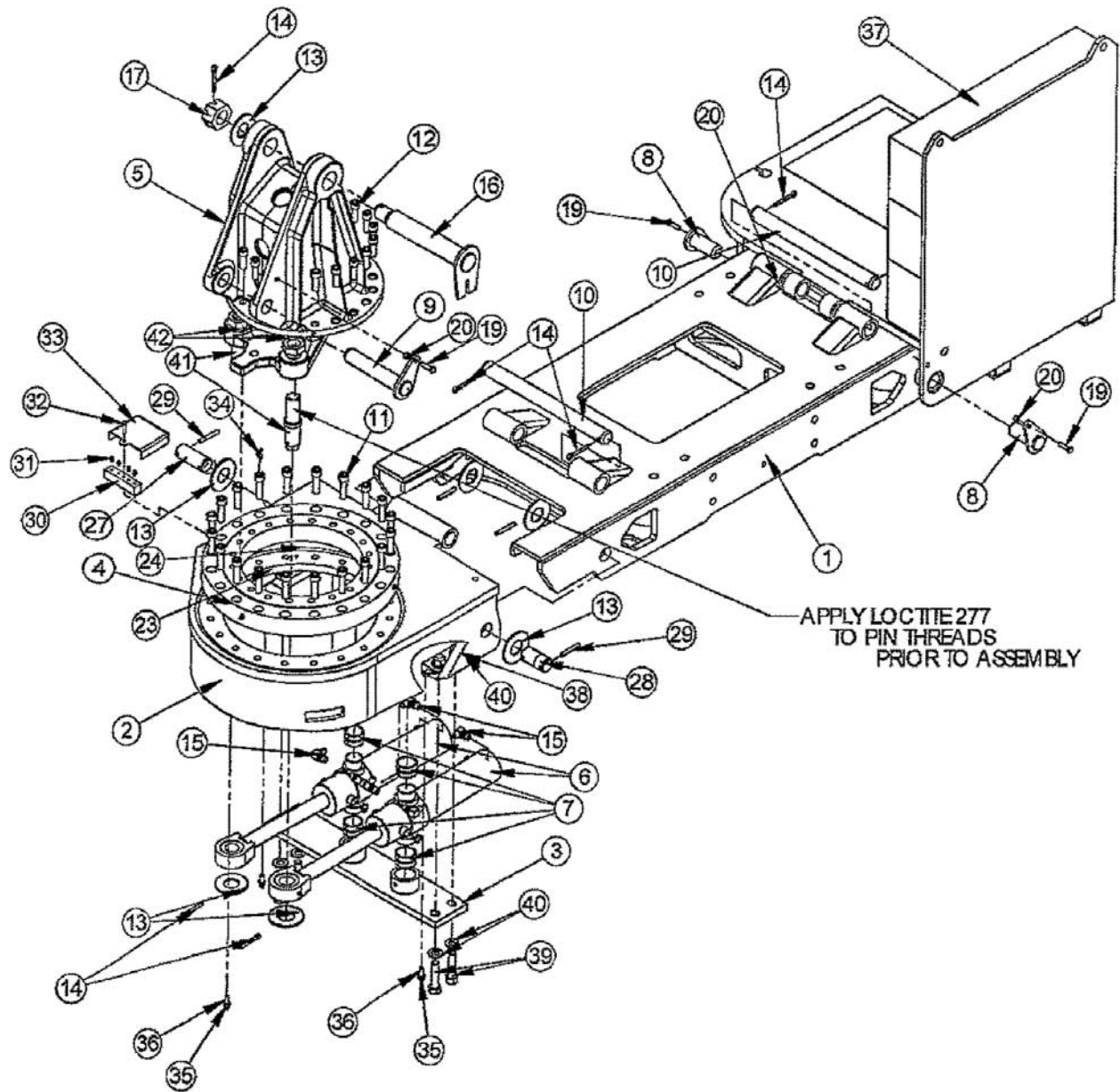
## PUMP-TANK-VALVE COVER - PN 02981381



<b>ITEM</b>	<b>PART NO.</b>	<b>QTY.</b>	<b>DESCRIPTION</b>
1	02981381	1	PUMP COVER ASY
2	02981441	2	KNOB STUD, 3/8"-NC X 1-1/2"
3	00992000	3	CABLE, PUMP COVER STOP
4	00001000	2	CABLE CLAMP

**THIS PAGE INTENTIONAL LEFT BLANK**

# UNDER MOUNT FRAME ASY - PN 02981779



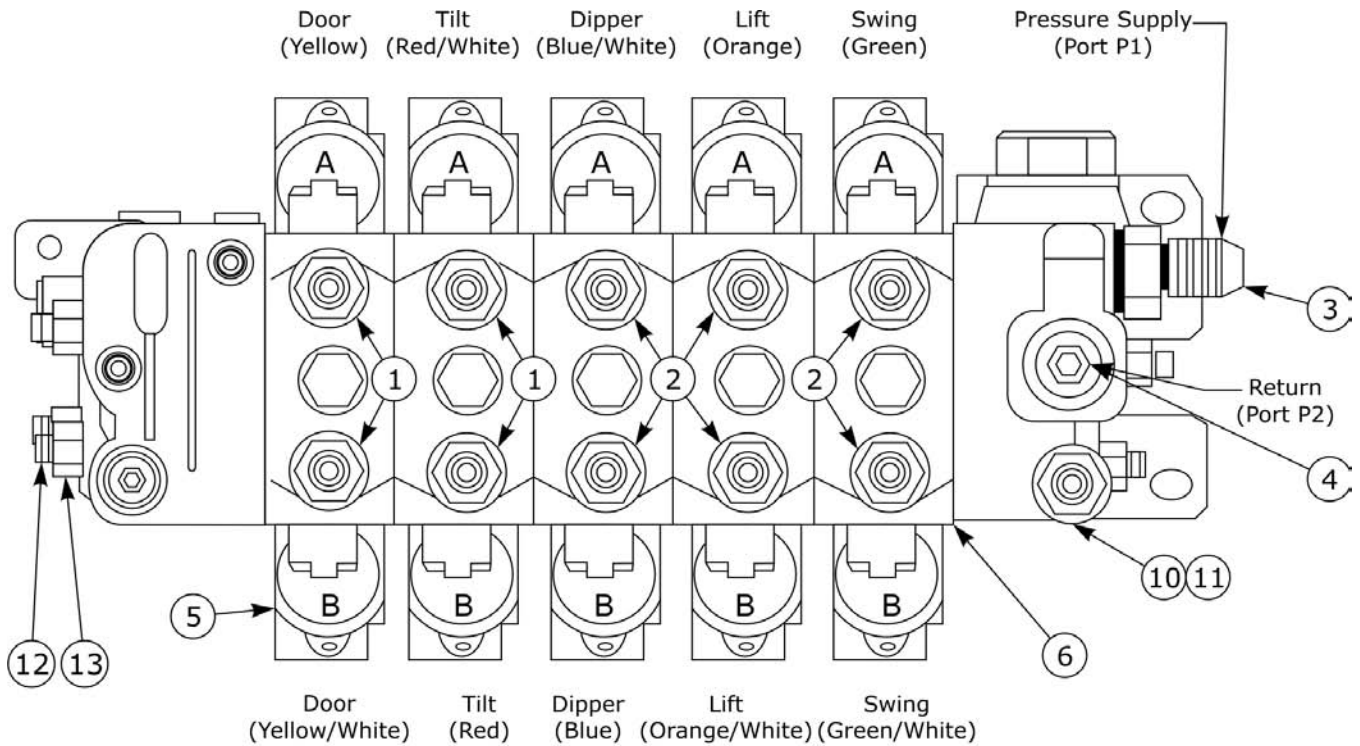
ITEM	PART NO.	QTY.	DESCRIPTION
	02981779	1	24' UNDER MOUNT, BOOM FRAME ASY
1	02981168	1	WELDMENT, CENTER SECTION, UNDER MOUNT
2	02981160	1	MACHINED, BOOM MOUNT, UNDER MOUNT
3	02983977	1	WELDMENT, TRUNION
4	02981317	1	BEARING, 20" SLEWING
5	02982519	1	CASTING, TURRET, MAVERICK
6	02981275A	2	CYLINDER, 3.0B X 1.5R X 12.0S, SWING
7	02981419	4	CONNEX BUSHING, 2 X 1 3/4 X 1 1/4 OD GROOVE

## UNDER MOUNT FRAME ASY - PN 02981779

Continued...

ITEM	PART NO.	QTY.	DESCRIPTION
8	02981692	2	WELDMENT, ATTACHMENT PIN LONG, UNDER MOUNT
9	02981295	1	WELDMENT, PIN, TURRET LIFT CYLINDER
10	02981784	2	PIN, 1 1/2 X 17 3/4
11	02981785	20	SHCS 5/8 NC 2 1/4 PL8
12	02981786	18	SHCS 5/8 NC 1 3/4 PL8
13	15B2400	7	FLATWASHER NAR 1-1/2 PL
14	165020	7	PIN, COTTER 5/16 X 2-1/2 PL
15	63149100	6	ADP, HYD ELBOW 6MB-6MJ 90
16	02981293	1	WELDMENT, PIN, TURRET/LIFT
17	02981702	1	SLOTTED NUT, 1-1/2 NF
18	00023100	3	HHCS 3/8 X 1-1/2 NC PL GR5
19	00015800	3	LOCKNUT TLM 3/8 NC PLC
20	02968832	1	PLASTIC TIE, GREEN
21	02968833	1	PLASTIC TIE, GREEN & WHITE
22	02963646	1	HHCS 3/4 NC 2-1/2 PL8
23	02023900	1	3/4 JAM NUT
26	02983028	1	PIN, MEDIUM, REAR, PEDESTAL
27	02983029	1	PIN, SHORT, FRONT, PEDESTAL
28	0113400	4	PIN, ROLL 3/8 - 2-1/2
29	00752670	4	GREASE FITTING 1/4-28 BOLT THD
30	10058000	1	HHCS 1/4NC-1" PL GR5
31	02983027	1	SHIELD, MANIFOLD
32	00752176	1	FITTING, GREASE 1/8 MP 90 DEG
33	02983680	1	WELDMENT UNDERFRAME CWT
34	00037200	4	NUT 3/4 NC LOCKNUT
35	03200269	4	HHCS 3/4 NC 3 PL8
36	5312316	8	FLATWASHER 3/4 HARDENED
37	02985408	2	PIN TURRET CYLINDER LINK W/ 1-1/2" THREAD
38	02985427	2	JAMNUT, 1 1/2" - 12NF HEX-FLAT
39	00759941	2	WASHER-STRUCTURAL 1 1/2"

# VALVE ASSEMBLY - ELECTRO-HYDRAULIC VALVE - P/N 02982576

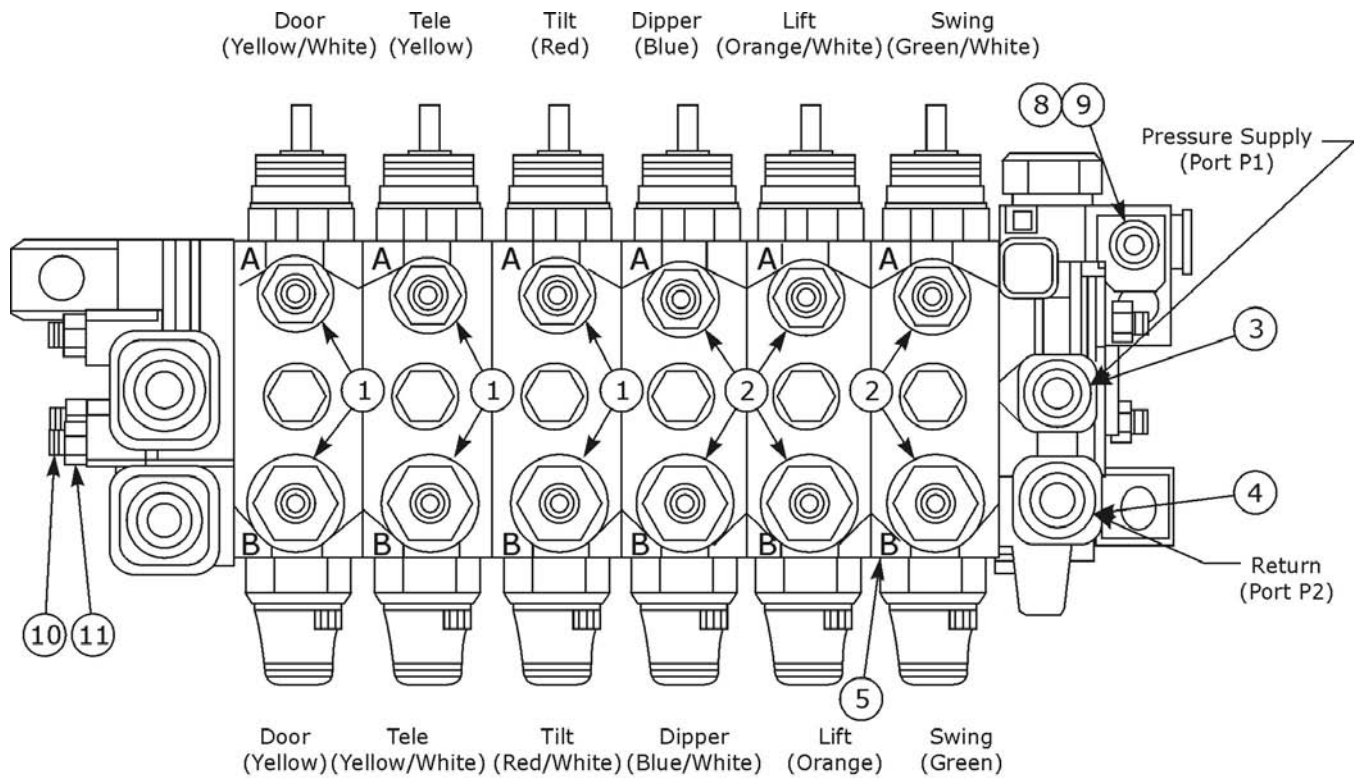


MAIN 3030 PSI	PRESSURE RELIEF SETTINGS (PSI)					
	SERVICE PORT A	2800	1176	1176	2800	2800
SERVICE PORT B	2800	2800	2800	PLUG	2800	
		SWING	LIFT	DIPPER	TILT	DOOR

ITEM	PART NO.	QTY.	DESCRIPTION
	02982576	1	VALVE ASY, W/ FITTINGS (USED W/ JOYSTICK OPTION)
1	02972179	4	ADAPTER, HYD STRAIGHT 10MB - 4MJ
	02976532	4	ADAPTER, HYD ELBOW 4MJ - 4FJX 45DEG
2	02972177	6	ADAPTER, HYD STRAIGHT 10MB - 6MJ
	02976531	6	ADAPTER, HYD ELBOW 6MJ - 6FJX 45DEG
3	02042300	1	ADAPTER, HYD (PRESSURE)
4	02983377	1	ADAPTER, HYD (RETURN)
5	02983512	10	SOLENIOD, P70 VALVE
6	02983508	5	KIT O-RING P70 VALVE
7	02983509	7	RELIEF, 190 BAR, P70
8	02983510	2	RELIEF, 80 BAR, P70
9	02983511	1	RELIEF, Y2 PLUG, P70
10	02985864	1	RELIEF, MAIN 206 BAR, P70
11	02985935	1	ADJUSTER, MAIN RELIEF
12	02986260	1	KIT, TIE ROD NUT
13	02986261	1	KIT, TIE ROD



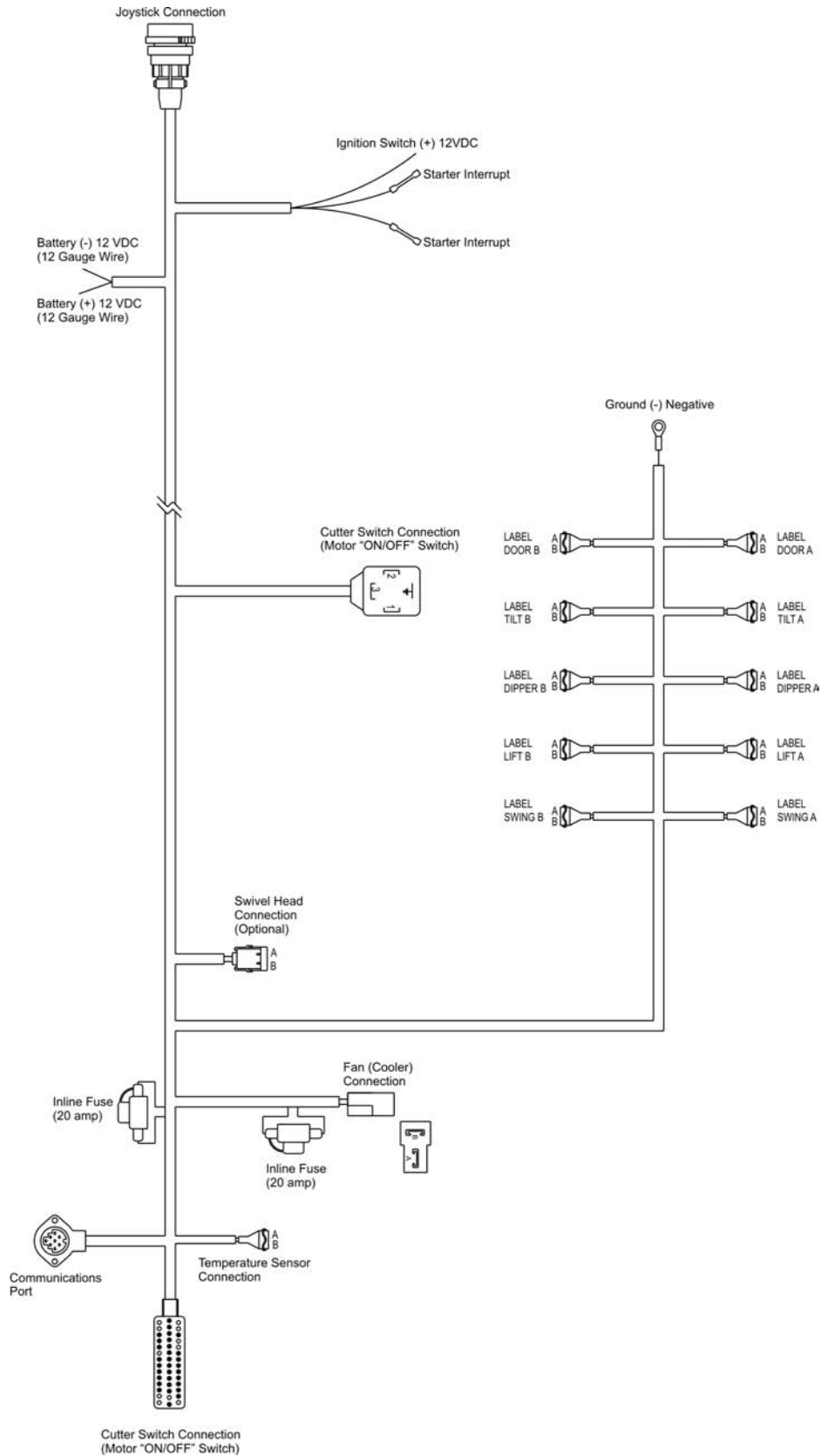
# VALVE ASSEMBLY - MANUAL-HYDRAULIC VALVE - P/N 02985870



MAIN 3030 PSI	PRESSURE RELIEF SETTINGS (PSI)					
SERVICE PORT A	2800	2800	2800	N/A	N/A	2850
SERVICE PORT B	2800	926	926	N/A	N/A	2060
	SWING	LIFT	DIPPER	TILT	DOOR	TELE

ITEM	PART NO.	QTY.	DESCRIPTION
	02985870	1	VALVE ASY, W/ FITTINGS (USED W/ STANDARD CABLE CONTROL)
1	02972179	4	ADAPTER, HYD STRAIGHT 10MB - 4MJ
	02976532	4	ADAPTER, HYD ELBOW 4MJ - 4FJX 45DEG
2	02972177	6	ADAPTER, HYD STRAIGHT 10MB - 6MJ
	02976531	6	ADAPTER, HYD ELBOW 6MJ - 6FJX 45DEG
3	02042300	1	ADAPTER, HYD (PRESSURE)
4	02983377	1	ADAPTER, HYD (RETURN)
5	02983508	5	KIT O-RING P70 VALVE
6	02983509	4	RELIEF, 190 BAR, P70
7	02985863	2	RELIEF, 63 BAR, P70
8	02985864	1	RELIEF, MAIN 206 BAR, P70
9	02985935	1	ADJUSTER, MAIN RELIEF

# WIRE HARNESS (ELECT-HYD VALVE OPT) - PN 02982923

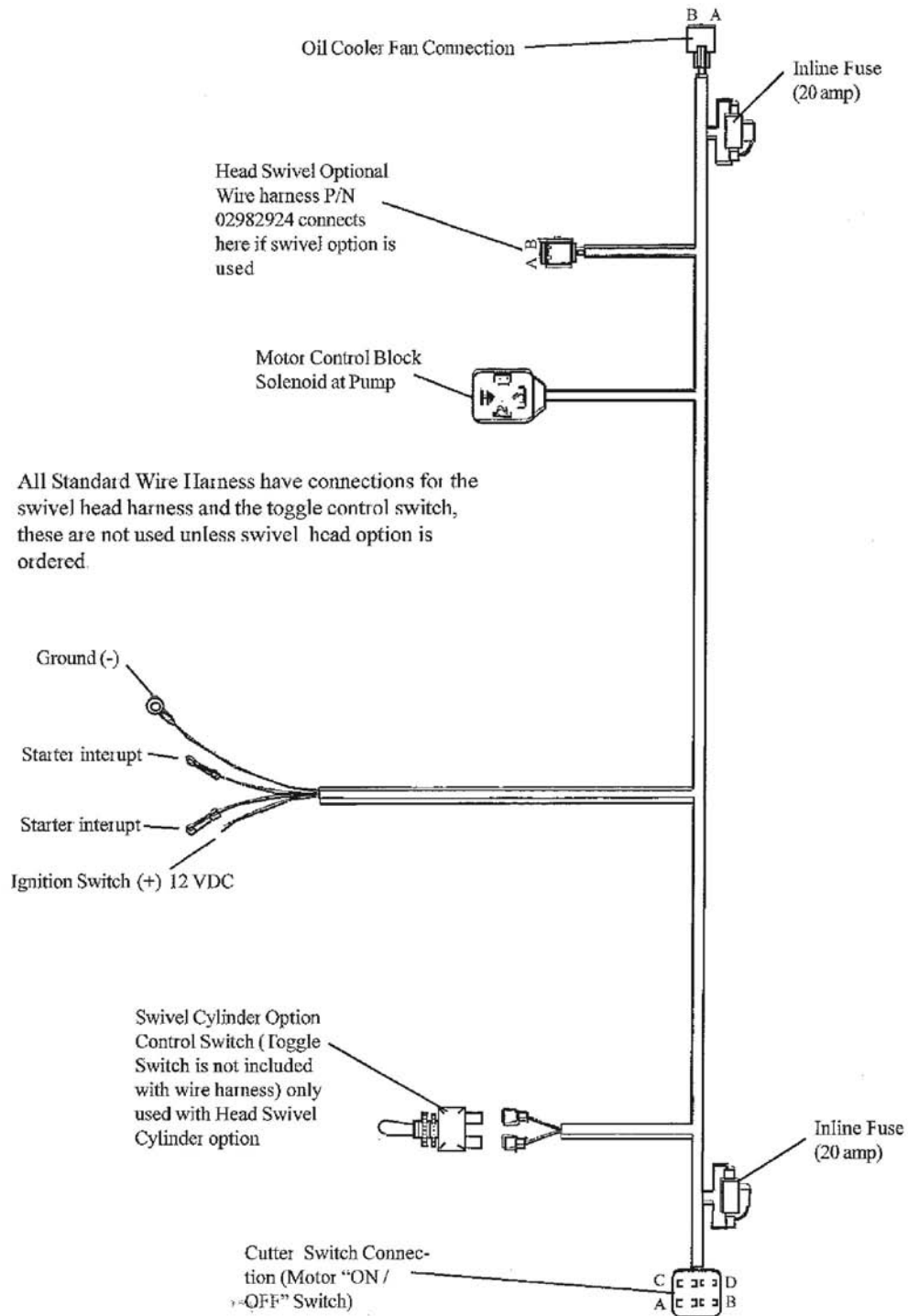


## WIRE HARNESS (ELECT-HYD VALVE OPT) - PN 02982923

Continued...

ITEM	PART NO.	QTY.	DESCRIPTION
1	02982923	1	WIRE HARNESS, F/ JOYSTICK OPTION

# WIRE HARNESS (MAN-HYD VALVE STD) - PN 02982922

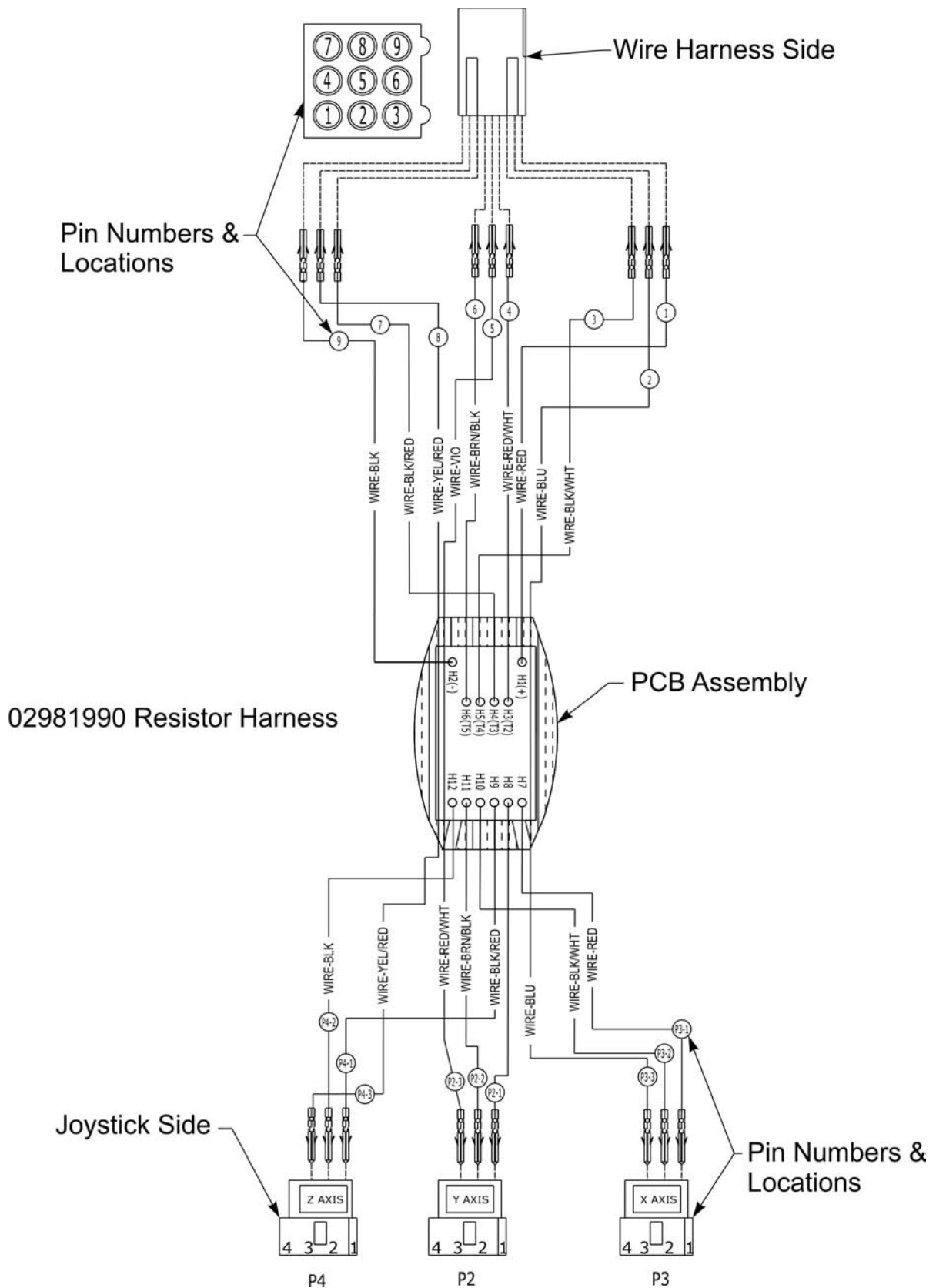


## WIRE HARNESS (MAN-HYD VALVE STD) - PN 02982922

Continued...

ITEM	PART NO.	QTY.	DESCRIPTION
1	02982922	1	WIRE HARNESS, F/ CABLE CONTROL STANDARD
2	001638	1	TOGGLE SWITCH, NOT INCLUDED IN WIRE HARNESS

# WIRE HARNESS - JOYSTICK RESISTOR (OPT) - PN 02981990



# WIRE HARNESS - JOYSTICK RESISTER (OPT) - PN 02981990

Continued...

ITEM	PART NO.	QTY.	DESCRIPTION
	02981990	1	JOYSTICK RESISTER HARNESS
1	PIN 1 (P-5)	1	RED WIRE
2	PIN 2 (P-5)	1	BLUE WIRE
3	PIN 3 (P-5)	1	BLACK & WHITE STRIPE WIRE
4	PIN 4 (P-5)	1	RED & WHITE STRIPE WIRE
5	PIN 5 (P-5)	1	VIOLET WIRE
6	PIN 6 (P-5)	1	BROWN & BLACK STRIPE WIRE
7	PIN 7 (P-5)	1	BLACK & RED STRIPE WIRE
8	PIN 8 (P-5)	1	YELLOW & RED STRIPE WIRE
9	PIN 9 (P-5)	1	BLACK WIRE
10	PIN 1 (P-2)	1	RED & WHITE STRIPE WIRE
11	PIN 2 (P-2)	1	BROWN & BLACK STRIPE WIRE
12	PIN 3 (P-2)	1	VIOLET WIRE
13	PIN 1 (P-3)	1	RED WIRE
14	PIN 2 (P-3)	1	BLACK & WHITE STRIPE WIRE
15	PIN 3 (P-3)	1	BLUE WIRE
16	PIN 1 (P-4)	1	BLACK & RED STRIPE WIRE
17	PIN 2 (P-4)	1	BLACK WIRE
18	PIN 3 (P-4)	1	YELLOW & RED STRIPE WIRE

# ALAMO INDUSTRIAL

## Limited Warranty

### 1. LIMITED WARRANTIES

- 1.01. Alamo Industrial warrants for one year from the purchase date to the original non-commercial, governmental, or municipal purchaser ("Purchaser") and warrants for six months to the original commercial or industrial purchaser ("Purchaser") that the goods purchased are free from defects in material or workmanship.
- 1.02. Manufacturer will replace for the Purchaser any part or parts found, upon examination at one of its factories, to be defective under normal use and service due to defects in material or workmanship.
- 1.03. This limited warranty does not apply to any part of the goods which has been subjected to improper or abnormal use, negligence, alteration, modification, or accident, damaged due to lack of maintenance or use of wrong fuel, oil, or lubricants, or which has served its normal life. This limited warranty does not apply to any part of any internal combustion engine, or expendable items such as blades, shields, guards, or pneumatic tires except as specifically found in your Operator's Manual.
- 1.04. Except as provided herein, no employee, agent, Dealer, or other person is authorized to give any warranties of any nature on behalf of Manufacturer.

### 2. REMEDIES AND PROCEDURES.

- 2.01. This limited warranty is not effective unless the Purchaser returns the Registration and Warranty Form to Manufacturer within 30 days of purchase.
- 2.02. Purchaser claims must be made in writing to the Authorized Dealer ("Dealer") from whom Purchaser purchased the goods or an approved Authorized Dealer ("Dealer") within 30 days after Purchaser learns of the facts on which the claim is based.
- 2.03. Purchaser is responsible for returning the goods in question to the Dealer.
- 2.04. If after examining the goods and/or parts in question, Manufacturer finds them to be defective under normal use and service due to defects in material or workmanship, Manufacturer will:
  - (a) Repair or replace the defective goods or part(s) or
  - (b) Reimburse Purchaser for the cost of the part(s) and reasonable labor charges (as determined by Manufacturer) if Purchaser paid for the repair and/or replacement prior to the final determination of applicability of the warranty by Manufacturer.The choice of remedy shall belong to Manufacturer.
- 2.05. Purchaser is responsible for any labor charges exceeding a reasonable amount as determined by Manufacturer and for returning the goods to the Dealer, whether or not the claim is approved. Purchaser is responsible for the transportation cost for the goods or part(s) from the Dealer to the designated factory.

### 3. LIMITATION OF LIABILITY.

- 3.01. MANUFACTURER DISCLAIMS ANY EXPRESS (EXCEPT AS SET FORTH HEREIN) AND IMPLIED WARRANTIES WITH RESPECT TO THE GOODS INCLUDING, BUT NOT LIMITED TO, MERCHANTABILITY AND FITNESS FOR A PARTICULAR PURPOSE.
- 3.02. MANUFACTURER MAKES NO WARRANTY AS TO THE DESIGN, CAPABILITY, CAPACITY, OR SUITABILITY FOR USE OF THE GOODS.
- 3.03. EXCEPT AS PROVIDED HEREIN, MANUFACTURER SHALL HAVE NO LIABILITY OR RESPONSIBILITY TO PURCHASER OR ANY OTHER PERSON OR ENTITY WITH RESPECT TO ANY LIABILITY, LOSS, OR DAMAGE CAUSED OR ALLEGED TO BE CAUSED DIRECTLY OR INDIRECTLY BY THE GOODS INCLUDING, BUT NOT LIMITED TO, ANY INDIRECT, SPECIAL, CONSEQUENTIAL, OR INCIDENTAL DAMAGES RESULTING FROM THE USE OR OPERATION OF THE GOODS OR ANY BREACH OF THIS WARRANTY. NOT WITHSTANDING THE ABOVE LIMITATIONS AND WARRANTIES, MANUFACTURER'S LIABILITY HEREUNDER FOR DAMAGES INCURRED BY PURCHASER OR OTHERS SHALL NOT EXCEED THE PRICE OF THE GOODS.
- 3.04. NO ACTION ARISING OUT OF ANY CLAIMED BREACH OF THIS WARRANTY OR TRANSACTIONS UNDER THIS WARRANTY MAY BE BROUGHT MORE THAN TWO (2) YEARS AFTER THE CAUSE OF ACTION HAS OCCURRED.

### 4. MISCELLANEOUS.

- 4.01. Proper Venue for any lawsuits arising from or related to this limited warranty shall be only in Guadalupe County, Texas.
- 4.02. Manufacturer may waive compliance with any of the terms of this limited warranty, but no waiver of any terms shall be deemed to be a waiver of any other term.
- 4.03. If any provision of this limited warranty shall violate any applicable law and is held to be unenforceable, then the invalidity of such provision shall not invalidate any other provisions herein.
- 4.04. Applicable law may provide rights and benefits to purchaser in addition to those provided herein.

### KEEP FOR YOUR RECORDS

ATTENTION: Purchaser should fill in the blanks below for his reference when buying repair parts and/or for proper machine identification when applying for warranty.

Alamo Industrial Implement Model \_\_\_\_\_ Serial Number \_\_\_\_\_  
Date Purchased \_\_\_\_\_ Dealer \_\_\_\_\_

ATTENTION:  
READ YOUR OPERATOR'S MANUAL

**ALAMO INDUSTRIAL**

1502 E. Walnut  
Seguin, Texas 78155  
830-379-1480







## TO THE OWNER/OPERATOR/DEALER

To keep your implement running efficiently and safely, read your manual thoroughly and follow these directions and the Safety Messages in this Manual. The Table of Contents clearly identifies each section where you can easily find the information you need.

The OCCUPATIONAL SAFETY AND HEALTH ACT (1928.51 Subpart C) makes these minimum safety requirements of tractor operators:

### REQUIRED OF THE OWNER:

1. Provide a Roll-Over-Protective Structure that meets the requirements of this Standard; and
2. Provide Seatbelts that meet the requirements of this paragraph of this Standard and SAE J4C; and
3. Ensure that each employee uses such Seatbelt while the tractor is moving; and
4. Ensure that each employee tightens the Seatbelt sufficiently to confine the employee to the protected area provided by the ROPS.

### REQUIRED OF THE OPERATOR

1. Securely fasten seatbelt if the tractor has a ROPS.
2. Where possible, avoid operating the tractor near ditches, embankments, and holes.
3. Reduce speed when turning, crossing slopes, and on rough, slick, or muddy surfaces.
4. Stay off slopes too steep for safe operation.
5. Watch where you are going - especially at row ends, on roads, and around trees.
6. Do not permit others to ride.
7. Operate the tractor smoothly - no jerky turns, starts, or stops.
8. Hitch only to the drawbar and hitch points recommended by the tractor manufacturer.
9. When the tractor is stopped, set brakes securely and use park lock, if available.



**Keep children away from danger all day, every day...**



**Equip tractors with rollover protection (ROPS) and keep all machinery guards in place...**



**Please work, drive, play and live each day with care and concern for your safety and that of your family and fellow citizens.**

